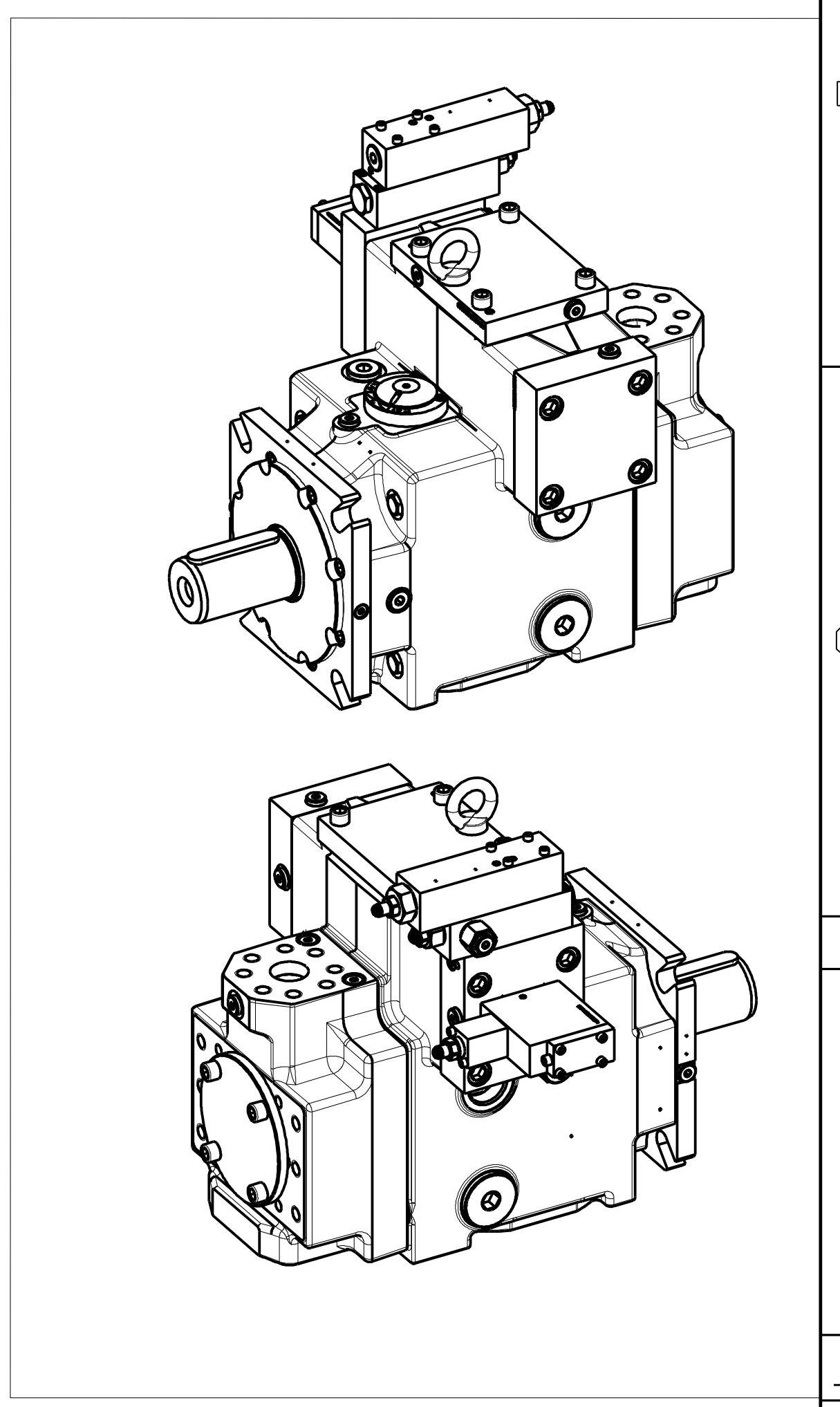
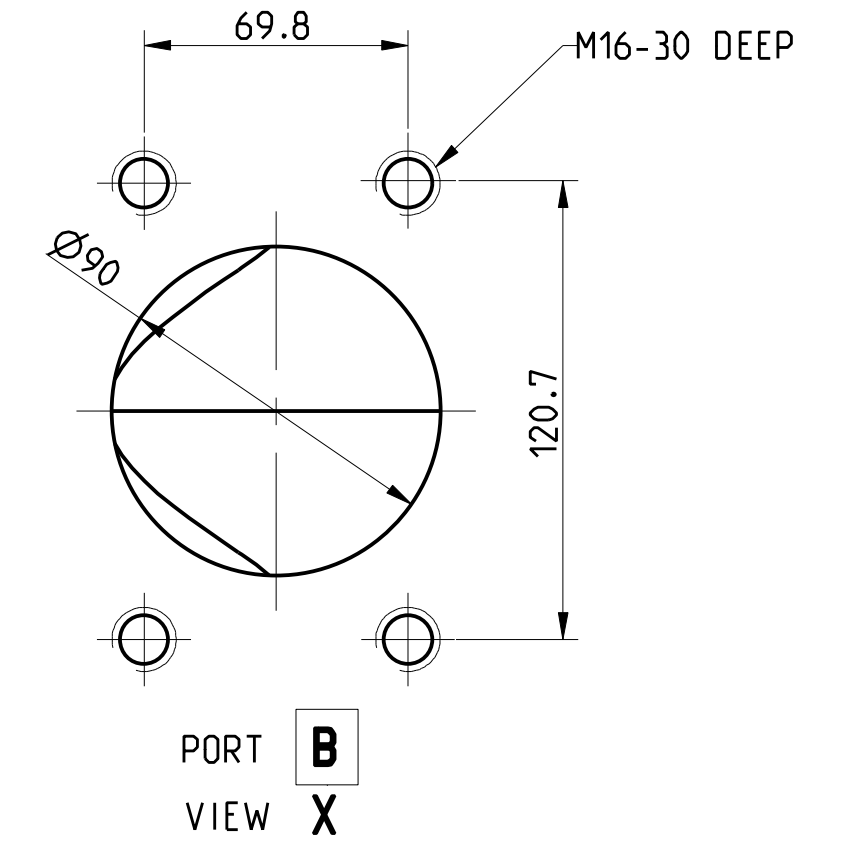
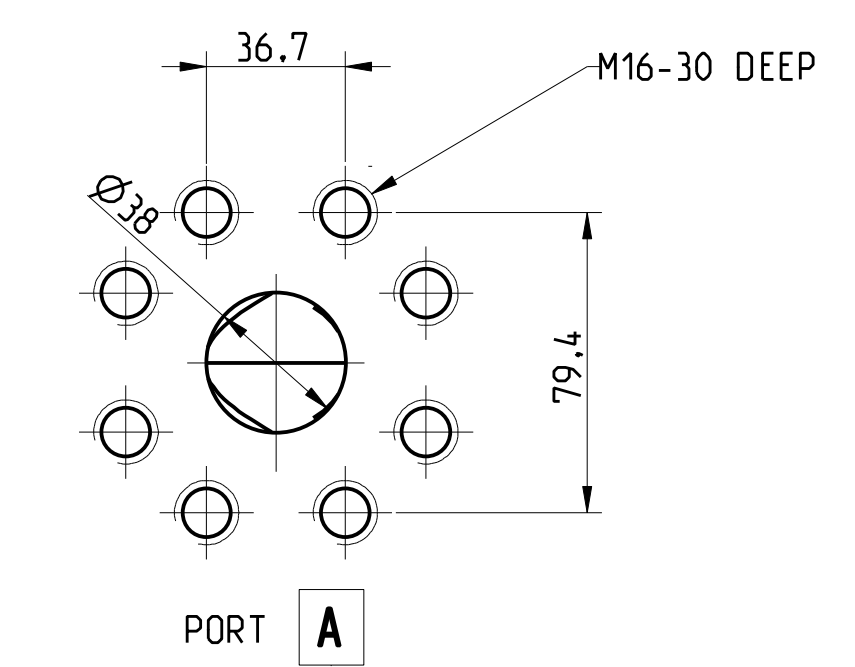
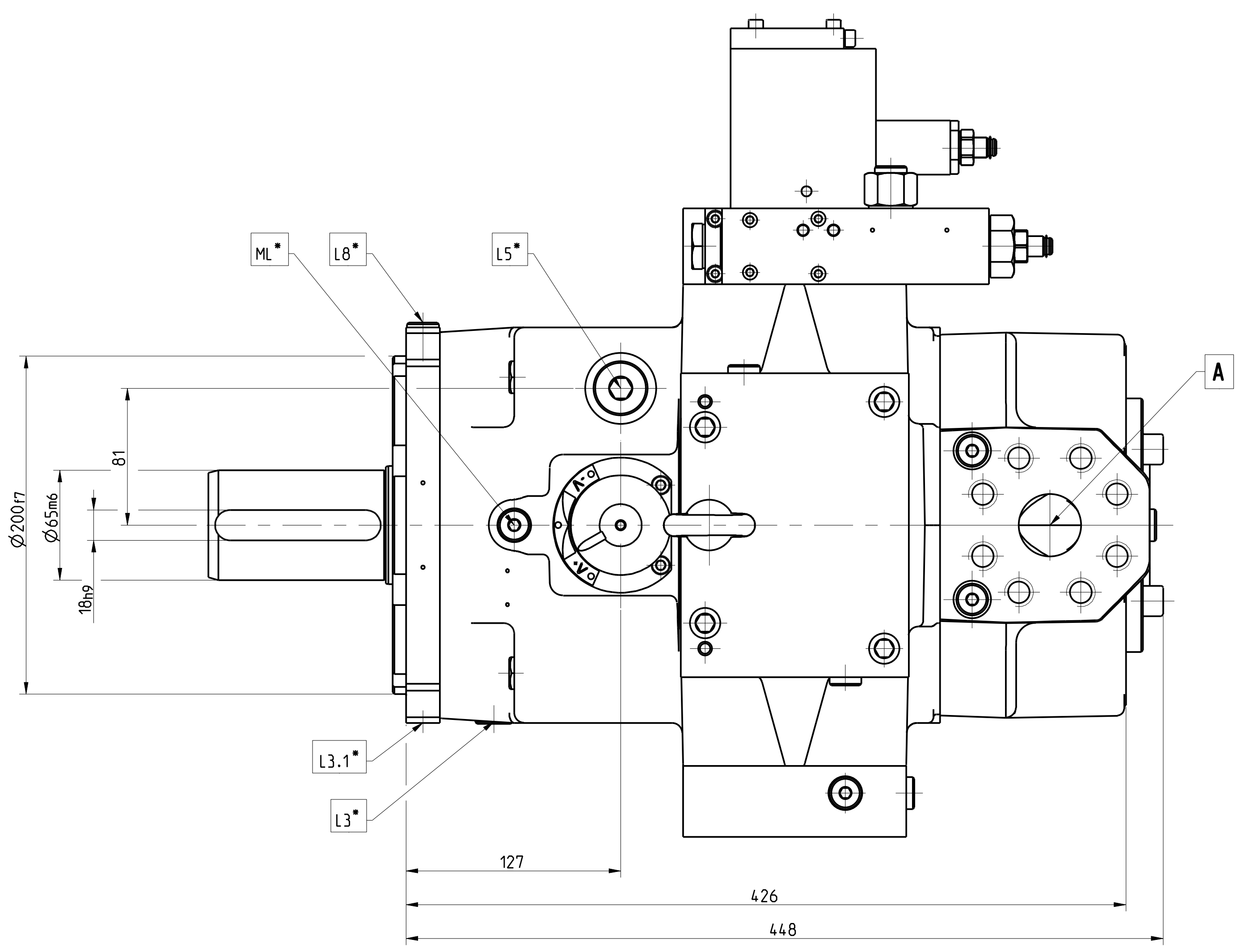
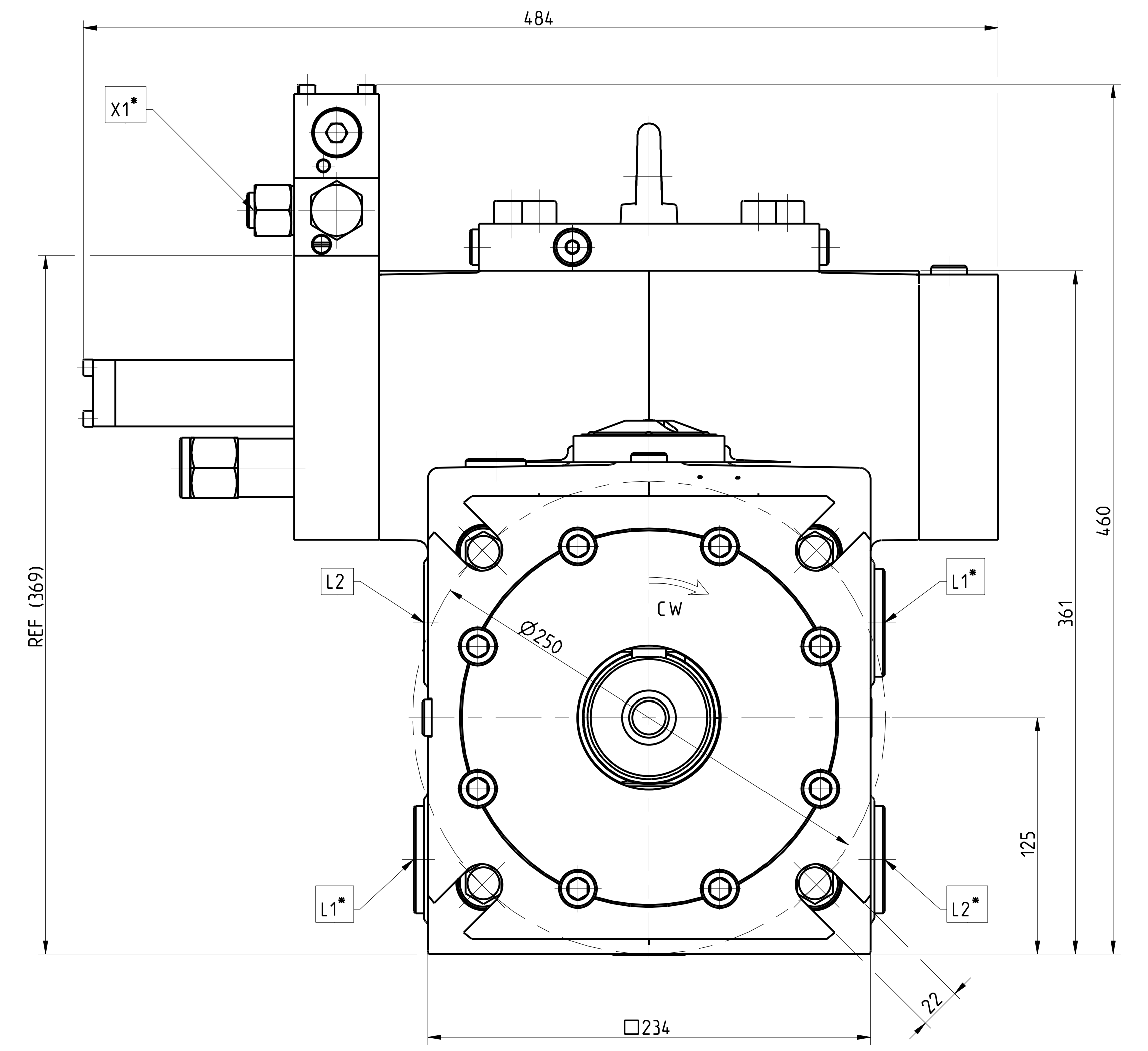
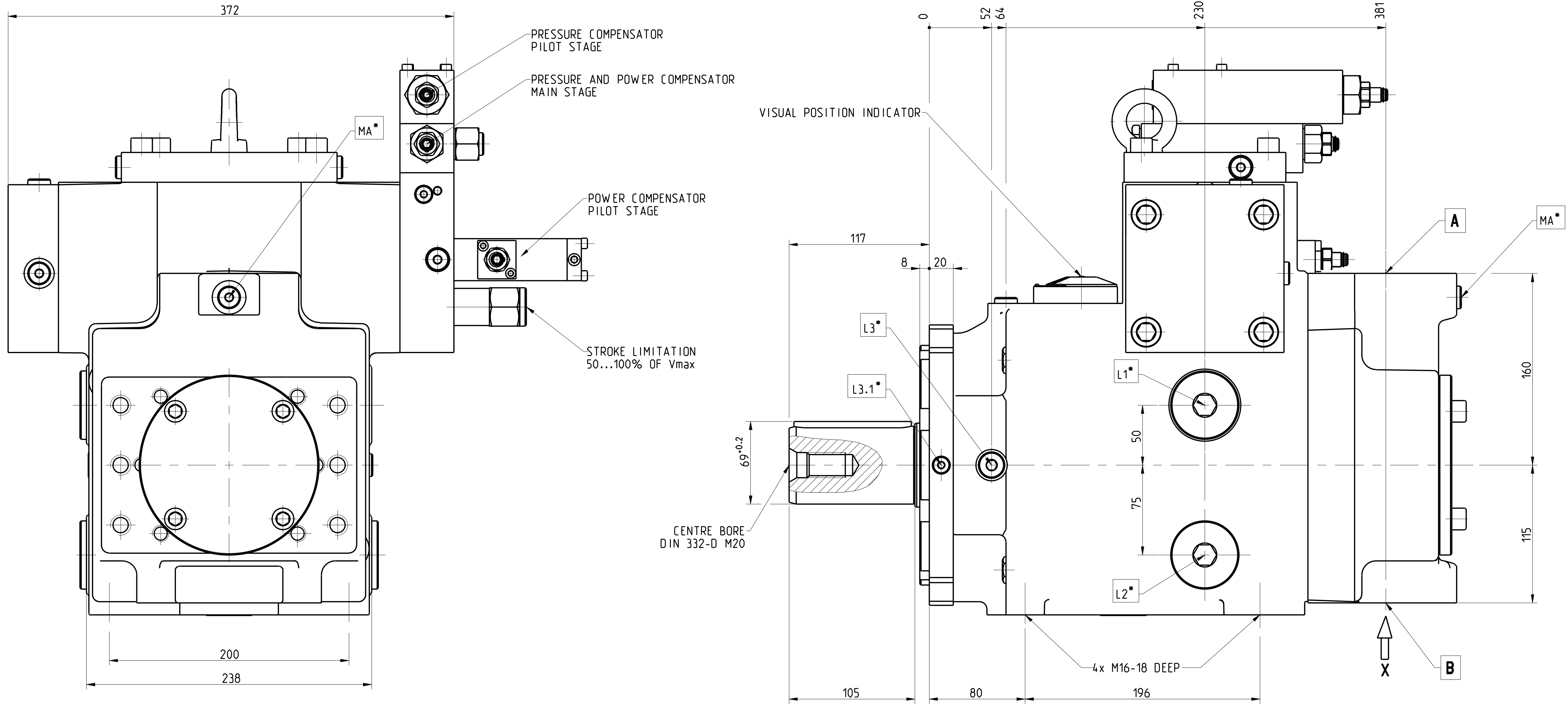


CAE DRAWING *** DO NOT CHANGE ORIGINAL				
REVISIONS				
ZONE	LTR	DESCRIPTION	DATE	APPROVED
C		ENGINEERING RELEASE	28Mar13	J.Vollberg
D		DRAWING REVISED	15Apr14	P.Vollberg



- [A] SYSTEM PRESSURE PORT SAE 1 1/2" - 6000 PSI
- [B] INLET PRESSURE PORT SAE 3 1/2" - 500 PSI
- [L1] DRAIN PORT G 1 5/8"-12 UNF-2B (ACCORDING TO MOUNTING POSITION USE UPPER PORT)
- [L2] DRAIN PORT G 1 1/4" (ACCORDING TO MOUNTING POSITION USE UPPER PORT)
- [L3] VENTILATION PORT FOR VERTICAL MOUNTING G 3/8" (SHAFT UPWARDS)
- [L3.1] PORT G 1/8"
- [L5] OIL FILLING PLUG G 1 1/16"-12 UNF-2B
- [L6] AIR BLEEDING PORT G 1/4"
- [MA] GAUGE PORT SYSTEM PRESSURE G 1/4"
- [ML] GAUGE PORT CASE PRESSURE G 1/4"
- [X1] REMOTE PORT PRESSURE COMPENSATOR. G1/4"-12.5 DEEP
- [...] CONNECTION WITH PLUG

DIRECTION OF ROTATION	CONTROL	INPUT	OUTPUT
RIGHT HAND ROTATION	TO +V _{MAX}	B	A

THE REPRODUCTION, DISTRIBUTION, AND UTILIZATION OF THIS DOCUMENT, AS WELL AS THE COMBINING OF ITS CONTENTS TO OTHERS WITHOUT EXPLICIT AUTHORIZATION IS PROHIBITED. OFFENDERS WILL BE HELD LIABLE FOR THE PAYMENT OF DAMAGES. ALL RIGHTS RESERVED IN THE EVENT OF THE GRANT OF A PATENT, UTILITY MODEL, OR DESIGN. (PER ISO 10301)

FIRST ANGLE PROJECTION		REF.	HP
MATERIAL	PROF.	DATE	DATE
HEAT TREATMENT	CONFORMING TO	DATE	DATE

PVWS-360M07R0001R01SVVALR000A200890000000000014		REV.	HC
DRW.	R.Kulndu	28Mar13	
CHK.	I.Hartigad	28Mar13	
TITLE INSTALLATION OF PVWS-360... WITH LR00A20...-CONTROL		SCALE	1:2
SHEET	A0	WEIGHT	
DATE	15Apr14	DESIGNER	D
DRAWING NO. HC056172055514		SHEET 1 OF 4	

H G F E D C B A

HC056172055514 1/0