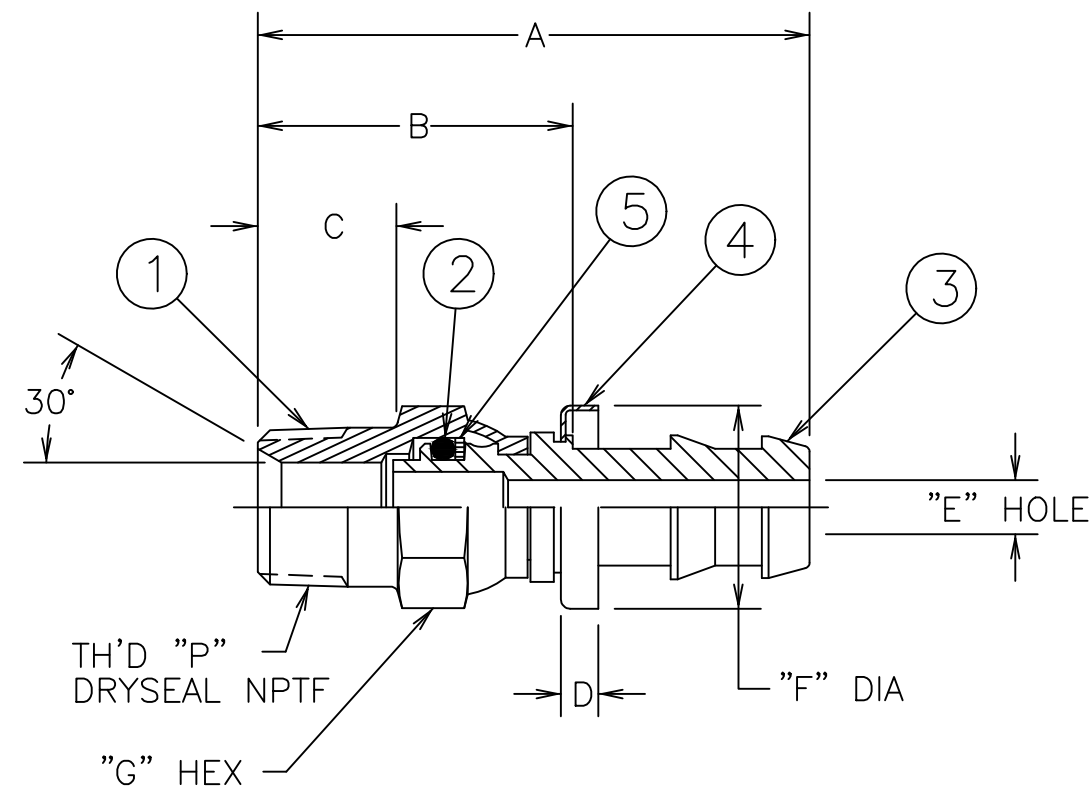


PART NUMBER	TH'D "P"	A REF	B REF	C REF	D REF	E REF	F ±.010	G REF
FJ9068-0404S	1/4-18	2.19	1.43	.56	.16	.17	.615	.75
FJ9068-0606S	3/8-18	2.30	1.43	.56	.16	.30	.725	.88
FJ9068-0808S	1/2-14	2.69	1.68	.75	.16	.39	.870	.94

REVISIONS			
REV.	DESCRIPTION	DATE	APPROVED
F	REDRAWN ON CAD - LAST REV. "E"	3-23-92	EN-F12791 ER-F12791
G	(1) NOTE #1 WAS: "ASSEMBLE NUT PER ACES 1831 AND 100% INSPECT TO INSURE NUT SWIVELS"	6-12-92 T.A.B.	EN-F13142 DAI-24198



FJ9068-0808S	221033-8-8S	22550-113	FC1087-0808S	4213-1-8B	22049-113
FJ9068-0606S	221033-6-6S	22550-112	FC1087-0606S	4213-1-6B	FF9686-06
FJ9068-0404S	221033-4-4S	22550-110	FC1087-0404S	4213-1-4B	FF9686-04
PART NUMBER	① NUT	② O'RING	③ NIPPLE	④ HOSE CAP	⑤ BACK-UP RING

LIST OF MATERIALS

ITEM NO.	MATERIAL	DRAWN TERRY BAKER	DATE 3-23-92	FLUID CONVEYANCE DIVISION	
1	STEEL	CHECKED R.D. GARRETT <td>DATE 3-25-92 <td colspan="2" rowspan="5"> DRAWING TITLE FITTING ASSEMBLY MALE PIPE SWIVEL, 2556 HOSE SIZE (CAGE) CODE NO. DRAWING NUMBER C 01276 FJ9068-S SHEET </td> </td>	DATE 3-25-92 <td colspan="2" rowspan="5"> DRAWING TITLE FITTING ASSEMBLY MALE PIPE SWIVEL, 2556 HOSE SIZE (CAGE) CODE NO. DRAWING NUMBER C 01276 FJ9068-S SHEET </td>	 DRAWING TITLE FITTING ASSEMBLY MALE PIPE SWIVEL, 2556 HOSE SIZE (CAGE) CODE NO. DRAWING NUMBER C 01276 FJ9068-S SHEET	
2	NITRILE (BUNA-N)	APPROVED R.D. GARRETT <td>DATE 3-25-92 </td>	DATE 3-25-92		
3	STEEL	RELEASED EN-F12791 <td>DATE 3-25-92 </td>	DATE 3-25-92		
4	BRASS	PROJECT NO. ER-F12791 <td>APC NO. </td>	APC NO.		
5	TEFLON	DESIGN APPROVED <td></td>			
		APPROVED		U	

1. ASSEMBLE NUT PER ACES 2409 AND 100% INSPECT TO INSURE NUT SWIVELS.

①