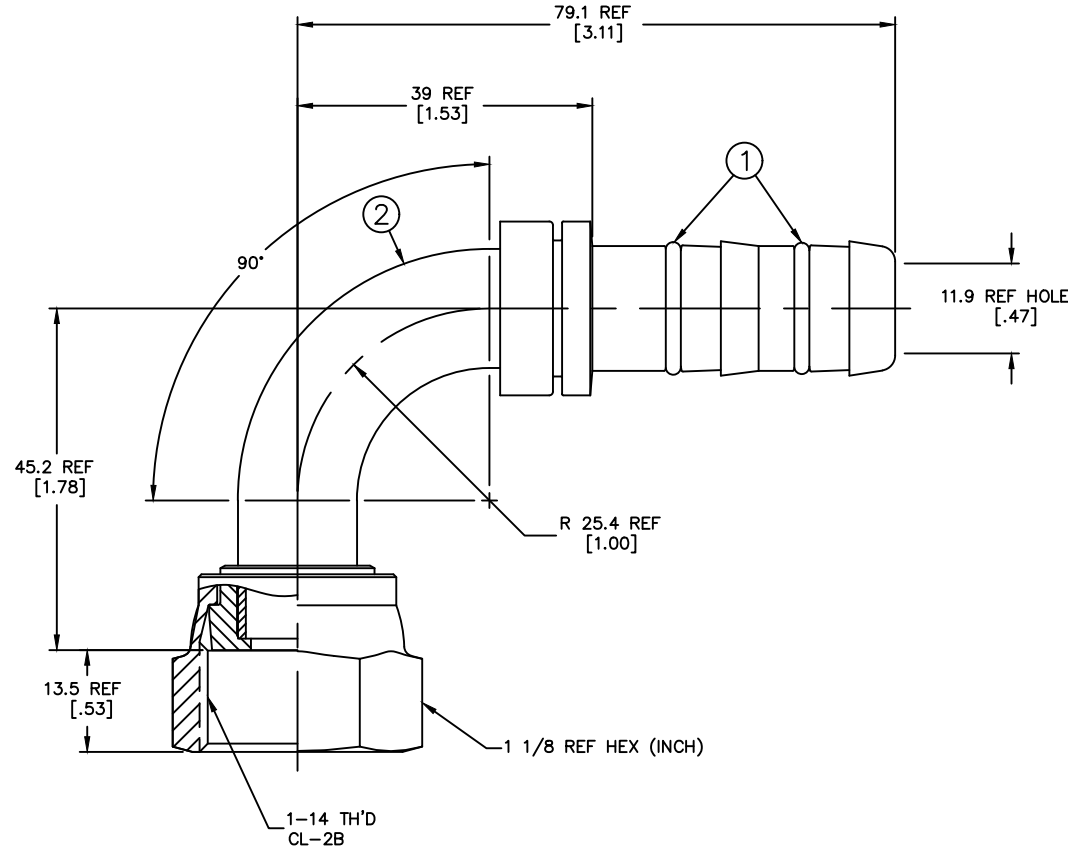


REVISIONS			
REV	DESCRIPTION	DATE	APPROVED
A	(1) "FJ4994-05-1012S" WAS "FW4994-05-1012S"	2000-12-04 RDW	EN-F21018 DP-24901



- 2. DIMENSIONS ARE IN MILLIMETERS [INCHES].
- 1. LUBRICATE O-RINGS AND ASSEMBLE ON NIPPLE AS SHOWN.

METRIC

FJ5994-05-1012S	1F40106-12	FJ4994-05-1012S			
AEROQUIP PART NUMBER	① O-RING (2 REQ'D)	② NIPPLE ASSEMBLY			
LIST OF MATERIALS					
ITEM NO.	MATERIAL	DRAWN S. BOHN	FLUID CONVEYANCE DIVISION		
1	HNBR	CHECKED R. D. WEBB	DRAWING TITLE		
2	STEEL	APPROVED R. D. WEBB	FITTING ASSEMBLY		
		RELEASE DATE 2000-11-15	90°, ORS FEMALE SWIVEL		
		EN-F20835	GH134 HOSE		
		DP-1256	SIZE A2	DRAWING NUMBER FJ5994-05-1012S	REV A
		THIRD ANGLE PROJECTION	SCALE 2:1	DIST U	CAGE CODE 01276
		ITEM TYPED TDA			SHEET

EN

REV. A

SH.

DWG. NO. FJ5994-05-1012S