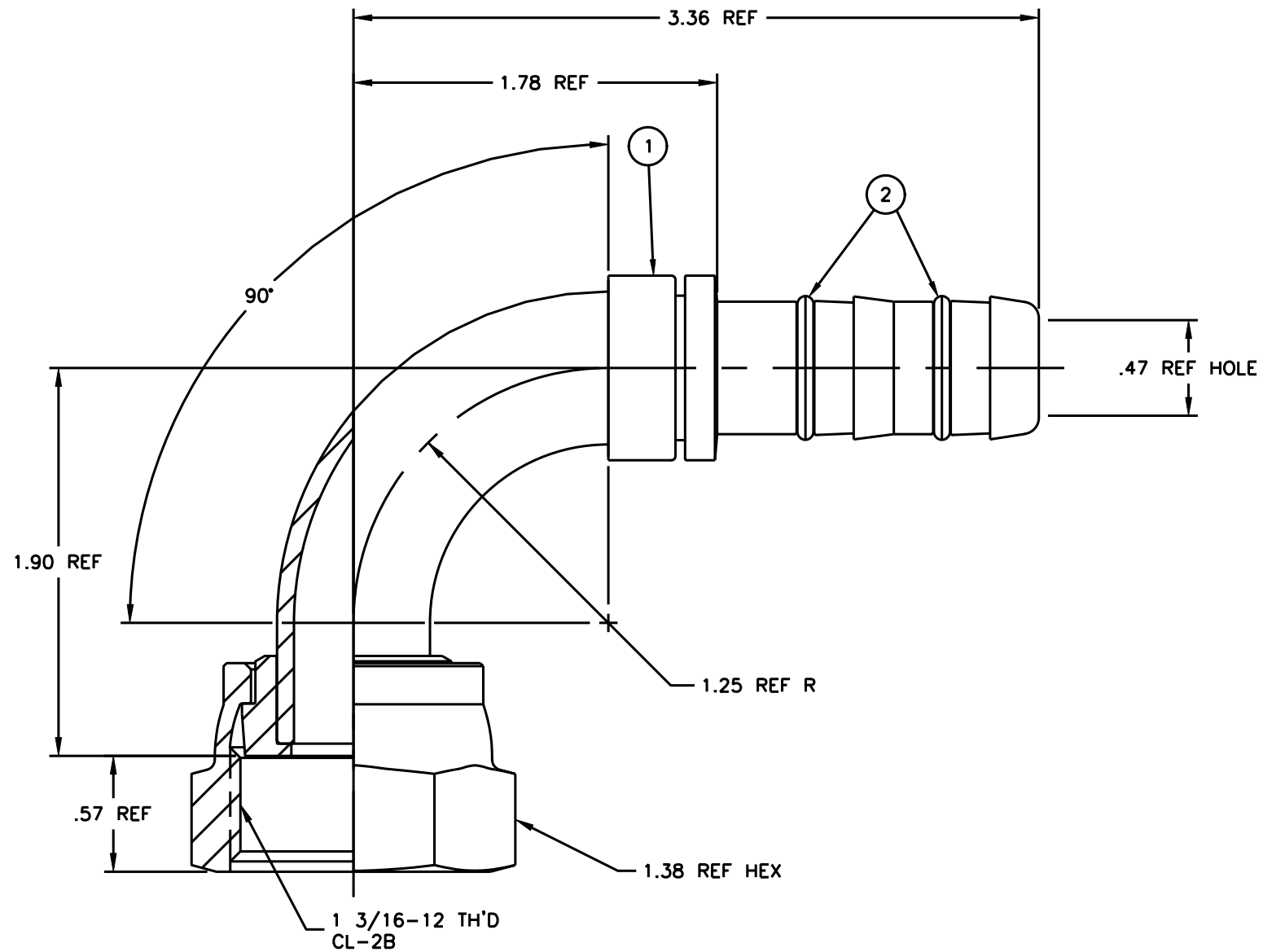


THE REPRODUCTION, DISTRIBUTION AND UTILIZATION OF THIS DOCUMENT, AS WELL AS THE COMMUNICATION OF ITS CONTENTS TO OTHERS WITHOUT EXPLICIT AUTHORIZATION IS PROHIBITED. OFFENDERS WILL BE HELD LIABLE FOR THE PAYMENT OF DAMAGES. ALL RIGHTS RESERVED IN THE EVENT OF THE GRANT OF A PATENT, UTILITY MODEL OR DESIGN. (PER ISO 15016)

REVISIONS			
REV	DESCRIPTION	DATE	APPROVED



INCH

FJ5994-03-1212S	FJ4994-03-1212S	1F40106-12		
AEROQUIP PART NUMBER	① NIPPLE ASSEMBLY	② (2 O-RING REQUIRED)		
LIST OF MATERIALS				
ITEM NO.	MATERIAL	DRAWN T. HARTFORD		
1	STEEL	CHECKED J. BAHNSEN		
2	HNBR	APPROVED J. GRAU		
		RELEASE DATE 1999-09-09		
		EN-F19222		
		DP-1256		
		THIRD ANGLE PROJECTION		
		SIZE A2	DRAWING NUMBER FJ5994-03-1212S	REV
		SCALE 2/1	DIST U	CAGE CODE 01276
			SHEET NO *	

1. PROCESS AS FOLLOWS:
(a) LUBRICATE O-RINGS AND ASSEMBLE TO NIPPLE AS SHOWN.

REV. SH. FJ5994-03-1212S DWG. NO.