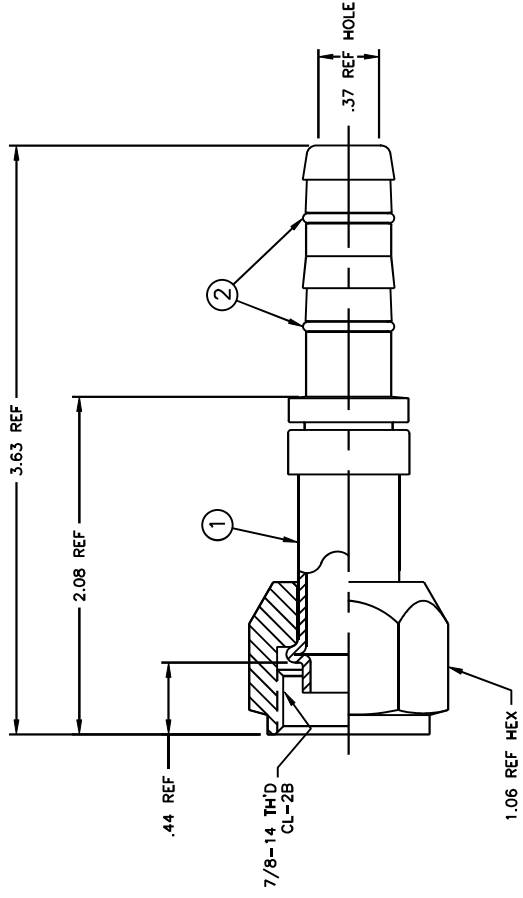


THE INFORMATION CONTAINED HEREIN IS UNCLASSIFIED EXCEPT WHERE SHOWN OTHERWISE. IT IS THE PROPERTY OF THE UNITED STATES GOVERNMENT AND IS LOANED TO YOUR AGENCY. IT AND ITS CONTENTS ARE NOT TO BE DISTRIBUTED OUTSIDE YOUR AGENCY.

REV	DESCRIPTION	DATE	APPROVED
A	INITIAL RELEASE OF PROTOTYPES FOR PRODUCTION DRAWING FJ5984-1010S REV "NONE" (1) ADDED "(2 REQUIRED)"	1999-08-12	EN-19170 DP-1256

REV	DESCRIPTION	DATE	APPROVED
SM			
A			



EDM

GROUP	DESCRIPTION	QTY	REF
FJ5984-1010S	FJ4984-1010S	1	(1)
ASSEMBLY	NIPPLE	2	(2)
	O-RING	2	(2)

ITEM NO.	MATERIAL
1	STEEL
2	HNBR

1. PROCESS AS FOLLOWS:
(a) LUBRICATE O-RINGS, AND ASSEMBLE ON NIPPLE AS SHOWN.

DRAWN: J. HARTFORD
 CHECKED: J. BANNISEN
 APPROVED: J. GRAU
 RELEASE DATE: 1999-08-25
 EN-19170
 DP-1256
 ITEM TYPE: DTZTA
 SCALE: 2/1
 CASE CODE: 01276
 SHEET NO: *

DRAWING TITLE: FITTING ASSEMBLY
 FEMALE O-RING PILOT (SHORT),
 GHT.34 HOSE
 SIZE: A2
 DRAWING NUMBER: FJ5984-1010S
 REV: A

DEANFIELD FLUID CONVEYANCE DIVISION
 FJ5984-1010S

