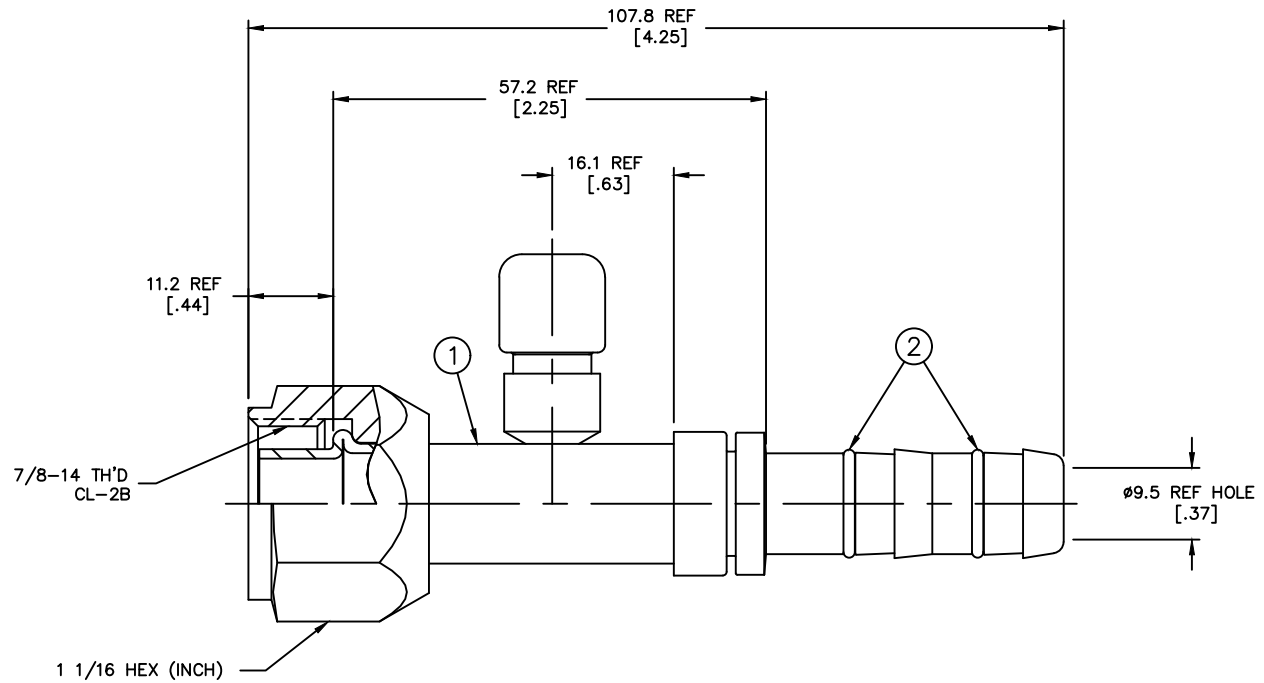


REVISIONS			
REV	DESCRIPTION	DATE	APPROVED



METRIC

- 2. DIMENSIONS ARE IN MILLIMETERS [INCHES].
- 1. LUBRICATE O'RINGS AND ASSEMBLE TO NIPPLE AS SHOWN.

FJ3416-01-1010S	FJ2416-01-1010S	1F40106-10			
AEROQUIP PART NUMBER	① NIPPLE ASSEMBLY	② O'RING (2 REQ'D)			
LIST OF MATERIALS					
ITEM NO.	MATERIAL	DRAWN D. SNYDER	FLUID CONVEYANCE DIVISION DRAWING TITLE FITTING ASSEMBLY FEMALE O'RING PILOT (LONG), WITH SWITCH PORT, GH134 HOSE		
1	STEEL	CHECKED W.R. HYDE			
2	HNBR	APPROVED D. SHOWALTER			
		RELEASE DATE 2001-09-18			
		EN-F22172 DP-1256			
		THIRD ANGLE PROJECTION	SIZE A2	DRAWING NUMBER FJ3416-01-1010S	REV
		ITEM TYPE:	SCALE 2/1	DIST U	CAGE CODE 01276
				SHEET	

DWG. NO. FJ3416-01-1010S SH. REV.