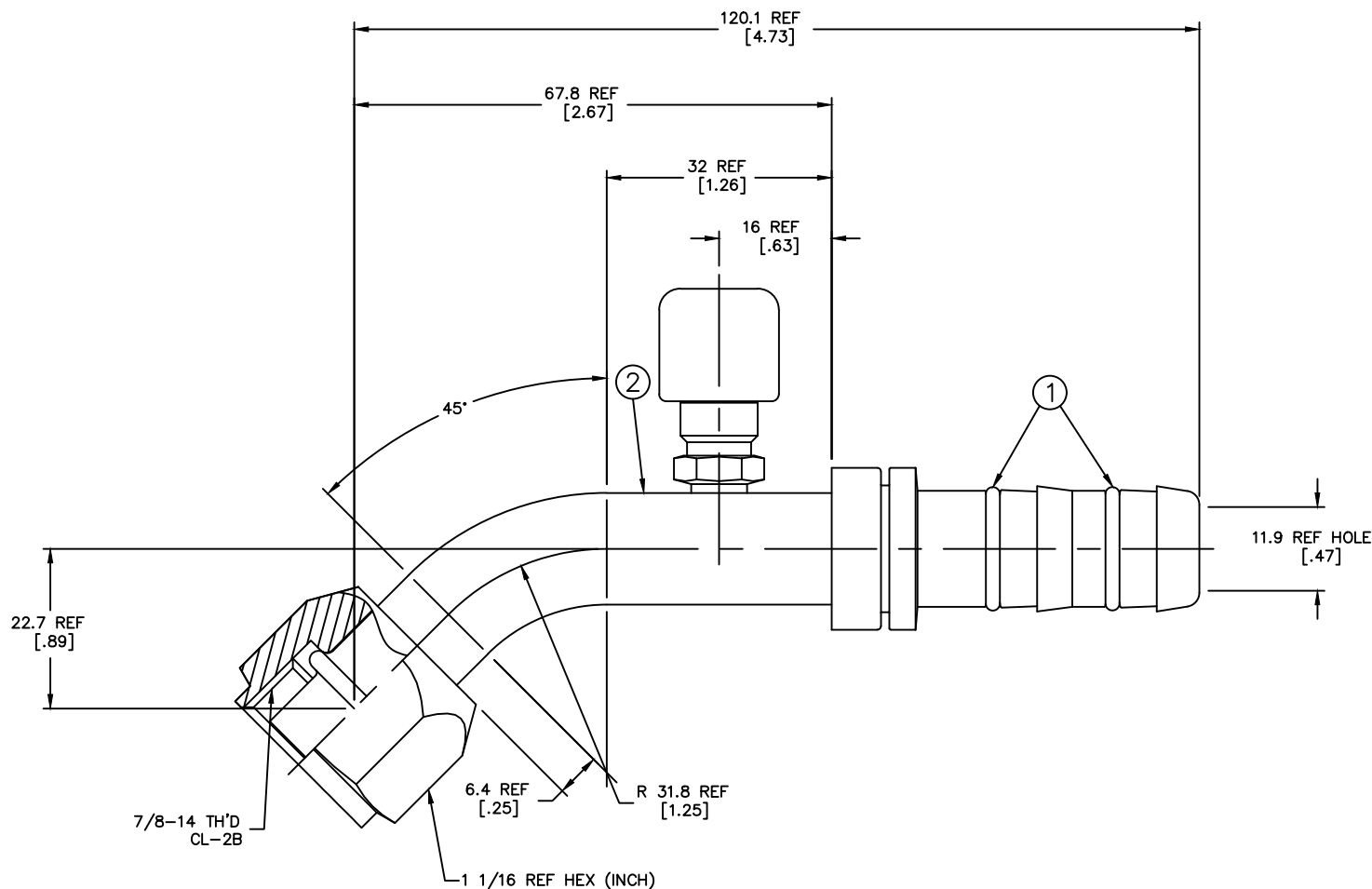


REVISIONS			
REV	DESCRIPTION	DATE	APPROVED
A	(1) WAS FJ3230-02-01012S	2000-11-10 RDW	EN-F20860 DP-24901



METRIC

- 2. DIMENSIONS ARE IN MILLIMETERS [INCHES].
- 1. LUBRICATE O-RINGS AND ASSEMBLE TO NIPPLE AS SHOWN.

FJ3230-02-1012S	1F40106-12	FJ2230-02-1012S			
AEROQUIP PART NUMBER	① O-RING (2 REQ'D)	② NIPPLE ASSEMBLY			
LIST OF MATERIALS					
ITEM NO.	MATERIAL	DRAWN	FLUID CONVEYANCE DIVISION		
1	HNBR	S. BOHN			
2	STEEL	CHECKED			
		R. D. WEBB			
		APPROVED			
		K. LUDWIG	DRAWING TITLE		
		RELEASE DATE	FITTING ASSEMBLY		
		2000-10-26	45°, FEMALE O-RING PILOT (LONG),		
		EN-F20755	WITH SWITCH PORT, GH134 HOSE		
		DP-1256	SIZE	DRAWING NUMBER	REV
		THIRD ANGLE PROJECTION	A2	FJ3230-02-1012S	A
		ITEM TYPED TSA	SCALE 2:1	DIST U	CAGE CODE 01276
					SHEET

DWG. NO. FJ3230-02-1012S REV. C A SH. 1