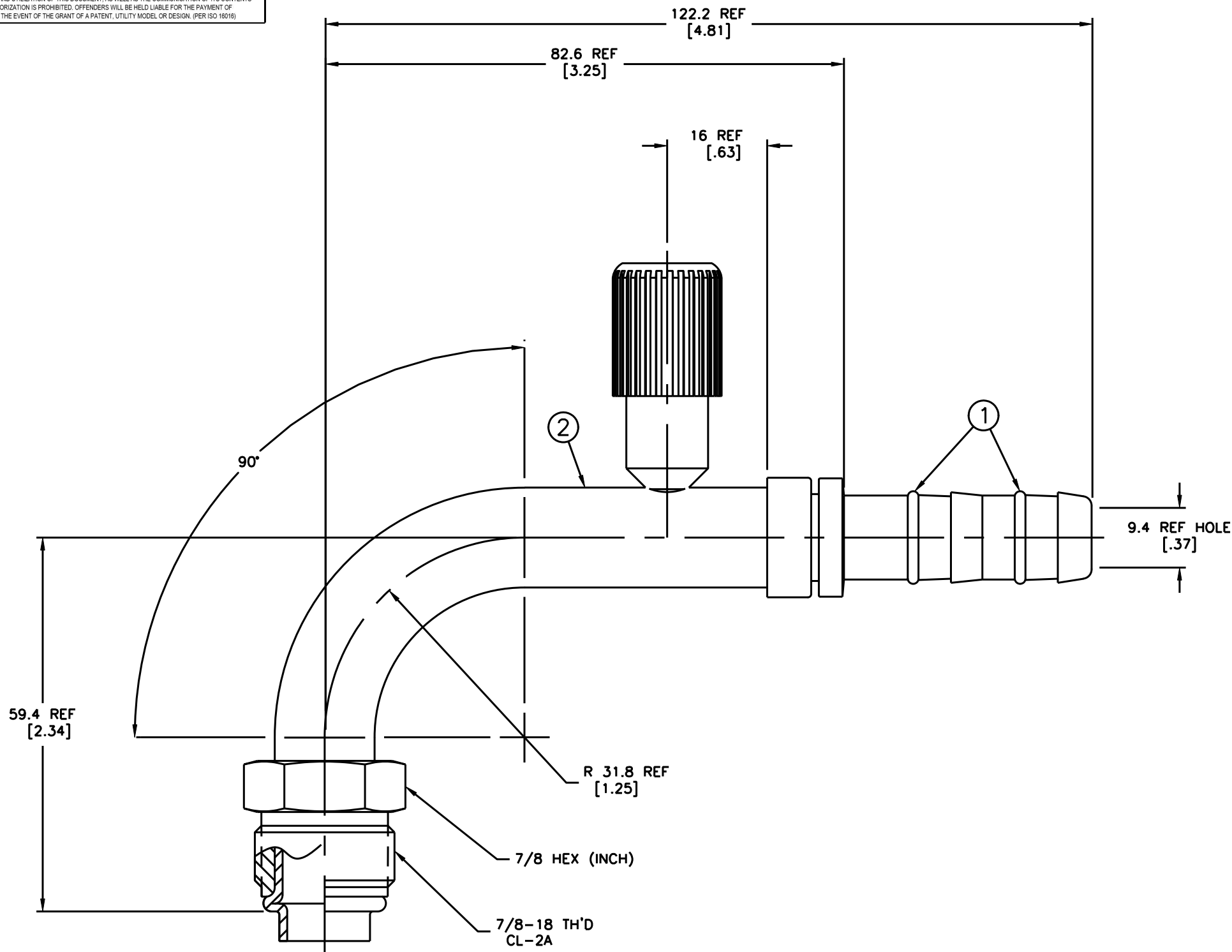


THE REPRODUCTION, DISTRIBUTION AND UTILIZATION OF THIS DOCUMENT, AS WELL AS THE COMMUNICATION OF ITS CONTENTS TO OTHERS WITHOUT EXPLICIT AUTHORIZATION IS PROHIBITED. OFFENDERS WILL BE HELD LIABLE FOR THE PAYMENT OF DAMAGES. ALL RIGHTS RESERVED IN THE EVENT OF THE GRANT OF A PATENT, UTILITY MODEL OR DESIGN. (PER ISO 18016)



REVISIONS			
REV	DESCRIPTION	DATE	APPROVED

METRIC

REV. SH. DWG. NO. FJ3135-01-1010S

2. DIMENSIONS ARE IN MILLIMETERS [INCHES].
1. LUBRICATE O'RINGS AND ASSEMBLE TO NIPPLE AS SHOWN.

FJ3135-01-1010S	1F40106-10	FJ2135-01-1010S			
AEROQUIP PART NUMBER	① O'RING (2 REQ'D)	② NIPPLE ASSEMBLY			
LIST OF MATERIALS					
ITEM NO.	MATERIAL	DRAWN	Danfoss FLUID CONVEYANCE DIVISION		
1	HNBR	R. KELLY	DRAWING TITLE FITTING ASSEMBLY 90°, MALE O'RING PILOT (SHORT), WITH LOW SIDE CHARGE PORT, GH134 HOSE		
2	STEEL	R. D. WEBB			
		APPROVED R.D.GARRETT	SIZE	DRAWING NUMBER	REV
		RELEASE DATE 2000-06-15	A2	FJ3135-01-1010S	
		EN-F20184 DP-1256	SCALE	DIST	CAGE CODE
		THIRD ANGLE PROJECTION	2/1	U	01276
		ITEM TYPE: DTSA			SHEET