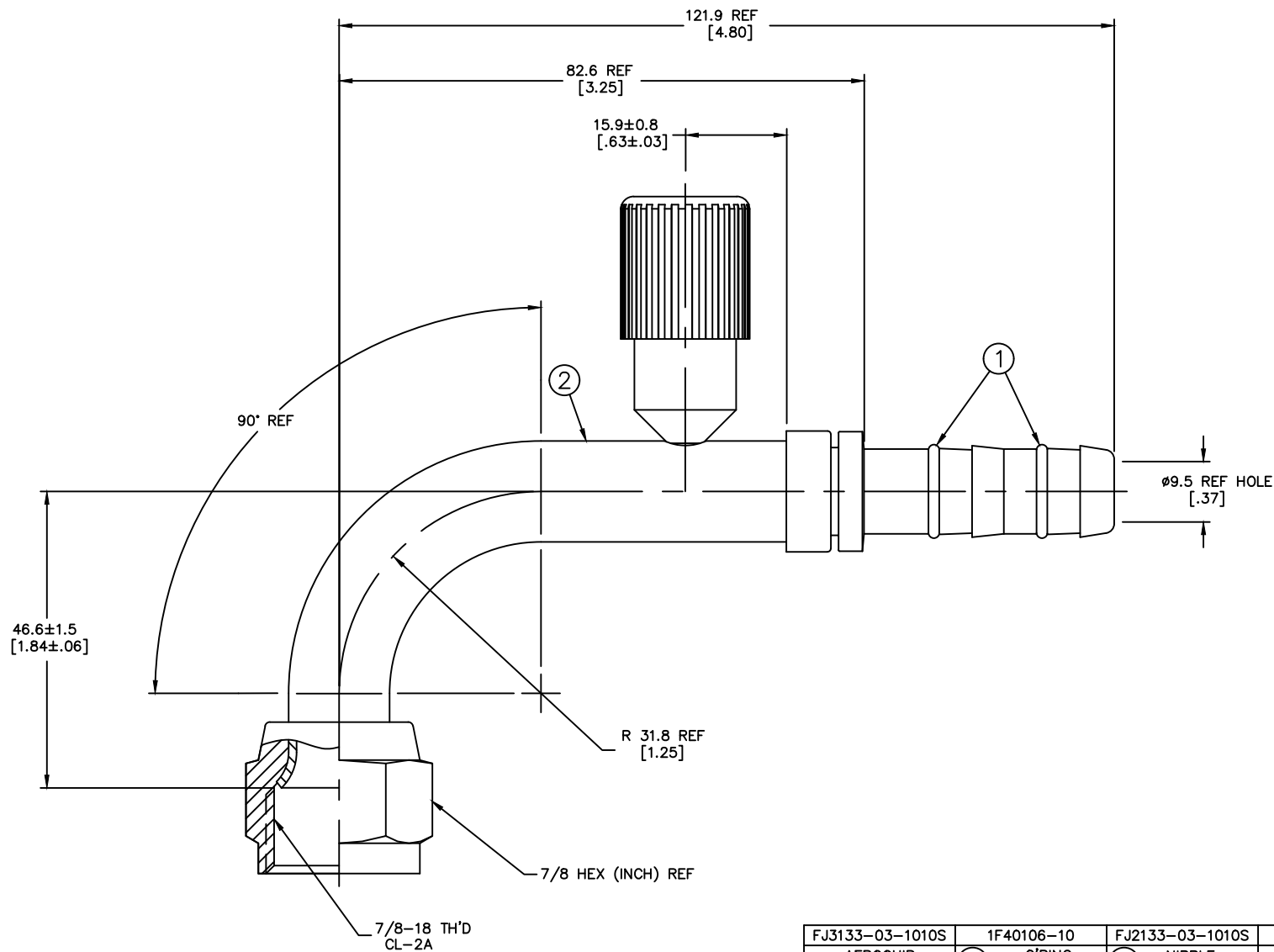


REVISIONS			
REV	DESCRIPTION	DATE	APPROVED



METRIC

2. DIMENSIONS ARE IN MILLIMETERS [INCHES].

1. LUBRICATE O'RINGS AND ASSEMBLY TO NIPPLE AS SHOWN.

FJ3133-03-1010S	1F40106-10	FJ2133-03-1010S		
AEROQUIP PART NUMBER	① O'RING (2 REQ'D)	② NIPPLE ASSEMBLY		
LIST OF MATERIALS				
ITEM NO.	MATERIAL	DRAWN R. KELLY	FLUID CONVEYANCE DIVISION DRAWING TITLE <b>FITTING ASSEMBLY</b> 90°, SAE FEMALE O'RING PILOT (SHORT), WITH HIGH SIDE CHARGE PORT, UNIVERSAL SWIVEL, GH134 HOSE	
1	HNBR	CHECKED R. D. WEBB		
2	STEEL	APPROVED B. THOMAS	SIZE A2	DRAWING NUMBER FJ3133-03-1010S
		RELEASE DATE 2000-07-10	SCALE 2/1	DIST U
		EN-F19986	CAGE CODE 01276	SHEET
		DP-1256		
		THIRD ANGLE PROJECTION		
		ITEM TYPED TSA		

DWG. NO. FJ3133-03-1010S