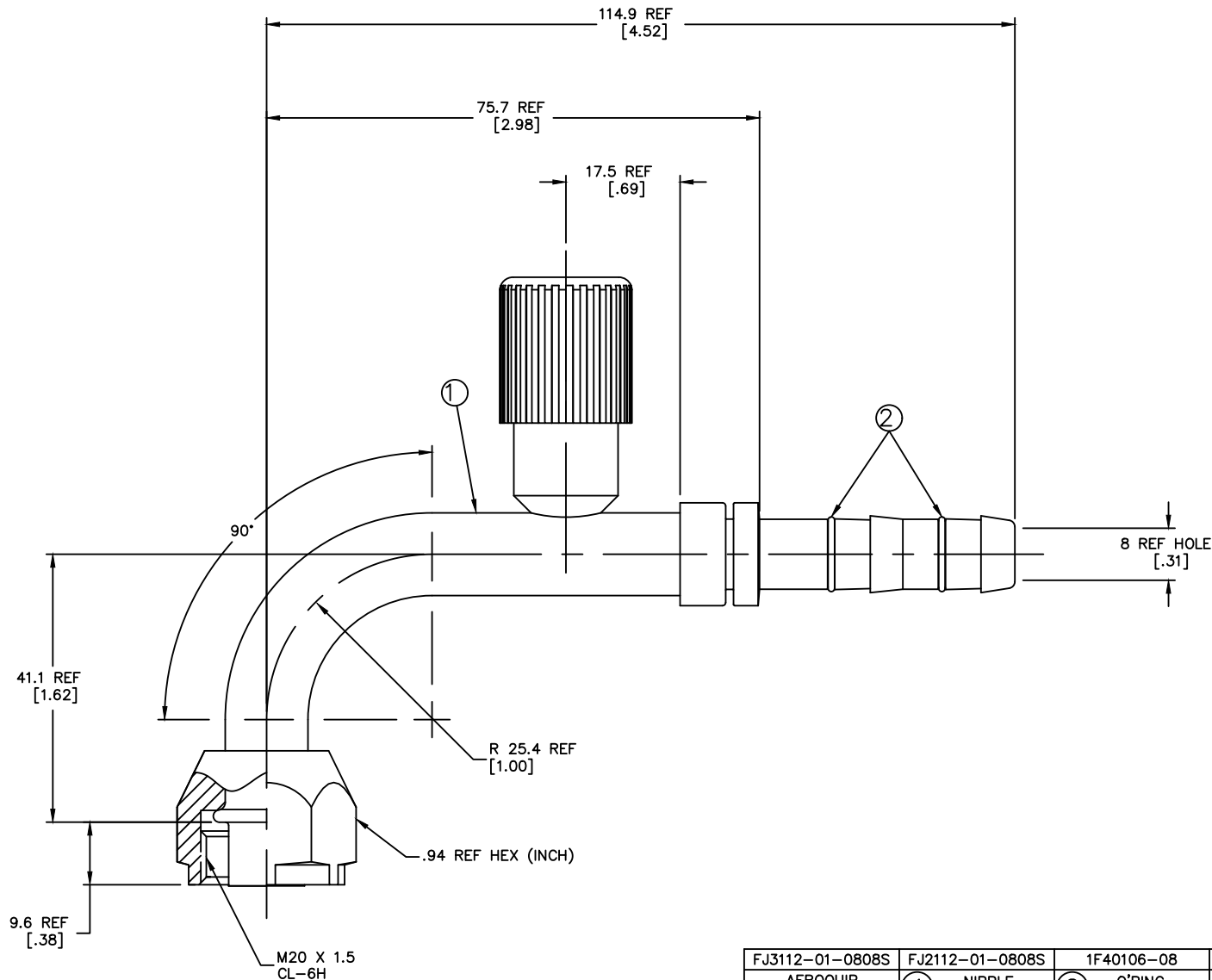


REVISIONS			
REV	DESCRIPTION	DATE	APPROVED



2. DIMENSIONS ARE IN MILLIMETERS [INCHES].
1. LUBRICATE O-RINGS AND ASSEMBLY TO NIPPLE AS SHOWN.

FJ3112-01-0808S	FJ2112-01-0808S	1F40106-08			
AEROQUIP PART NUMBER	① NIPPLE ASSEMBLY	② O-RING (2 REQ'D)			
LIST OF MATERIALS					
ITEM NO.	MATERIAL	DRAWN	DRAWING TITLE		
1	STEEL	W.R.HYDE	FLUID CONVEYANCE DIVISION DRAWING TITLE FITTING ASSEMBLY 90° FEMALE O-RING PILOT (LONG), WITH HIGH SIDE CHARGE PORT, GH134 HOSE		
2	HNBR	CHECKED			
		J. BAHNSEN			
		APPROVED			
		J. BAHNSEN	SIZE	DRAWING NUMBER	REV
		RELEASE DATE	A2	FJ3112-01-0808S	
		2000-01-12	SCALE	DIST	CAGE CODE
		EN-F19598	2:1	U	01276
		DP-1256			SHEET NO
		THIRD ANGLE PROJECTION			
		ITEM TYPE: D TSA			

DWG. NO. FJ3112-01-0808S SH. REV.