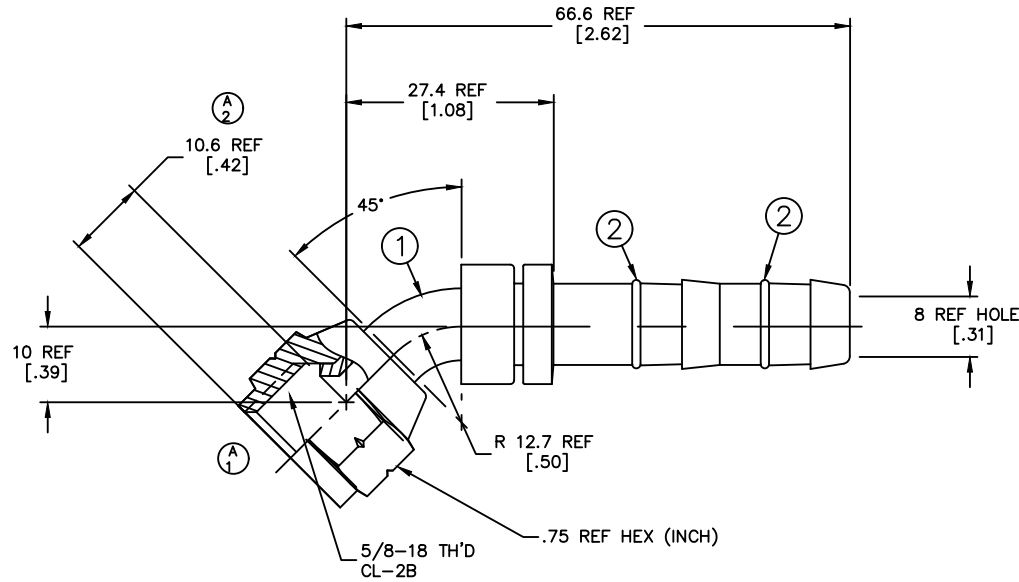


REVISIONS			
REV	DESCRIPTION	DATE	APPROVED
A	(1) REMOVED 45° DIMENSION (2) 10.6 REF [.42] WAS 11.2 REF [.44]	2000-01-27 JJB	EN-F19668 DP-1256



METRIC

- DIMENSIONS ARE IN MILLIMETERS [INCHES].
- LUBRICATE O-RINGS AND ASSEMBLE ON NIPPLE AS SHOWN.

AEROQUIP PART NUMBER	FJ2059-02-0608S	1F40106-08	
	① NIPPLE ASSEMBLY	② O-RING (2 REQUIRED)	
LIST OF MATERIALS			
ITEM NO.	MATERIAL	DRAWN I. HARTFORD	FLUID CONVEYANCE DIVISION DRAWING TITLE FITTING ASSEMBLY 45°, SAE 45° SWIVEL, GH134 HOSE
1	STEEL	CHECKED R. D. GARRETT	
2	HNBR	APPROVED R. D. GARRETT	
		RELEASE DATE 1999-12-21	
		EN-F19523	SIZE A2
		DP-1256	DRAWING NUMBER FJ3059-02-0608S
		THIRD ANGLE PROJECTION	REV A
		ITEM TYPE: DIFA	SCALE 2/1 DIST U CAGE CODE 01276 SHEET NO

DWG. NO. FJ3059-02-0608S REV. A SH.