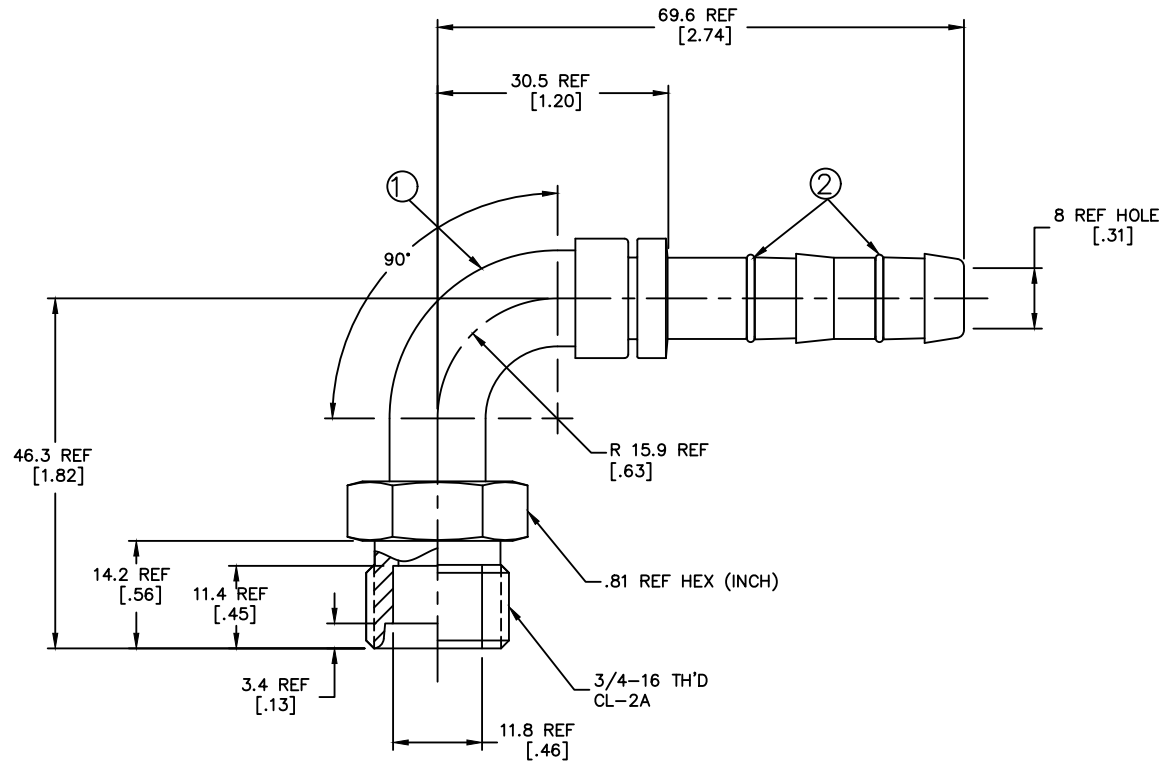


REVISIONS			
REV	DESCRIPTION	DATE	APPROVED



METRIC

- DIMENSIONS ARE IN MILLIMETERS [INCHES].
- LUBRICATE O'RINGS AND ASSEMBLE TO NIPPLE AS SHOWN.

FJ3056-02-0808S	FJ2056-02-0808S	1F40106-08		
AEROQUIP PART NUMBER	① NIPPLE ASSEMBLY	② O'RING (2 REQ'D)		
LIST OF MATERIALS				
ITEM NO.	MATERIAL	DRAWN W.R.HYDE	FLUID CONVEYANCE DIVISION DRAWING TITLE <b>FITTING ASSEMBLY</b> 90° MALE O'RING PILOT (LONG), GH134 HOSE	
1	STEEL	CHECKED R.D.GARRETT		
2	HNBR	APPROVED R.D.GARRETT		
		RELEASE DATE 1999-12-01		
		EN-F19519 DP-1256	SIZE A2	DRAWING NUMBER FJ3056-02-0808S
		THIRD ANGLE PROJECTION	SCALE	DIST U
		ITEM TYPE: TZA	CAGE CODE	01276
			SHEET NO	

DWG. NO. FJ3056-02-0808S