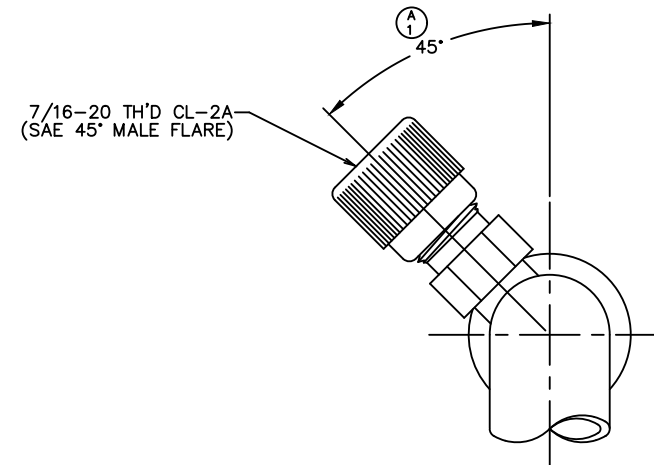
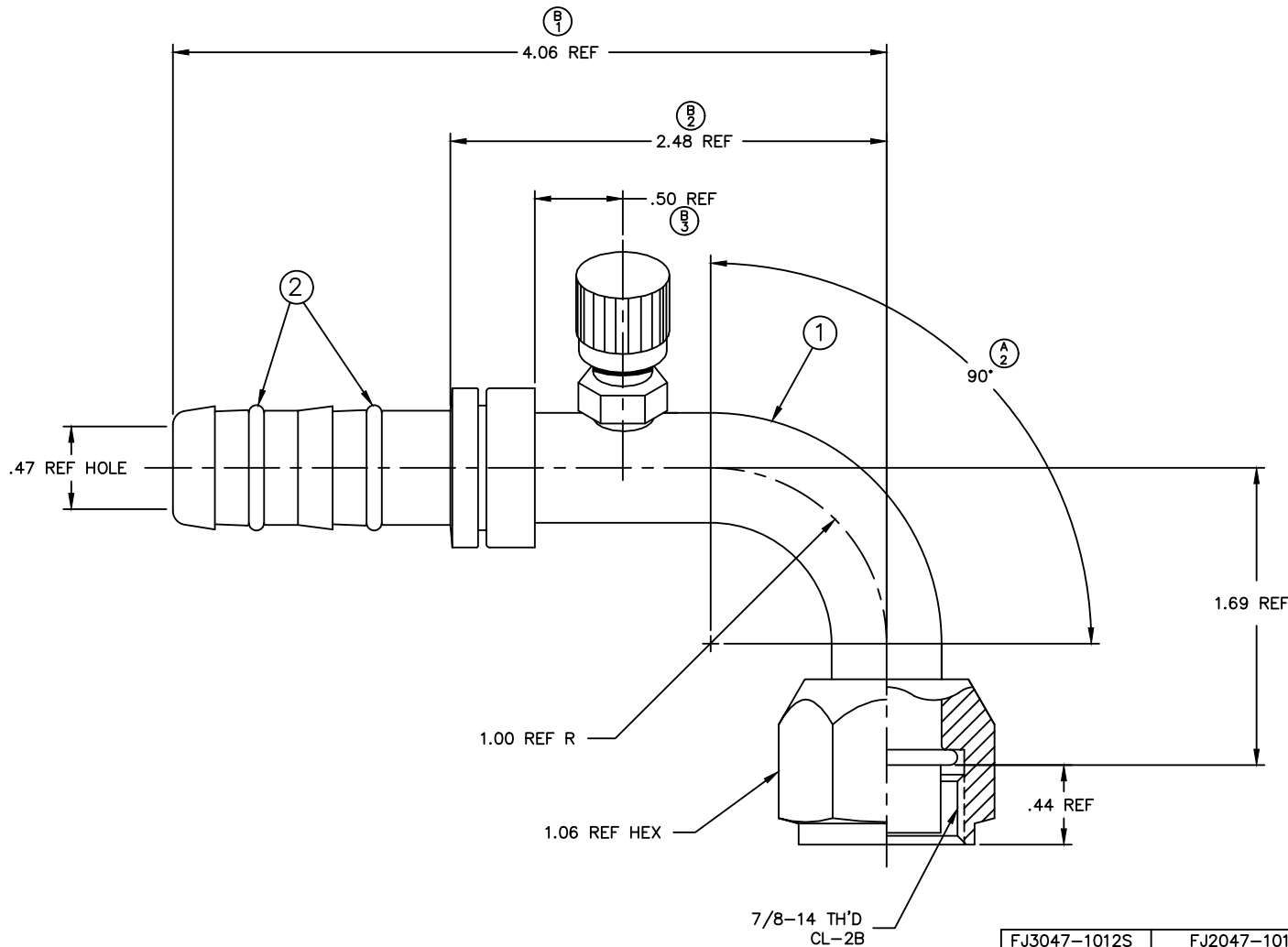


REVISIONS			
REV	DESCRIPTION	DATE	APPROVED
A	(1) 45° WAS 45±1° (2) 90° WAS 90±1° (3) WAS DRAWING TITLE WAS "NIPPLE ASSEMBLY, 90°, FEMALE O'RING PILOT (LONG) WITH CHARGE PORT 1503 HOSE"	1999-10-4 R.D.G.	EN-F19366 DP-24901
B	(1) 4.06 WAS 3.68 (2) 2.48 WAS 2.10 (3) .50 WAS .31	2001-03-08 M.L.G./D.B.	EN-F21440 DP-1299



1. PROCESS AS FOLLOWS:
(a) LUBRICATE O'RINGS AND ASSEMBLE TO NIPPLE AS SHOWN

FJ3047-1012S	FJ2047-1012S	1F40106-12		
AEROQUIP PART NUMBER	① NIPPLE ASSEMBLY	② O'RING (2 REQ'D)		
LIST OF MATERIALS				
ITEM NO.	MATERIAL	DRAWN	FLUID CONVEYANCE DIVISION	
1	STEEL	M. HILVERS	FLUID CONVEYANCE DIVISION DRAWING TITLE ③ FITTING ASSEMBLY 90° FEMALE O'RING PILOT (LONG) WITH CHARGE PORT, GH134 HOSE	
2	HNBR	J. BAHNSEN		
		J. BAHNSEN		
		J. BAHNSEN		
		RELEASE DATE	SIZE	DRAWING NUMBER
		1999-09-23	A2	FJ3047-1012S
		EN-F19204	SCALE	REV
		RPS-5800	2/1	B
		THIRD ANGLE PROJECTION	SCALE	DIST
			2/1	U
		ITEM TYPE: D TSA	CAGE CODE	SHEET NO
			01276	

EN

REV. B

SH.

FJ3047-1012S

DWG. NO.