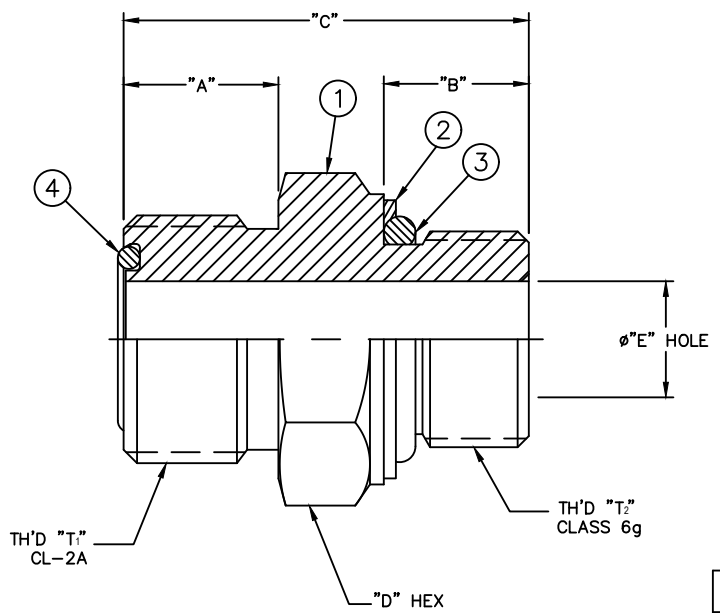


PART NUMBER	TH'D "T ₁ "	TH'D "T ₂ "	A REF	B REF	C REF	D REF (INCH)	E REF
FF2485T0816S	13/16-16	M16 X 1.5	12.8 [.50]	12 [.47]	35.6 [1.40]	7/8	8.5 [.33]
FF2485T0818S	13/16-16	M18 X 1.5	12.8 [.50]	12 [.47]	33.5 [1.32]	15/16	9.6 [.38]
FF2485T0822S	13/16-16	M22 X 1.5	12.8 [.50]	14 [.55]	36.3 [1.43]	1 3/16	9.6 [.38]
FF2485T1226S	1 3/16-12	M26 X 1.5	17 [.67]	15.5 [.61]	44.5 [1.75]	1 7/16	15.5 [.61]
FF2485T1633S	1 7/16-12	M33 X 2	17.5 [.69]	18 [.71]	48 [1.89]	1 5/8	20.6 [.81]

REVISIONS			
REV	DESCRIPTION	DATE	APPROVED
D	REDRAWN. 1) ADDED PART NUMBERS FF2485T0816S & FF2485T0822S	2010-12-29 AJC/AGV	0051270-ECO RPS 25726



FF2485T1633S	FF2485H3-1633S	05.045-37	05.018-217	FF9446-21	
FF2485T1226S	FF2485H3-1226S	05.045-29	05.018-119	FF9446-18	
FF2485T0822S	FF2485H3-0822S	05.045-24	05.018-116	FF9446-14	
FF2485T0818S	FF2485H3-0818S	05.045-20	05.044-15.1X2.6	FF9446-14	
FF2485T0816S	FF2485H3-0816S	05.045-18	05.044-13.1X2.6	FF9446-14	
PART NUMBER	① ADAPTER BODY	② WASHER	③ O'RING	④ O'RING	

LIST OF MATERIALS

ITEM NO.	MATERIAL	DRAWN A. CHAVAN	CHECKED A. VARANKAR	APPROVED S. JACKSON	RELEASE DATE 2010-12-29	0051270-ECO	RPS 25726	SIZE A2	DRAWING NUMBER FF2485T-S	REV D
1	STEEL									
2	STEEL									
3	NITRILE (BUNA-N)									
4	NITRILE (BUNA-N)									

FLUID CONVEYANCE DIVISION

ADAPTER ASSEMBLY
ORS - SPECIAL METRIC CONNECTOR
(MATES WITH DIN 3852 LARGE SPOTFACE)

SCALE: NONE DIST U CAGE CODE: 01276 SHEET: 1

THE REPRODUCTION, DISTRIBUTION AND UTILIZATION OF THIS DOCUMENT AS WELL AS THE COMMUNICATION OF ITS CONTENTS TO OTHERS WITHOUT EXPLICIT AUTHORIZATION IS PROHIBITED. OFFENDERS WILL BE HELD LIABLE FOR THE PAYMENT OF DAMAGES. ALL RIGHT RESERVED IN THE EVENT OF THE GRANT OF A PATENT, UTILITY MODEL OR DESIGN. (PER ISO 16016)

2. ASSEMBLY INCLUDES CAPS.
1. DIMENSIONS ARE IN MILLIMETERS [INCHES].

METRIC

REV. D
SHEET 1
FF2485T-S
DWG. NO.