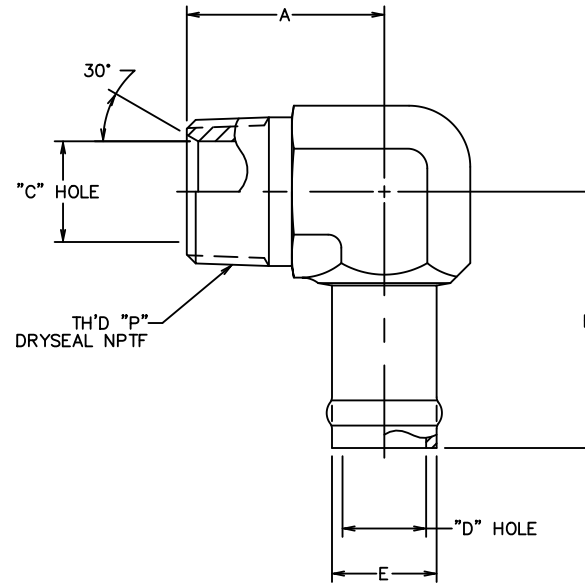


PART NUMBER	TH'D "P"	A REF	B REF	C REF	D REF	E REF
FF1162-0406S	1/4-18	.96	1.54	.28	.30	.37
FF1162-1212S	3/4-14	1.41	1.83	.72	.60	.75
FF1162-1616S	1-11 1/2	1.97	1.94	.94	.87	1.00
FF1162-2020S	1 1/4-11 1/2	1.96	2.15	1.25	1.15	1.25

(A 1) (B 1)

(E 1)

REVISIONS			
REV.	DESCRIPTION	DATE	APPROVED
A	(1) ADDED FF1162-0406S	6-22-93 R.D.G.	EN-F14000 DAI-17511
B	(1) ADDED FF1162-1616S & -2020S (2) REMOVED SHEET 2	12-17-93 RDG	EN-F14464 DAI-17511
C	(1) ADDED SHEET 1 OF 2	8-21-97 R.D.G.	EN-F17159 RPS-1368
D	(1) REMOVED SHEET 1 OF 2	9-23-97 R.D.G.	EN-F17293 DP-1201
E	(1) 1.97 WAS 1.71.	2005-02-28 MM	EN-F27605 DP-1299



(D 1) (C 1) (B 2)

REV. E

SH. 2

FF1162

DWG. NO.

1. MATERIAL: STEEL

DRAWN R.D. GARRETT CHECKED R.D. GARRETT APPROVED R.D. GARRETT RELEASE DATE 1993-06-03 EN-F13912 DAI-17511 THIRD ANGLE PROJECTION	FLUID CONVEYANCE DIVISION DRAWING TITLE ADAPTER 90° MALE PIPE TO MS33660 TYPE "A" HOSE CONNECTION SIZE A2 DRAWING NUMBER FF1162 SCALE * DIST U CAGE CODE 01276 SHEET *	REV E (B 2) (C 1) (D 1)
THE REPRODUCTION, DISTRIBUTION AND UTILIZATION OF THIS DOCUMENT AS WELL AS THE COMMUNICATION OF ITS CONTENTS TO OTHERS WITHOUT EXPLICIT AUTHORIZATION IS PROHIBITED. OFFENDERS WILL BE HELD LIABLE FOR THE PAYMENT OF DAMAGES. ALL RIGHT RESERVED IN THE EVENT OF THE GRANT OF A PATENT, UTILITY MODEL OR DESIGN. (PER ISO 18016)		