

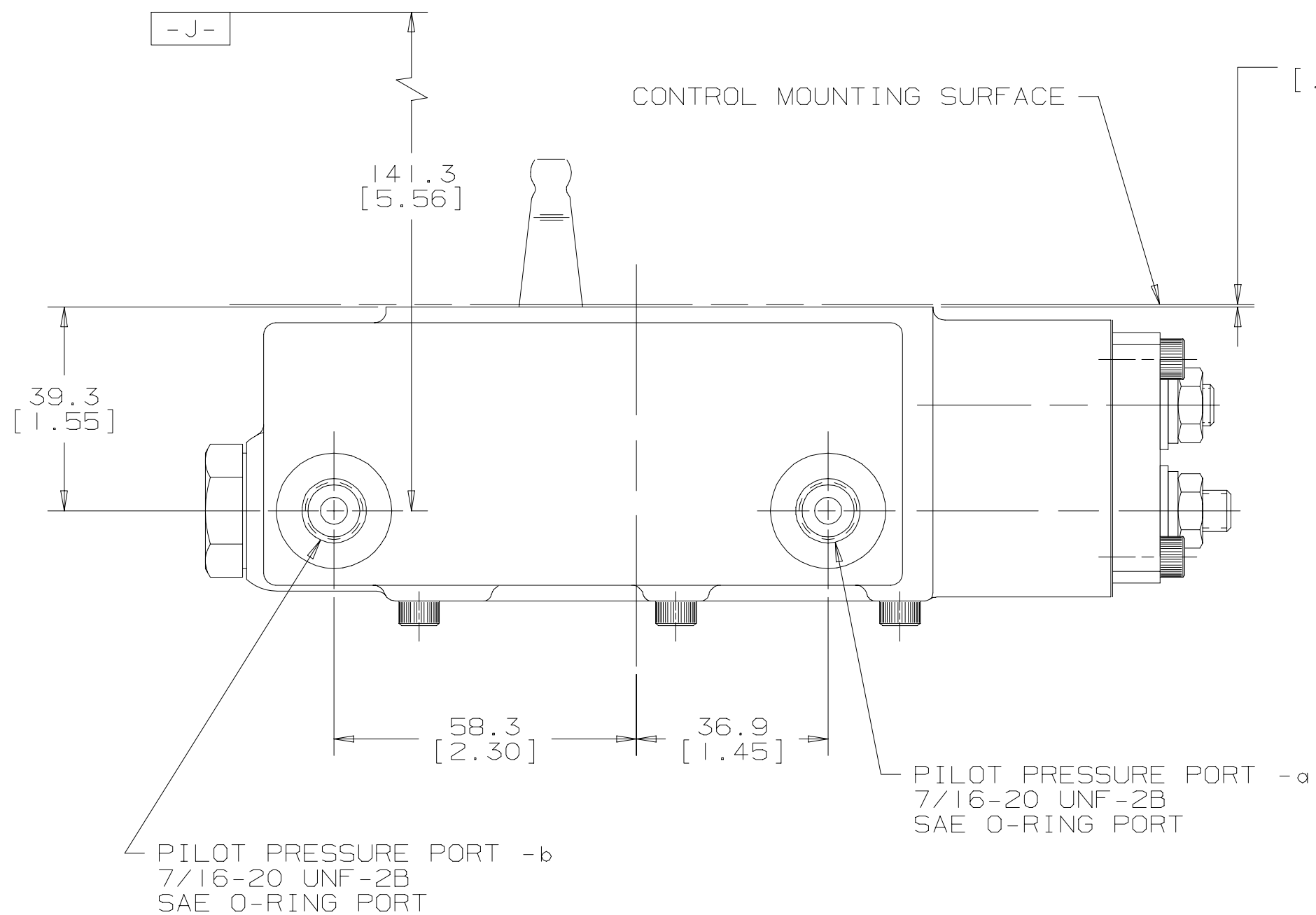
4

3

2

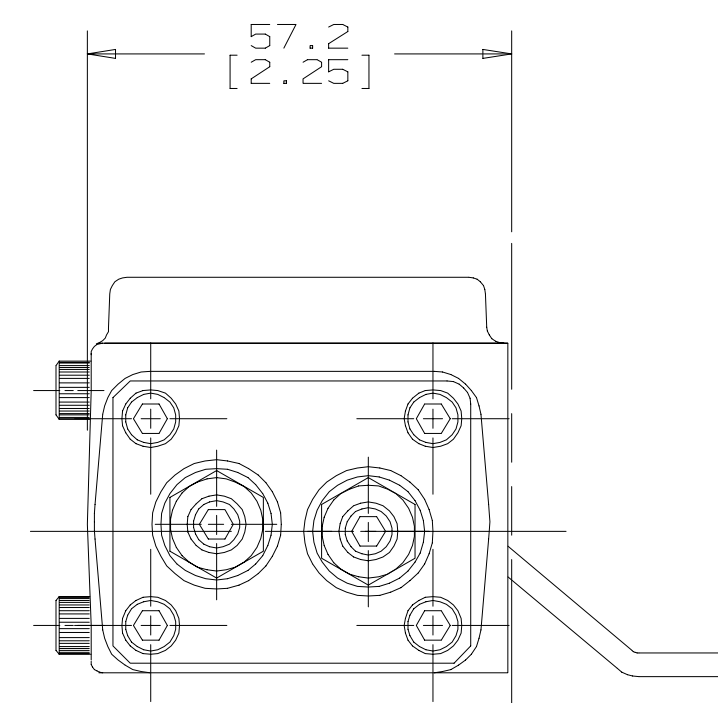
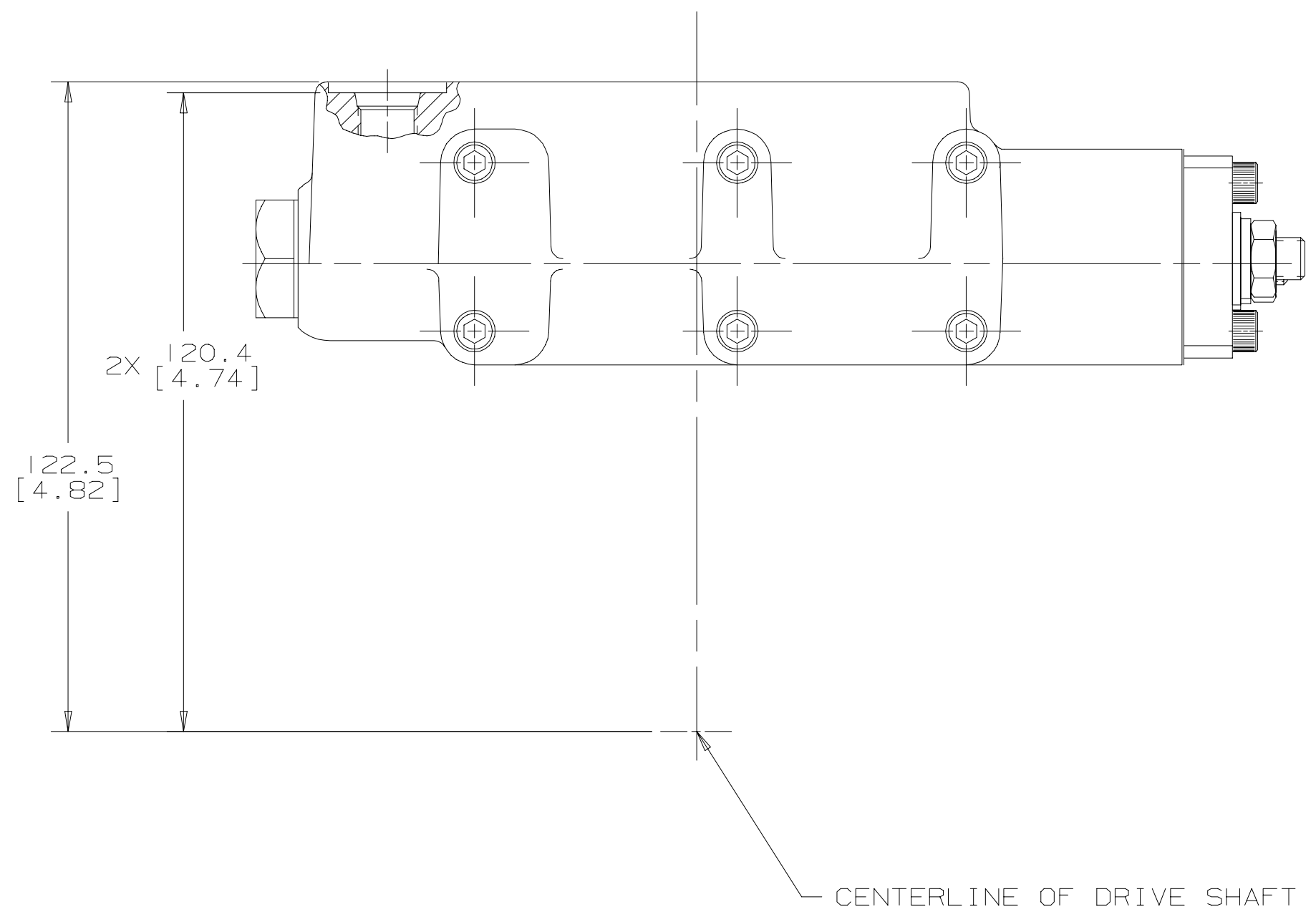
1

REV	DESCRIPTION	BY	CHK	DATE	ECN
A	RELEASE FOR SAMPLES AND ESTIMATE	CLL	DLL	4-1-95	MI3419
F	ENGINEERING RELEASE	JMS	SDR	7-1-97	MI7847



NOTE

- 1 RIGHT HAND (CLOCKWISE) ROTATION
PILOT PRESS PORT -a PRESSURIZED...PORT -B FLOW FROM SYSTEM PRESSURE
PILOT PRESS PORT -b PRESSURIZED...PORT -A FLOW FROM SYSTEM PRESSURE
- LEFT HAND (COUNTER CLOCKWISE) ROTATION
PILOT PRESS PORT -a PRESSURIZED...PORT -A FLOW FROM SYSTEM PRESSURE
PILOT PRESS PORT -b PRESSURIZED...PORT -B FLOW FROM SYSTEM PRESSURE
- 2 THRESHOLD PRESSURE 5 bar [72.5 lbf/in2]
MAX DISPLACEMENT PRESSURE 15 bar [217.6 lbf/in2]



G H

UNLESS OTHERWISE SPECIFIED ALL DIMENSIONS ARE IN INCHES <input type="checkbox"/> MILLIMETERS <input checked="" type="checkbox"/> TOLERANCES .x ±--- .xx ±REF .xxx ±ONLY ∠ ±--- UNSPECIFIED RADII ARE --- UNSPECIFIED DRAFT ANGLES ARE --- DRAWING FORMAT CADD <input checked="" type="checkbox"/> MANUAL <input type="checkbox"/>	DRAWING BASED ON ANSI Y14.5M-1982	
	THE REPRODUCTION, DISTRIBUTION, AND UTILIZATION OF THIS DOCUMENT, AS WELL AS THE COMMUNICATION OF ITS CONTENTS TO OTHERS WITHOUT EXPLICIT AUTHORIZATION IS PROHIBITED. OFFENDERS WILL BE HELD LIABLE FOR THE PAYMENT OF DAMAGES. ALL RIGHTS RESERVED IN THE EVENT OF THE GRANT OF A PATENT, UTILITY MODEL, OR DESIGN. (PER ISO 16016)	
	DRAWN BY/DATE CLL 5-15-95	MATERIAL/HEAT TREAT
	CHECKED BY/DATE DLL 6-6-95	
	ENGRG BY/DATE DLL 6-6-95	TITLE
	METALLURGY BY/DATE ---	SERVO CONTROL INSTALLATION
	THIRD ANGLE PROJECTION	MICROINCHES <input type="checkbox"/> MICROMETERS <input type="checkbox"/> NUMBER
	DO NOT SCALE	ARITHMETICAL AVERAGE
	SCALE 1/1	SHEET 1 OF 1



A-387-017

4

3

2

1