

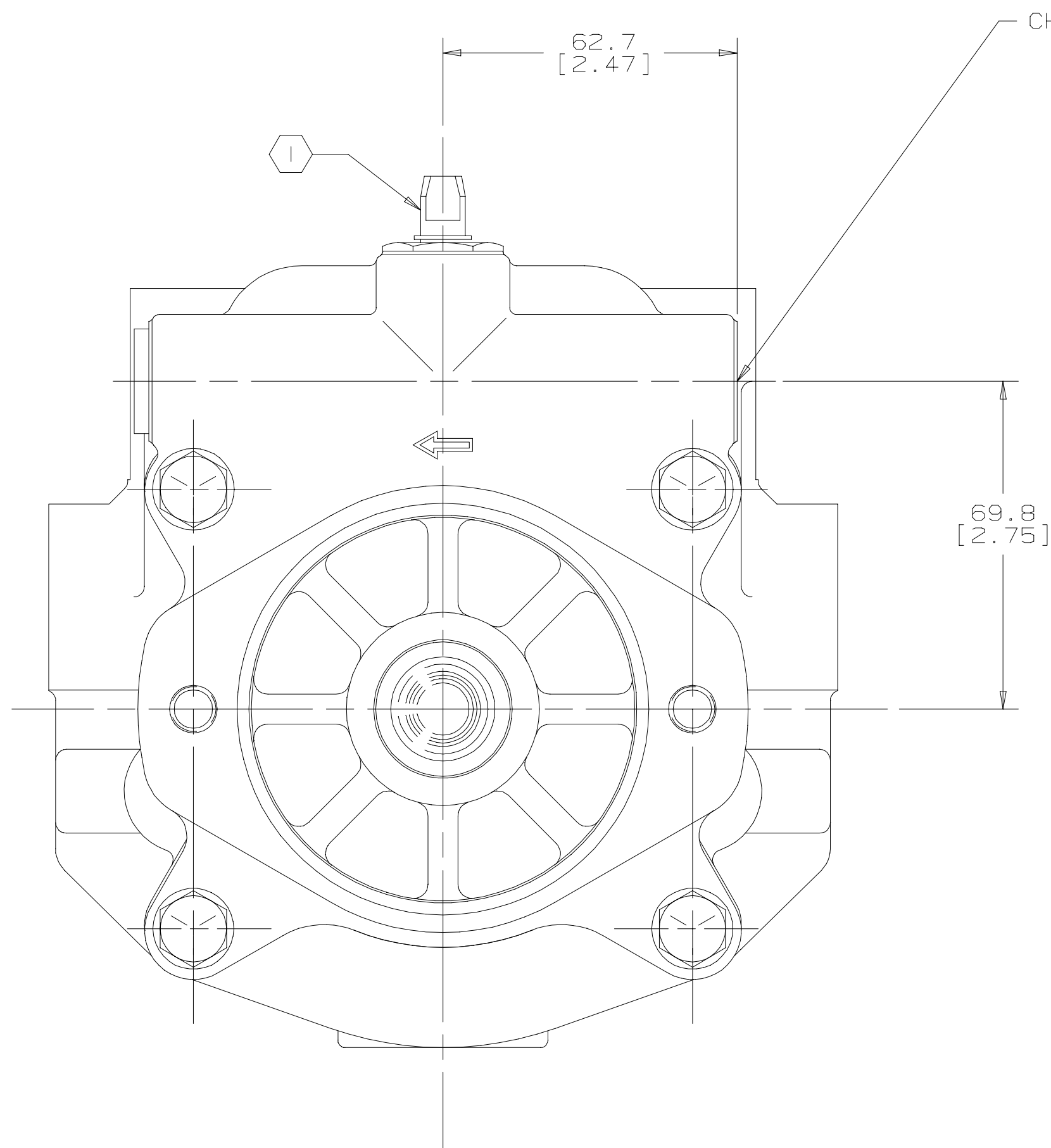
4

3

2

1

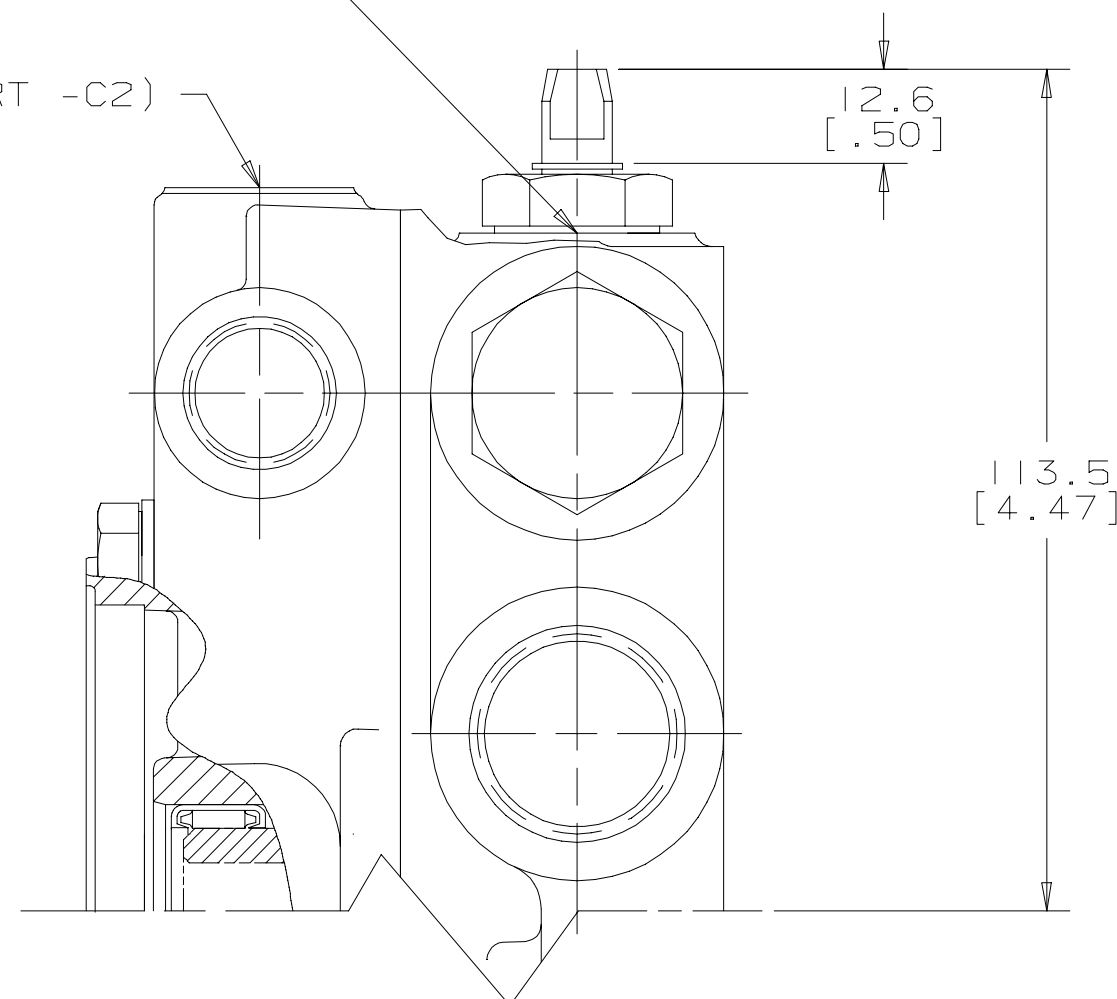
REV	DESCRIPTION	BY	CHK	DATE	ECN
A	ENGINEERING RELEASE	MJZ	SDR	4-15-99	32791



CHARGE PUMP SUCTION INLET PORT -S

(AUXILIARY PORT -C1)

(AUXILIARY PORT -C2)

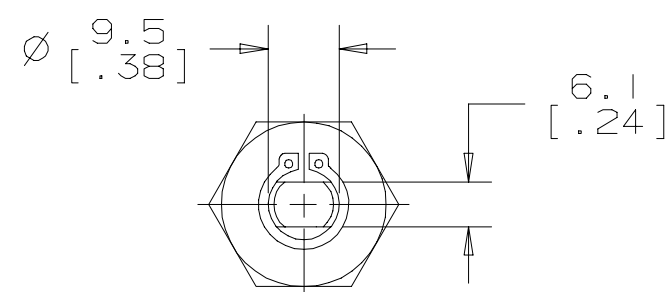


NOTE



CAUTION
 THIS DUMP VALVE TO BE USED IN CASE OF EMERGENCY ONLY EXCESS TOWING MAY DAMAGE HYDRAULIC SYSTEM BEFORE TOWING VEHICLE TURN VALVE 90° TO DECLUTCH DO NOT TURN WHILE MACHINE IS RUNNING

G H



VIEW A-A

UNLESS OTHERWISE SPECIFIED ALL DIMENSIONS ARE IN INCHES <input type="checkbox"/> MILLIMETERS <input checked="" type="checkbox"/>		DRAWING BASED ON ANSI Y14.5M-1982	
TOLERANCES .X ± --- .XX ± --- .XXX ± --- < ± ---		THE REPRODUCTION, DISTRIBUTION, AND UTILIZATION OF THIS DOCUMENT, AS WELL AS THE COMMUNICATION OF ITS CONTENTS TO OTHERS WITHOUT EXPLICIT AUTHORIZATION IS PROHIBITED. OFFENDERS WILL BE HELD LIABLE FOR THE PAYMENT OF DAMAGES. ALL RIGHTS RESERVED IN THE EVENT OF THE GRANT OF A PATENT, UTILITY MODEL, OR DESIGN. (PER ISO 16016)	
UNSPECIFIED RADII ARE ---		DRAWN BY/DATE MJZ 4-16-99	MATERIAL/HEAT TREAT
UNSPECIFIED DRAFT ANGLES ARE ---		CHECKED BY/DATE SDR 4-27-99	TITLE PORT INSTALLATION
DRAWING FORMAT CADD <input checked="" type="checkbox"/> MANUAL <input type="checkbox"/>		ENGRG BY/DATE TJT 4-27-99	
THIRD ANGLE PROJECTION		METALLURGY --- BY/DATE	SCALE 1/1
DO NOT SCALE		ARITHMETICAL AVERAGE	SHEET 1 OF 1

4

3

2

1

D

D

C

C

B

B

A

A