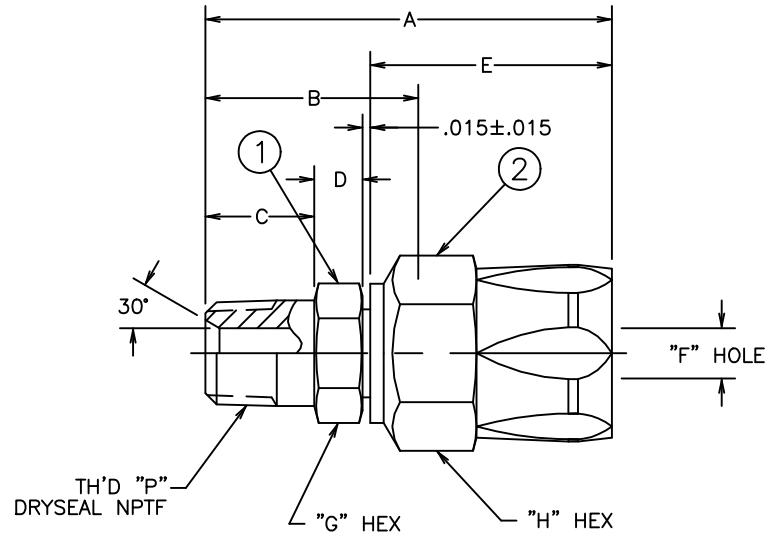


PART NUMBER	TH'D "P"	A REF	B REF	C REF	D REF	E REF	F REF	G REF	H REF
479301-2-4S	1/8-27	1.84	.90	.38	.31	1.14	.19	.50	.75
479301-4-4S	1/4-18	2.03	1.09	.56	.31	1.14	.19	.56	.75
479301-4-6S	1/4-18	2.14	1.14	.56	.31	1.25	.30	.56	.88
479301-6-6S	3/8-18	2.14	1.14	.56	.31	1.25	.30	.75	.88
479301-6-8S	3/8-18	2.60	1.36	.56	.25	1.77	.41	.88	1.06
479301-8-6S	1/2-14	2.32	1.32	.75	.31	1.25	.30	.88	.88

REVISIONS			
REV.	DESCRIPTION	DATE	APPROVED
F	REDRAWN ON CAD—LAST REV. "E"	3-30-92	EN-F12914 ER-F12914



479301-8-6S	220551-8-6S	1214-6S			
479301-6-8S	2412-6-10S	1214-8S			
479301-6-6S	220551-6-6S	1214-6S			
479301-4-6S	220551-4-6S	1214-6S			
479301-4-4S	220551-4-4S	1214-4S			
479301-2-4S	220551-2-4S	1214-4S			
PART NUMBER	① NIPPLE	② SOCKET			

LIST OF MATERIALS

ITEM NO.	MATERIAL	DRAWN	DATE	DRAWING TITLE	
1	STEEL	R.D.GARRETT	3-30-92	FLUID CONVEYANCE DIVISION FITTING ASSEMBLY MALE PIPE, 2550 HOSE	
2	STEEL	R.D.GARRETT	3-30-92		
		APPROVED	DATE	SIZE	(CAGE) CODE NO.
		R.D.GARRETT	3-30-92	C	01276
		RELEASED	DATE	DRAWING NUMBER	
		EN-F12914	3-30-92	479301	
		PROJECT NO.	APC NO.	SHEET	
		ER-F12914		U	
		DESIGN APPROVED			

THE REPRODUCTION, DISTRIBUTION AND UTILIZATION OF THIS DOCUMENT AS WELL AS THE COMMUNICATION OF ITS CONTENTS TO OTHER WITHOUT EXPLICIT AUTHORIZATION IS PROHIBITED. OFFENDERS WILL BE HELD LIABLE FOR THE PAYMENT OF DAMAGES. ALL RIGHT RESERVED IN THE EVENT OF THE GRANT OF A PATENT, UTILITY MODEL OR DESIGN. (PER ISO 16016)

CONVERTED DRAWING CADAM to AutoCAD 9/98

DWG. NO. 479301 SH. F