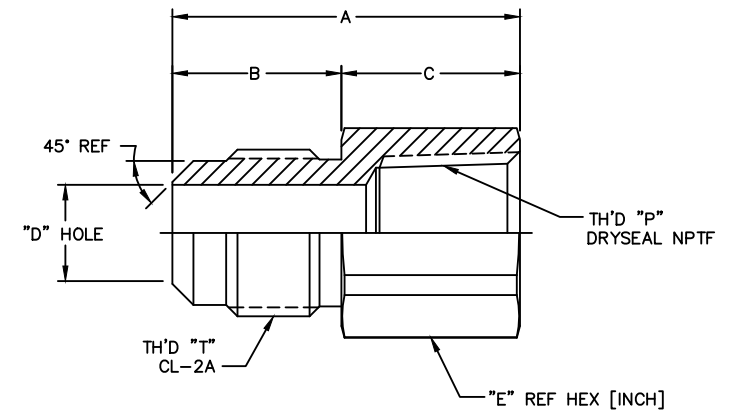


PART NUMBER	WEATHERHEAD CATALOG NUMBER	TH'D "P"	TH'D "T"	A REF	B REF	C REF	D REF	E
2001-2-3B	46X3	1/8-27	3/8-24	24.6 [.97]	11.2 [.44]	13.5 [.53]	3.3 [.13]	9/16
2001-2-4B	46X4	1/8-27	7/16-20	26.2 [1.03]	12.7 [.50]	13.5 [.53]	4.8 [.19]	9/16
2001-2-5B	46X5	1/8-27	1/2-20	26.9 [1.06]	14.2 [.56]	12.7 [.50]	5.6 [.22]	9/16
2001-2-6B	46X6X2	1/8-27	5/8-18	28.4 [1.12]	15.7 [.62]	12.7 [.50]	7.1 [.28]	5/8
2001-4-4B	46X4X4	1/4-18	7/16-20	31.8 [1.25]	12.7 [.50]	19.1 [.75]	4.8 [.19]	11/16
2001-4-5B	46X5X4	1/4-18	1/2-20	31.8 [1.25]	14.2 [.56]	17.5 [.69]	5.6 [.22]	11/16
2001-4-6B	46X6	1/4-18	5/8-18	33.3 [1.31]	15.7 [.62]	17.5 [.69]	7.1 [.28]	11/16
2001-4-8B	46X8X4	1/4-18	3/4-16	36.6 [1.44]	19.1 [.75]	17.5 [.69]	10.4 [.41]	13/16
2001-6-4B	46X4X6	3/8-18	7/16-20	32.5 [1.28]	12.7 [.50]	19.8 [.78]	4.8 [.19]	13/16
2001-6-6B	46X6X6	3/8-18	5/8-18	35.1 [1.38]	15.7 [.62]	19.4 [.76]	7.1 [.28]	13/16
2001-6-8B	46X8	3/8-18	3/4-16	39.6 [1.56]	19.1 [.75]	20.6 [.81]	10.4 [.41]	13/16
2001-6-10B	46X10X6	3/8-18	7/8-14	39.6 [1.56]	22.4 [.88]	17.3 [.68]	12.7 [.50]	1
2001-8-6B	46X6X8	1/2-14	5/8-18	41.1 [1.62]	15.7 [.62]	25.4 [1.00]	7.1 [.28]	1
2001-8-8B	46X8X8	1/2-14	3/4-16	41.1 [1.62]	19.1 [.75]	22.1 [.87]	10.4 [.41]	1
2001-8-10B	46X10	1/2-14	7/8-14	46 [1.81]	22.4 [.88]	23.6 [.93]	12.7 [.50]	1
2001-8-12B	-	1/2-14	1 1/16-14	50.8 [2.00]	25.4 [1.00]	25.4 [1.00]	16 [.63]	1 1/16
2001-12-10B	-	3/4-14	7/8-14	46 [1.81]	22.4 [.88]	23.6 [.93]	12.7 [.50]	1 1/4
2001-12-12B	46X12	3/4-14	1 1/16-14	49.3 [1.94]	25.4 [1.00]	23.9 [.94]	16 [.63]	1 1/4

REVISIONS			
REV	DESCRIPTION	DATE	APPROVED
AG	REDRAWN & REDESIGNED.	2018-07-26 RZH/VSP	CO-0166827



2. MATERIAL: BRASS
1. DIMENSIONS ARE IN MILLIMETERS [INCHES].

METRIC

DRAWN R. HODEKAR	<i>Danfoss</i> FLUID CONVEYANCE DIVISION		
CHECKED V. PATIL	DRAWING TITLE		
APPROVED J. SNYDER	ADAPTER		
RELEASE DATE 2018-07-26	SAE 45° FLARE - INTERNAL PIPE THREAD CONNECTOR (SAE #010103)		
CO-0166827	SIZE A2	DRAWING NUMBER 2001-B	REV AG
THIRD ANGLE PROJECTION	SCALE NONE	DIST U	CAGE CODE 01276
			SHEET 1
THE REPRODUCTION, DISTRIBUTION AND UTILIZATION OF THIS DOCUMENT AS WELL AS THE COMMUNICATION OF ITS CONTENTS TO OTHERS WITHOUT EXPLICIT AUTHORIZATION IS PROHIBITED. OFFENDERS WILL BE HELD LIABLE FOR THE PAYMENT OF DAMAGES. ALL RIGHT RESERVED IN THE EVENT OF THE GRANT OF A PATENT, UTILITY MODEL OR DESIGN. (PER ISO 16016)			