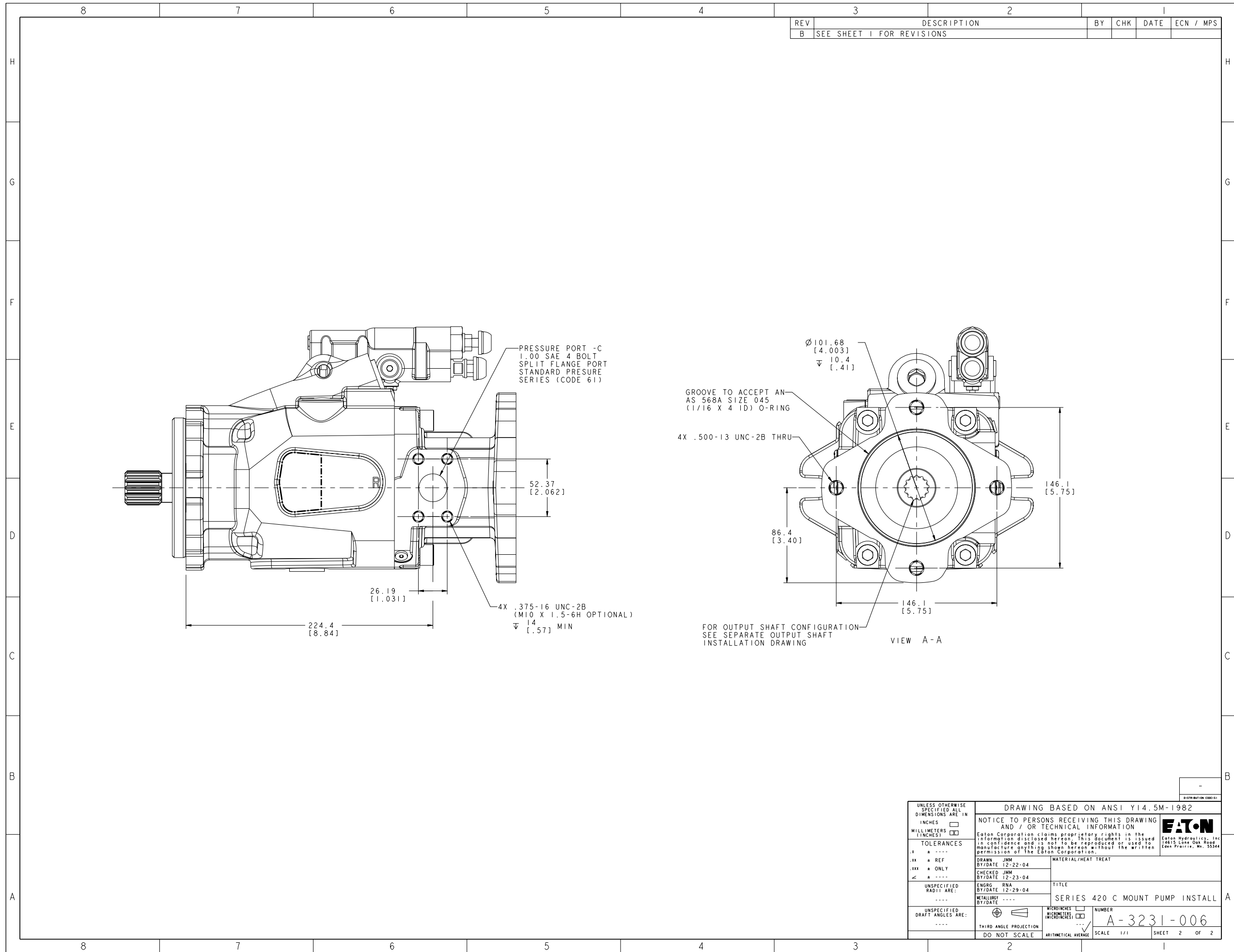


NOTE
 1 UNIT MUST BE INSTALLED IN SUCH A POSITION THAT THE CASE DRAIN ASSURES AN OIL LEVEL AT OR ABOVE UNIT CENTERLINE BEFORE STARTING

REVIEWED FOR CLASSIFICATION PER ESP-042

UNLESS OTHERWISE SPECIFIED ALL DIMENSIONS ARE IN INCHES		DRAWING BASED ON ANSI Y14.5M-1982	
MILLIMETERS (INCHES)		NOTICE TO PERSONS RECEIVING THIS DRAWING AND / OR TECHNICAL INFORMATION	
TOLERANCES		Eaton Corporation claims proprietary rights in the information disclosed hereon. This document is issued in confidence and is not to be reproduced or used to manufacture anything shown hereon without the written permission of the Eaton Corporation.	
.1	+ .0004	Eaton Hydraulics, Inc. 14615 Lone Oak Road Evan Prairie, Mo. 65544	
.1X	+ REF	MATERIAL/HEAT TREAT	
.1XX	+ ONLY	DRAWN: JMM BY/DATE 12-22-04	
<	+ .0004	CHECKED: JMM BY/DATE 12-23-04	
UNSPECIFIED RADIUS ARE:		ENGINEER: RMA BY/DATE 12-29-04	
UNSPECIFIED DRAFT ANGLES ARE:		METALLURGY: --- BY/DATE	
E SIZE		THIRD ANGLE PROJECTION	
DO NOT SCALE		ARITHMETICAL AVERAGE	
		SERIES 420 C MOUNT PUMP INSTALL	
		NUMBER A-3231-006	
		SCALE 1/1	
		SHEET 1 OF 2	



REV	DESCRIPTION	BY	CHK	DATE	ECN / MPS
B	SEE SHEET I FOR REVISIONS				

PRESSURE PORT - C
 1.00 SAE 4 BOLT
 SPLIT FLANGE PORT
 STANDARD PRESURE
 SERIES (CODE 61)

GROOVE TO ACCEPT AN
 AS 568A SIZE 045
 (1/16 X 4 ID) O-RING

4X .500-13 UNC-2B THRU

4X .375-16 UNC-2B
 (M10 X 1.5-6H OPTIONAL)
 .14
 [.57] MIN

FOR OUTPUT SHAFT CONFIGURATION
 SEE SEPARATE OUTPUT SHAFT
 INSTALLATION DRAWING

VIEW A-A

UNLESS OTHERWISE SPECIFIED ALL DIMENSIONS ARE IN INCHES		DRAWING BASED ON ANSI Y14.5M-1982	
MILLIMETERS (INCHES)		NOTICE TO PERSONS RECEIVING THIS DRAWING AND / OR TECHNICAL INFORMATION	
TOLERANCES		Eaton Corporation claims proprietary rights in the information disclosed hereon. This document is issued in confidence and is not to be reproduced or used to manufacture anything shown hereon without the written permission of the Eaton Corporation.	
.1	* ----	DRAWN JMM	MATERIAL/HEAT TREAT
.XX	* REF	BY/DATE 12-22-04	
.XXX	* ONLY	CHECKED JMM	
<	* ----	BY/DATE 12-23-04	
UNSPECIFIED RADII ARE:	----	ENGRG: RMA	TITLE
UNSPECIFIED DRAFT ANGLES ARE:	----	BY/DATE 12-29-04	SERIES 420 C MOUNT PUMP INSTALL
		METALLURGY	NUMBER
		BY/DATE	A-3231-006
			SCALE 1/1
			SHEET 2 OF 2