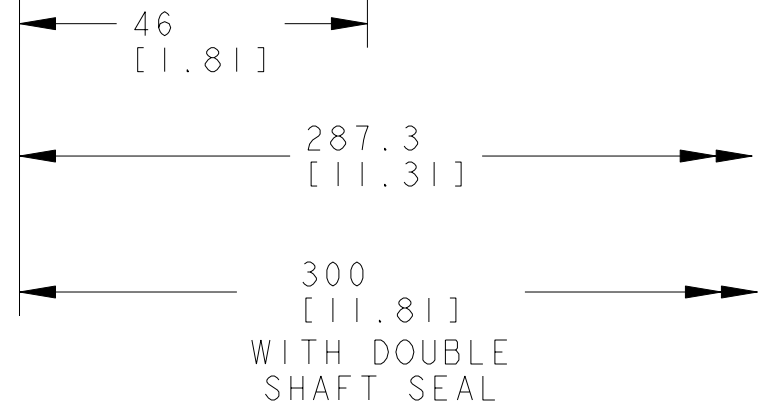
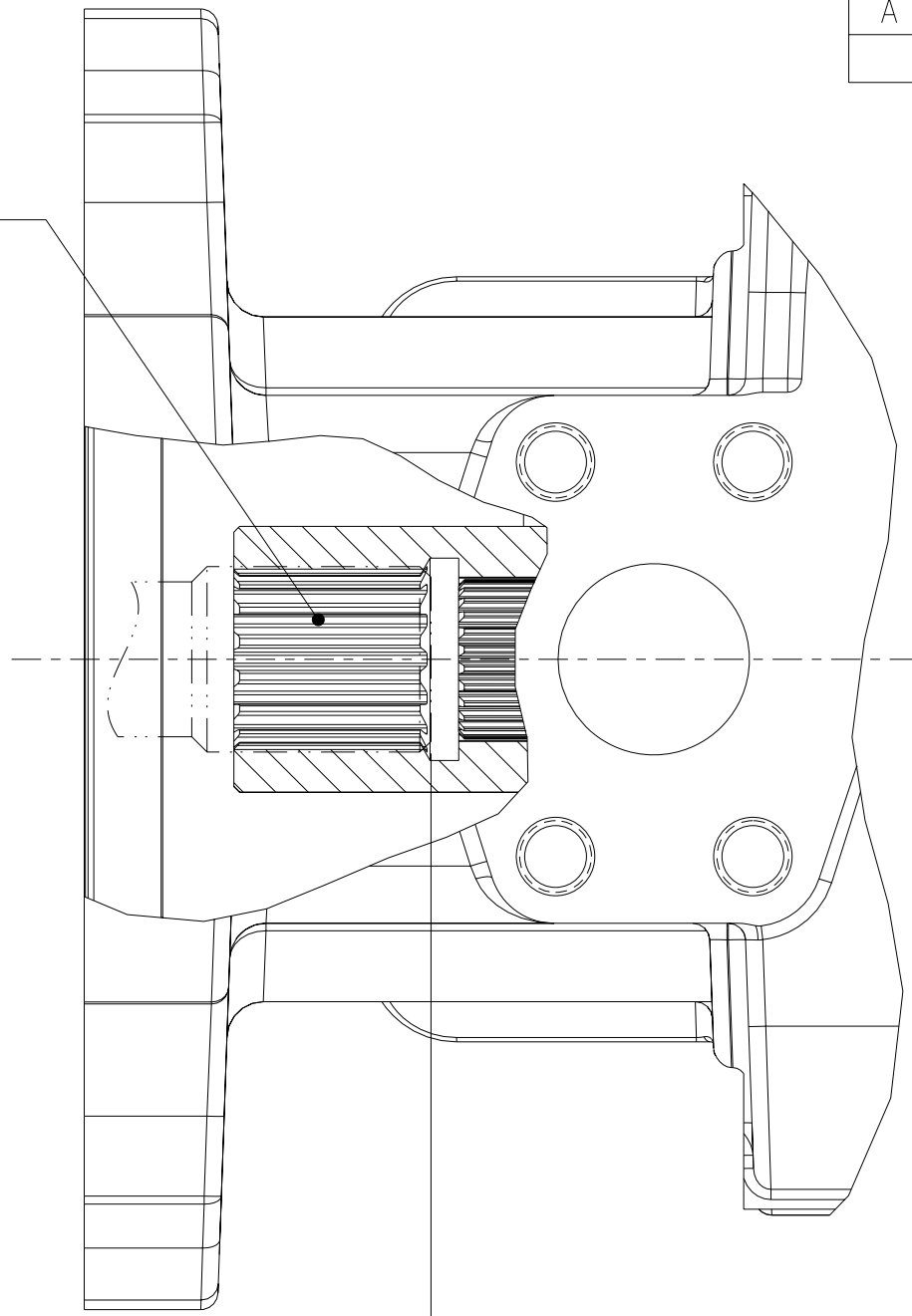


REV	DESCRIPTION	BY	CHK	DATE	ECN / MPS
A	ENGINEERING RELEASE	JMM	JMM	10-19-04	M60048A

Ø25.5 [1.006] 15 TOOTH 30° FLAT
 ROOT SIDE FIT 16/32 INTERNAL
 SPLINE PER ASA B5.15-1960

ACCEPTS 15 TOOTH 30° FLAT ROOT
 SIDE FIT 16/32 EXTERNAL SPLINES
 PER SAE J498b CLASS 1 OR ANSI
 B92.1 CLASS 5 WITH 46 [1.81]
 EXTENSION FROM MOUNTING FLANGE



REVIEWED FOR CLASSIFICATION PER ESP-042

-
DISTRIBUTION CODE(S)

UNLESS OTHERWISE SPECIFIED ALL DIMENSIONS ARE IN INCHES <input type="checkbox"/> MILLIMETERS (INCHES) <input checked="" type="checkbox"/>	DRAWING BASED ON ANSI Y14.5M-1982	
	NOTICE TO PERSONS RECEIVING THIS DRAWING AND / OR TECHNICAL INFORMATION Eaton Corporation claims proprietary rights in the information disclosed hereon. This document is issued in confidence and is not to be reproduced or used to manufacture anything shown hereon without the written permission of the Eaton Corporation.	
TOLERANCES .X ± 0.1 .XX ± REF .XXX ± ONLY < ± 0.5° UNSPECIFIED RADII ARE: ----	DRAWN JMM BY/DATE 10-20-04	MATERIAL/HEAT TREAT
	CHECKED JMM BY/DATE 10-21-04	
UNSPECIFIED DRAFT ANGLES ARE: ----	ENGRG RNA BY/DATE 11-3-04	TITLE OUTPUT SHAFT INSTALLATION
	METALLURGY ---- BY/DATE	
B SIZE	THIRD ANGLE PROJECTION DO NOT SCALE	MICROINCHES <input type="checkbox"/> MICROMETERS (MICROINCHES) <input checked="" type="checkbox"/> ARITHMETICAL AVERAGE <input checked="" type="checkbox"/>
		NUMBER A-2254-004 SCALE 1/1 SHEET 1 OF 1

