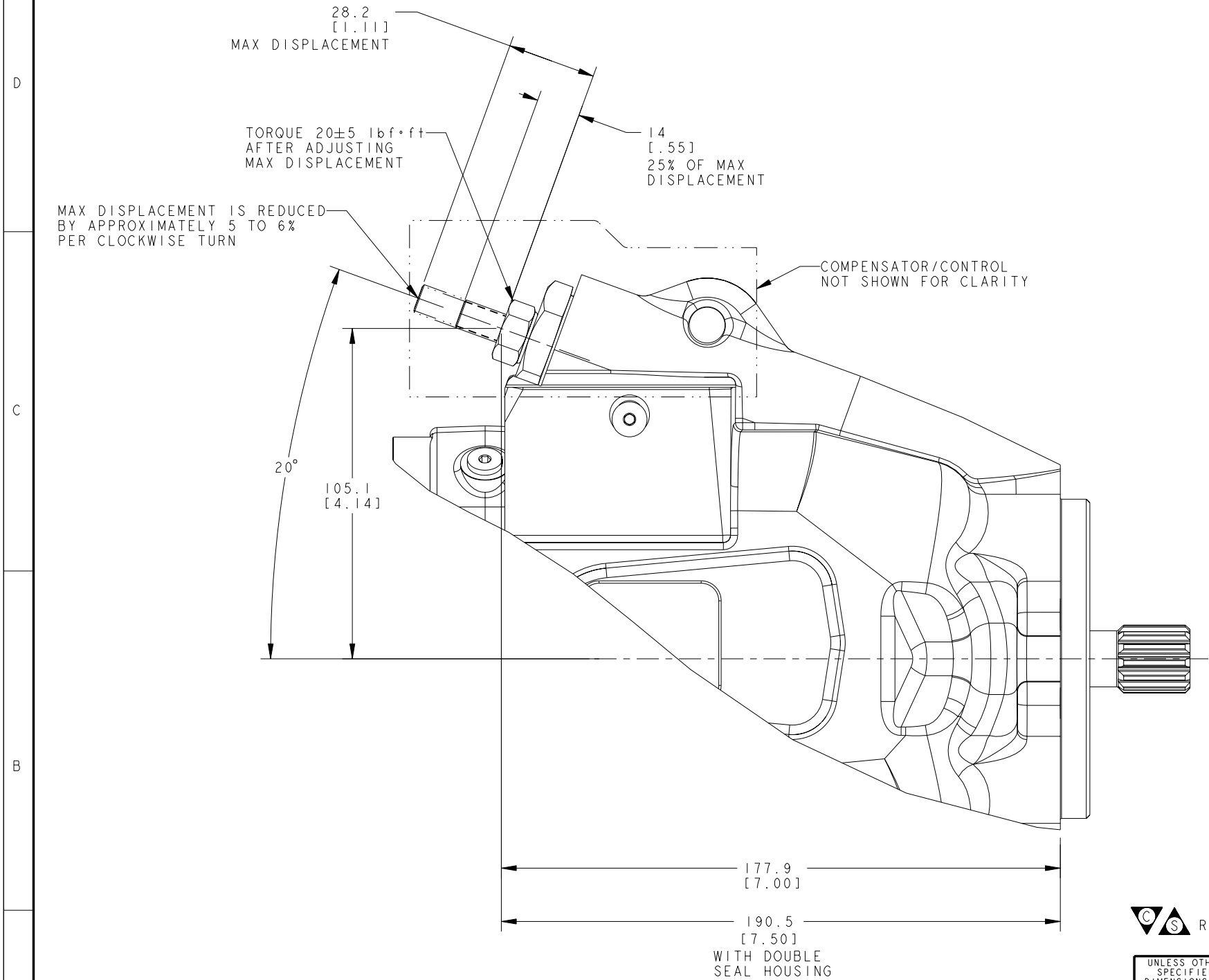


REV	DESCRIPTION	BY	CHK	DATE	ECN / MPS
A	ENGINEERING RELEASE	NJH	NJH	08-21-08	0021240
B	REVISED	NJH	NJH	11-16-09	0021096-ECR



REVIEWED FOR CLASSIFICATION PER ESP-042

UNLESS OTHERWISE SPECIFIED ALL DIMENSIONS ARE IN INCHES <input type="checkbox"/> MILLIMETERS (INCHES) <input checked="" type="checkbox"/> TOLERANCES .X ± ---- .XX ± REF .XXX ± ONLY < ± ---- UNSPECIFIED RADII ARE: ---- UNSPECIFIED DRAFT ANGLES ARE: ---- C SIZE	DRAWING BASED ON ANSI Y14.5M-1982		
	NOTICE TO PERSONS RECEIVING THIS DRAWING AND / OR TECHNICAL INFORMATION Eaton Corporation claims proprietary rights in the information disclosed hereon. This document is issued in confidence and is not to be reproduced or used to manufacture anything shown hereon without the written permission of the Eaton Corporation.		
	DRAWN NJH BY/DATE 8-21-08 CHECKED NJH BY/DATE 8-21-08	MATERIAL/HEAT TREAT \	EATON Eaton Hydraulics, Inc. 14615 Lone Oak Road Eden Prairie, Mn. 55344
	ENGRG DJZ BY/DATE 8-21-08 METALLURGY ---- BY/DATE ----	TITLE EXT. MANUAL STROKE ADJ. INSTALL	
THIRD ANGLE PROJECTION DO NOT SCALE	MICROINCHES <input type="checkbox"/> MICROMETERS (MICROINCHES) <input checked="" type="checkbox"/> ARITHMETICAL AVERAGE <input checked="" type="checkbox"/>	NUMBER A-3306-001 SCALE 1/1 SHEET 1 OF 1	