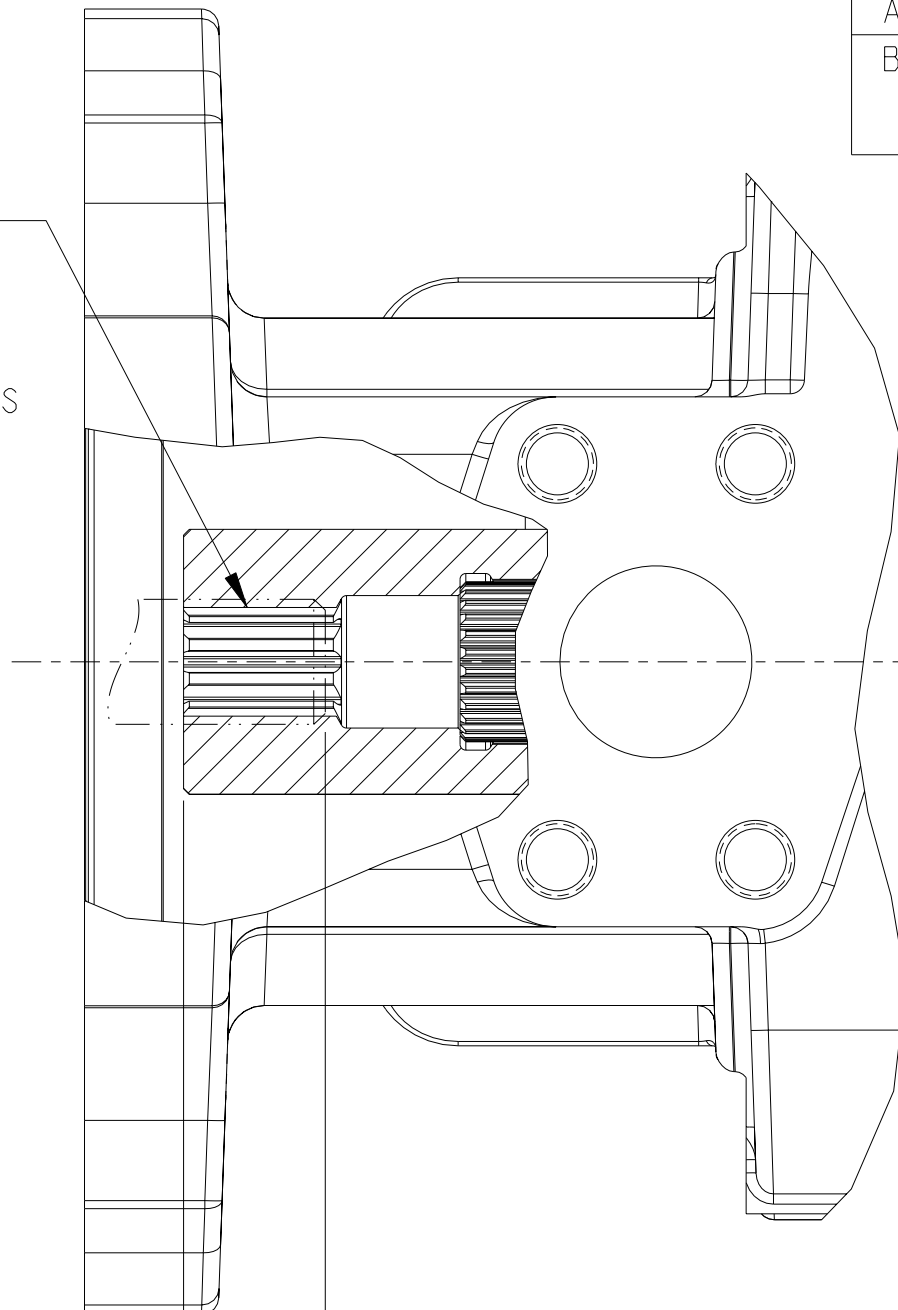


REV	DESCRIPTION	BY	CHK	DATE	ECN / MPS
A	ENGINEERING RELEASE	JMM	JMM	12-20-04	M63540
B	-1)ADDED CLASS 6 TO INTERNAL SPLINE DESCRIPTION -2)ADDED B92.1 CLASS 4, 6 AND 7 TO ACCEPTED EXTERNAL SPLINES	JMM	JMM	1-30-06	53960

Ø16.54 [.651] 9 TOOTH 30° FLAT ROOT SIDE FIT CLASS 6 16/32 INTERNAL SPLINE PER ANSI B92.1

ACCEPTS 9 TOOTH 30° FLAT ROOT SIDE FIT 16/32 EXTERNAL SPLINES PER SAE J498b CLASS 1 OR ANSI B92.1 CLASS 4, 5, 6 OR 7 WITH 31.8 [1.25] EXTENSION FROM MOUNTING FLANGE

ADDITIONAL UNITS DRIVEN BY THIS SPLINE MUST NOT REQUIRE MORE THAN 74.6 N·m [55 lbf·ft] OF TORQUE



13.1  
[.52] MAX

31.9  
[1.25]

287.3  
[11.31]

300  
[11.81]

WITH DOUBLE  
SHAFT SEAL HOUSING



REVIEWED FOR CLASSIFICATION PER ESP-042

-
DISTRIBUTION CODE(S)

UNLESS OTHERWISE SPECIFIED ALL DIMENSIONS ARE IN INCHES <input type="checkbox"/> MILLIMETERS (INCHES) <input checked="" type="checkbox"/>	DRAWING BASED ON ANSI Y14.5M-1982	
	NOTICE TO PERSONS RECEIVING THIS DRAWING AND / OR TECHNICAL INFORMATION	
TOLERANCES .X ± ---- .XX ± REF .XXX ± ONLY ∠ ± ----	Eaton Corporation claims proprietary rights in the information disclosed hereon. This document is issued in confidence and is not to be reproduced or used to manufacture anything shown hereon without the written permission of the Eaton Corporation.	<b>EATON</b> Eaton Hydraulics, Inc. 14615 Lone Oak Road Eden Prairie, Mn. 55344
	DRAWN JMM BY/DATE 12-23-04	
UNSPECIFIED RADII ARE: ----	CHECKED JMM BY/DATE 1-13-05	TITLE  OUTPUT SHAFT INSTALLATION
	ENGRG RNA BY/DATE 1-13-05	
UNSPECIFIED DRAFT ANGLES ARE: ----	METALLURGY ---- BY/DATE	NUMBER A-2254-006
	THIRD ANGLE PROJECTION DO NOT SCALE	
B SIZE	MICROINCHES <input type="checkbox"/> MICROMETERS (MICROINCHES) <input checked="" type="checkbox"/> ARITHMETICAL AVERAGE <input checked="" type="checkbox"/>	