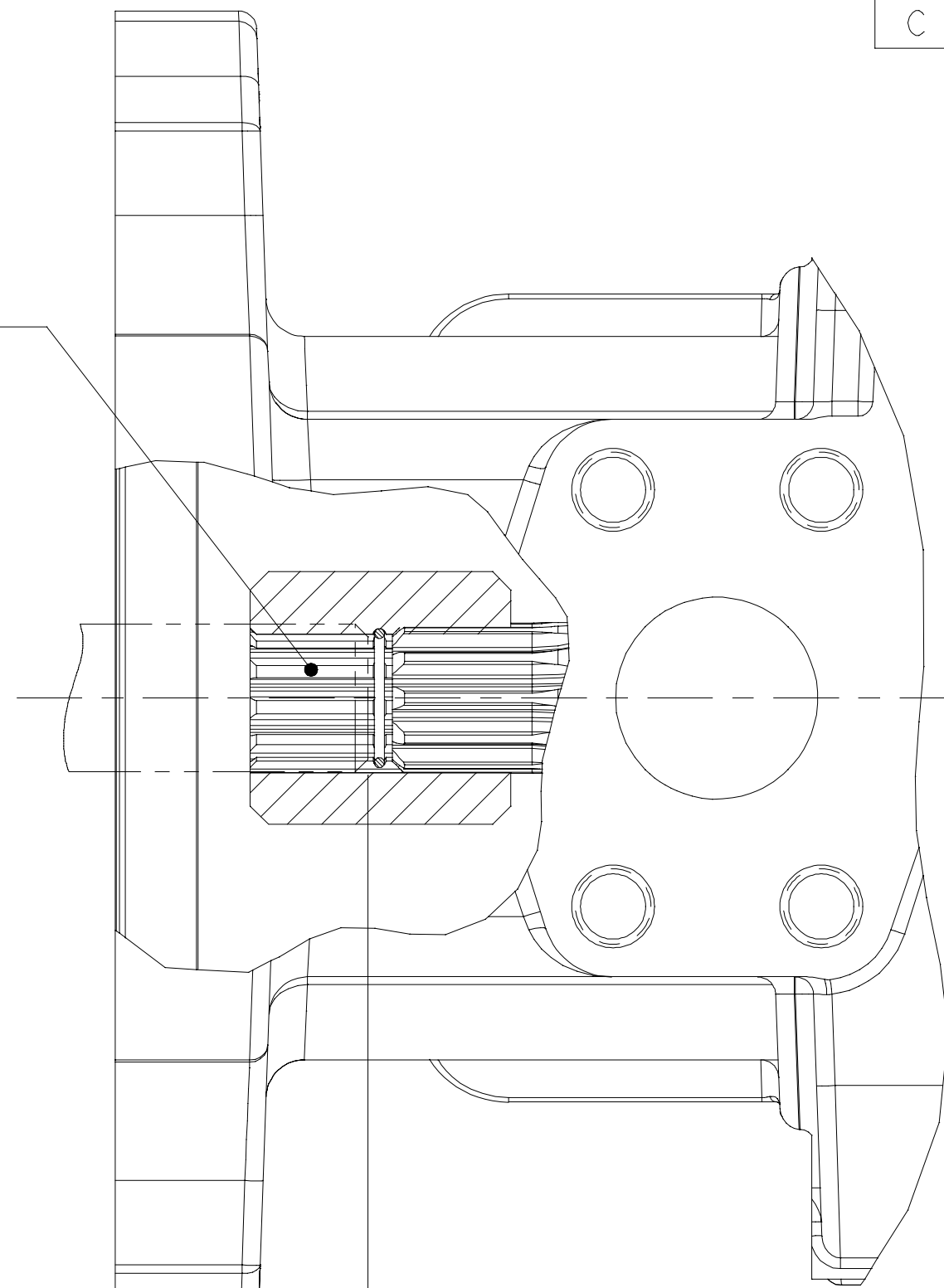


REV	DESCRIPTION	BY	CHK	DATE	ECN / MPS
A	RELEASE FOR SAMPLES AND ESTIMATES	JMM	JMM	4-10-01	M25382
B	ENGINEERING RELEASE	MJP	MJP	10-18-02	42601
C	ADDED 300/[11.81] DIM	JMM	JMM	1-8-03	43159

Ø19.33 [1.761] 11 TOOTH 30° FLAT ROOT SIDE FIT 16/32 CLASS 1 INTERNAL SPLINE PER SAE J498b

ACCEPTS 11 TOOTH 30° FLAT ROOT SIDE FIT 16/32 EXTERNAL SPLINES PER SAE J498b CLASS 1 OR ANSI B92.1 CLASS 5 WITH 31.8 [1.25] EXTENSION FROM MOUNTING FLANGE

ADDITIONAL UNITS DRIVEN BY THIS SPLINE MUST NOT REQUIRE MORE THAN 118.6 N·m [88 lbf·ft] OF TORQUE



31.8  
[1.25]

287.3  
[11.31]

300  
[11.81]  
WITH DOUBLE  
SHAFT SEAL

DISTRIBUTION CODE(S)

UNLESS OTHERWISE SPECIFIED ALL DIMENSIONS ARE IN INCHES <input type="checkbox"/> MILLIMETERS (INCHES) <input checked="" type="checkbox"/>	DRAWING BASED ON ANSI Y14.5M-1982	
	NOTICE TO PERSONS RECEIVING THIS DRAWING AND / OR TECHNICAL INFORMATION Eaton Corporation claims proprietary rights in the information disclosed hereon. This document is issued in confidence and is not to be reproduced or used to manufacture anything shown hereon without the written permission of the Eaton Corporation.	
TOLERANCES .X ± ---- .XX ± REF .XXX ± ONLY ∠ ± ----	DRAWN JMM BY/DATE 11-15-01 CHECKED JMM BY/DATE 6-4-02	MATERIAL/HEAT TREAT
UNSPECIFIED RADII ARE: ----	ENGRG TJT BY/DATE 6-4-02 METALLURGY ---- BY/DATE	TITLE OUTPUT SHAFT INSTALLATION
UNSPECIFIED DRAFT ANGLES ARE: ----	<input checked="" type="checkbox"/> THIRD ANGLE PROJECTION <input type="checkbox"/> DO NOT SCALE	NUMBER A-2254-002
	<input type="checkbox"/> MICROINCHES <input checked="" type="checkbox"/> MICROMETERS (MICROINCHES) <input checked="" type="checkbox"/> ARITHMETICAL AVERAGE	SCALE 1/1 SHEET 1 OF 1



Eaton Hydraulics, Inc.  
14615 Lone Oak Road  
Eden Prairie, Mn. 55344