

PVB 5 THRU PVB 29
 VARIABLE DELIVERY INLINE PISTON PUMP
 WITH ADJUSTABLE MAXIMUM STOP PRESSURE COMPENSATOR CONTROL

REVISIONS				
SYM	ZONE	DESCRIPTION	DATE	APPROVED
A	1B	ECN NO. 0930463 REVISED NOTE (SEE ECN)	3/10/69 JJP	JMK

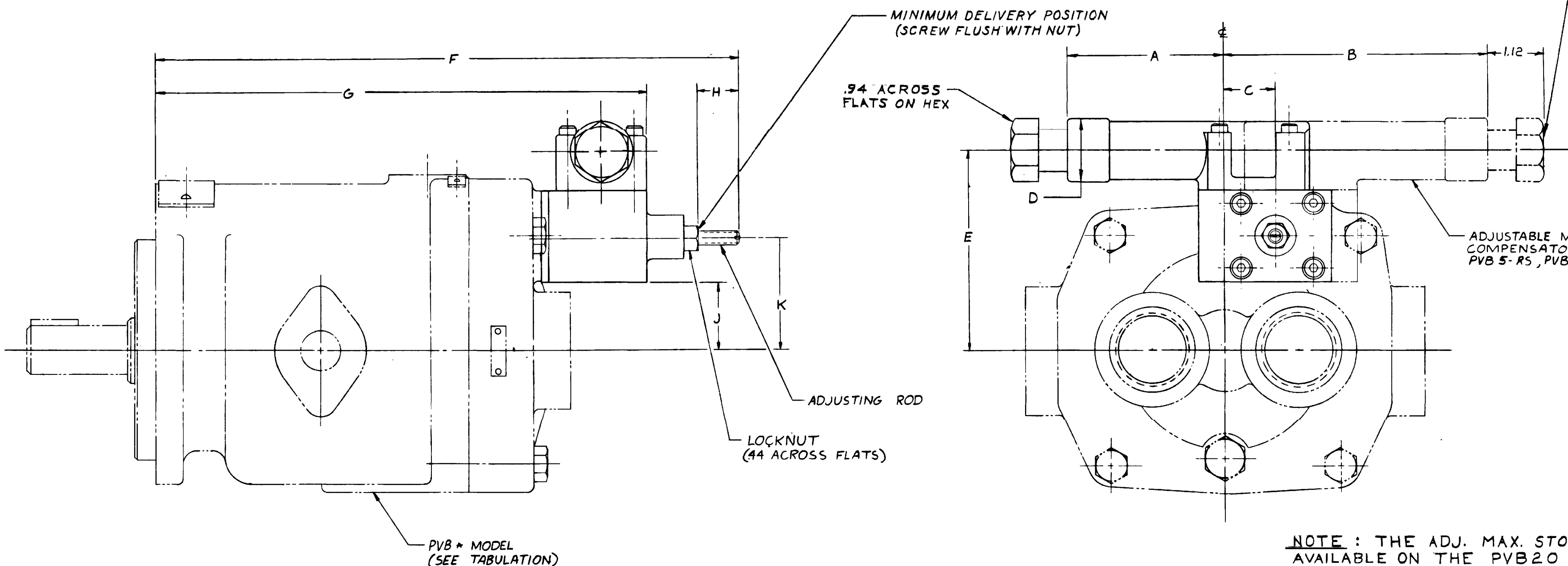
CONTROL DESCRIPTION

THE ADJUSTABLE MAXIMUM STOP PRESSURE CONTROL IS AVAILABLE FOR USE WITH VARIABLE DELIVERY INLINE PISTON PUMP MODEL SERIES PVB 5 THRU PVB 29.
 THIS CONTROL ENABLES THE MAXIMUM PUMP DELIVERY TO BE EXTERNALLY ADJUSTED FROM 25% TO 100% WHILE MAINTAINING ALL OF THE STANDARD FEATURES OF A PRESSURE COMPENSATED PUMP.

CONTROL ADJUSTMENT

LOOSEN LOCKNUT ON ADJUSTING ROD. TURN ADJUSTING ROD CLOCKWISE (CW) TO DECREASE MAXIMUM PUMP DELIVERY OR COUNTER-CLOCKWISE (CCW) TO INCREASE MAXIMUM PUMP DELIVERY UNTIL DESIRED SETTING IS OBTAINED.
 SECURE THIS SETTING BY TIGHTENING LOCKNUT.
 TO ASSIST INITIAL PRIMING, MANUAL ADJUSTMENT CONTROL SETTING MUST BE AT LEAST 40% OF MAXIMUM FLOW POSITION.

COMPENSATOR ADJ. KNOB - DO NOT BACK ADJ. KNOB OUT BEYOND 1.12 DIM. SHOWN WHILE PUMP IS OPERATING. (NOT USED FOR SUFFIX S213) (A)



376064
A

MODEL	A	B	C	D	E	F	G	H	J	K	STANDARD MODELS	SIDE PORT MODELS
PVB 5#6	3.72	3.72	.00	1.12 D	3.46	9.17	7.66	.62	.90	1.97	352651	375132
PVB 10#15	2.79	4.66	.94	1.12 D	3.55	10.46	8.90	.68	.99	2.06	357633	352654
PVB 20#29	2.10	—	1.62	1.12 D	4.11	11.68	10.00	.79	1.65	2.62	363068	352655

SEE DRAWINGS INDICATED FOR ADDITIONAL INSTALLATION & OPERATIONAL DATA

UNLESS OTHERWISE SPECIFIED	REF 358480	DATE 10-6-69	TITLE ADJUSTABLE MAX. INST. DISPL. STOP P/C CONTROL
SURFACE FINISH 125/	DR S. B.	DATE 10-7-69	
2 PLACE DECIMALS ± .03	CHK HF	DATE 10-7-69	DWG SIZE D
3 PLACE DECIMALS ± .010	T O REL	DATE	
ANGULAR DIMENSIONS ± 2°	PROTO REL	DATE	CODE IDENT NO. 376064
CONCENTRICITY .010 TIR MAX.	PROD. REL HF	DATE 10-7-69	
REMOVE ALL BURRS & BREAK ALL EDGES .010 MAX.	STDS REVIEW	DATE	SCALE 1/1
MACHINE PER VS 1-3-3-1	MFG REVIEW	DATE	
MATERIAL	ENGRG APP	DATE	SHEET 1 OF 1
HEAT TREATMENT	APP	DATE 10-8-69	