

MAXIMUM SPEED RATINGS ARE INFLUENCED BY SPECIFIC GRAVITY, VISCOSITY AND SUCTION HEAD. PUMP SUCTION AND SPEED SHOULD BE RELATED SO THAT VACUUM AT PUMP INLET DOES NOT EXCEED 5 INCHES OF MERCURY FOR PETROLEUM OIL AND 3 INCHES FOR SYNTHETIC AND WATER GLYCOL FLUIDS.

**FLUIDS PERMISSIBLE**

PETROLEUM OIL WITH VISCOSITY RATINGS BETWEEN 150 AND 225 SSU AT 100°F IS RECOMMENDED.

SYNTHETIC FLUIDS (PHOSPHATE ESTERS AND CHLORINATED HYDROCARBONS) AND WATER GLYCOL FLUIDS AS PRODUCED BY RESPONSIBLE SOURCES FOR THE PURPOSES GIVEN HEREIN ARE RECOMMENDED. SELECT FLUIDS WITH A VISCOSITY AS CLOSE AS POSSIBLE TO THAT FOR PETROLEUM OIL DESCRIBED ABOVE. SPECIFIC GRAVITY NOT TO EXCEED 1.3

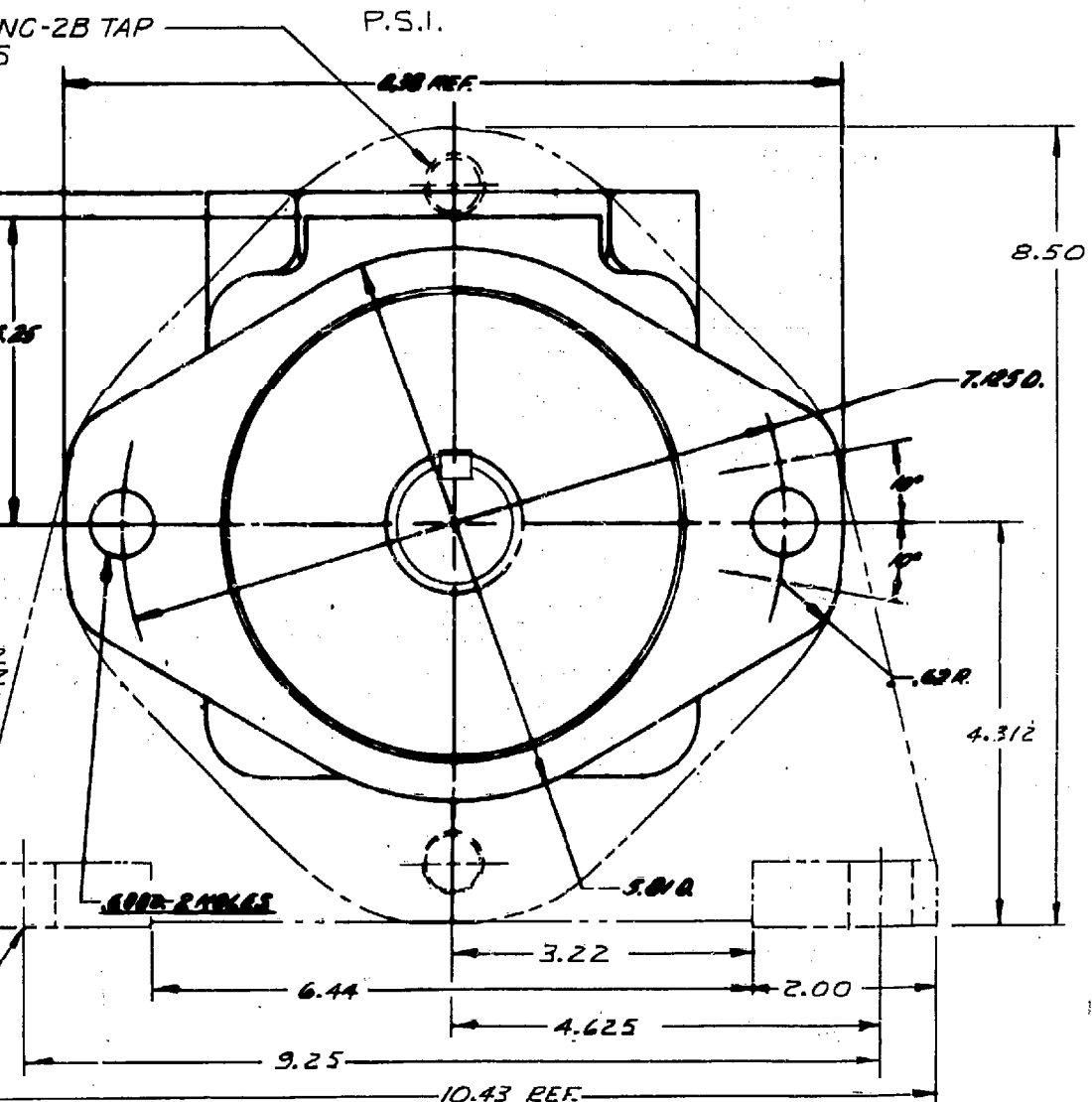
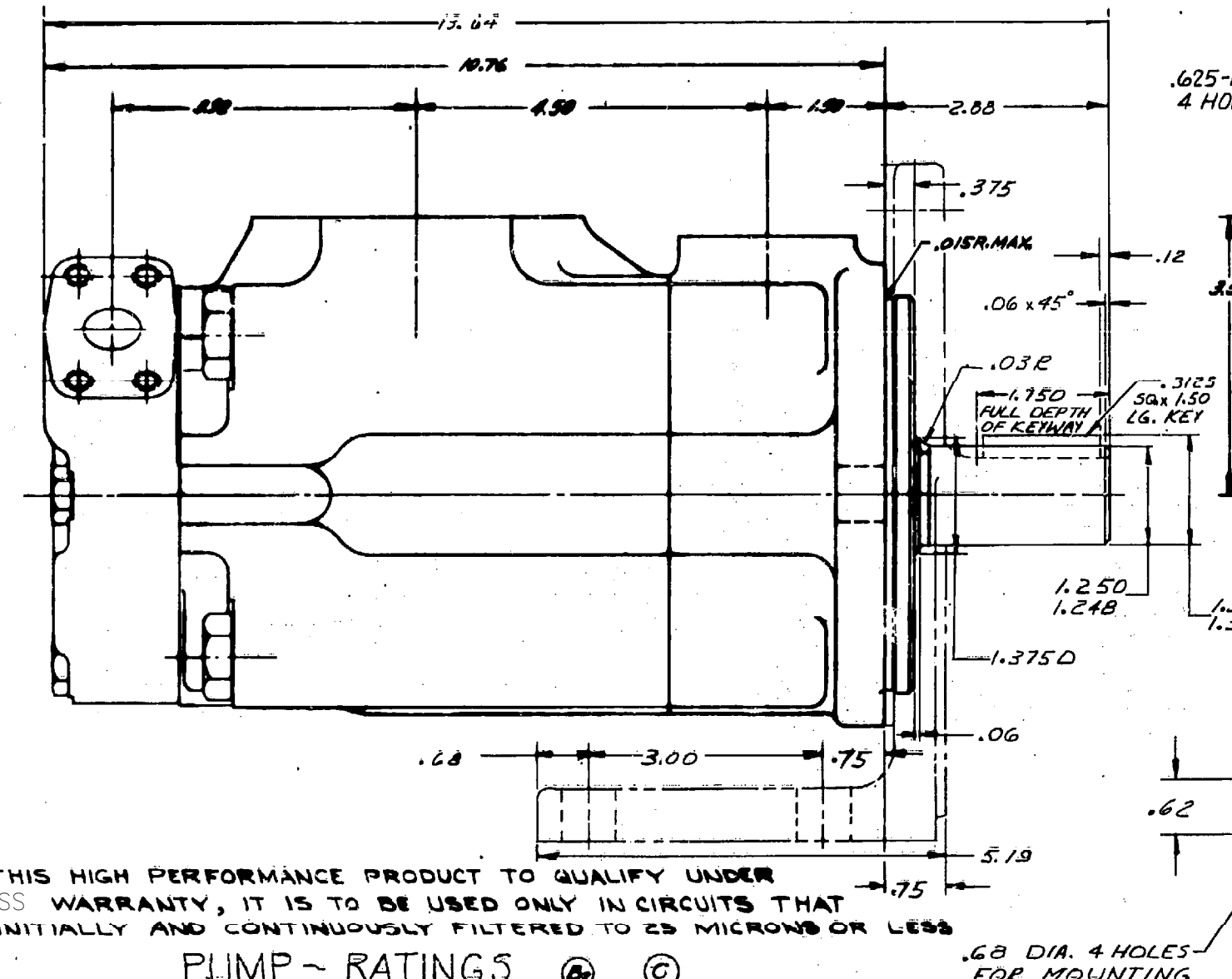
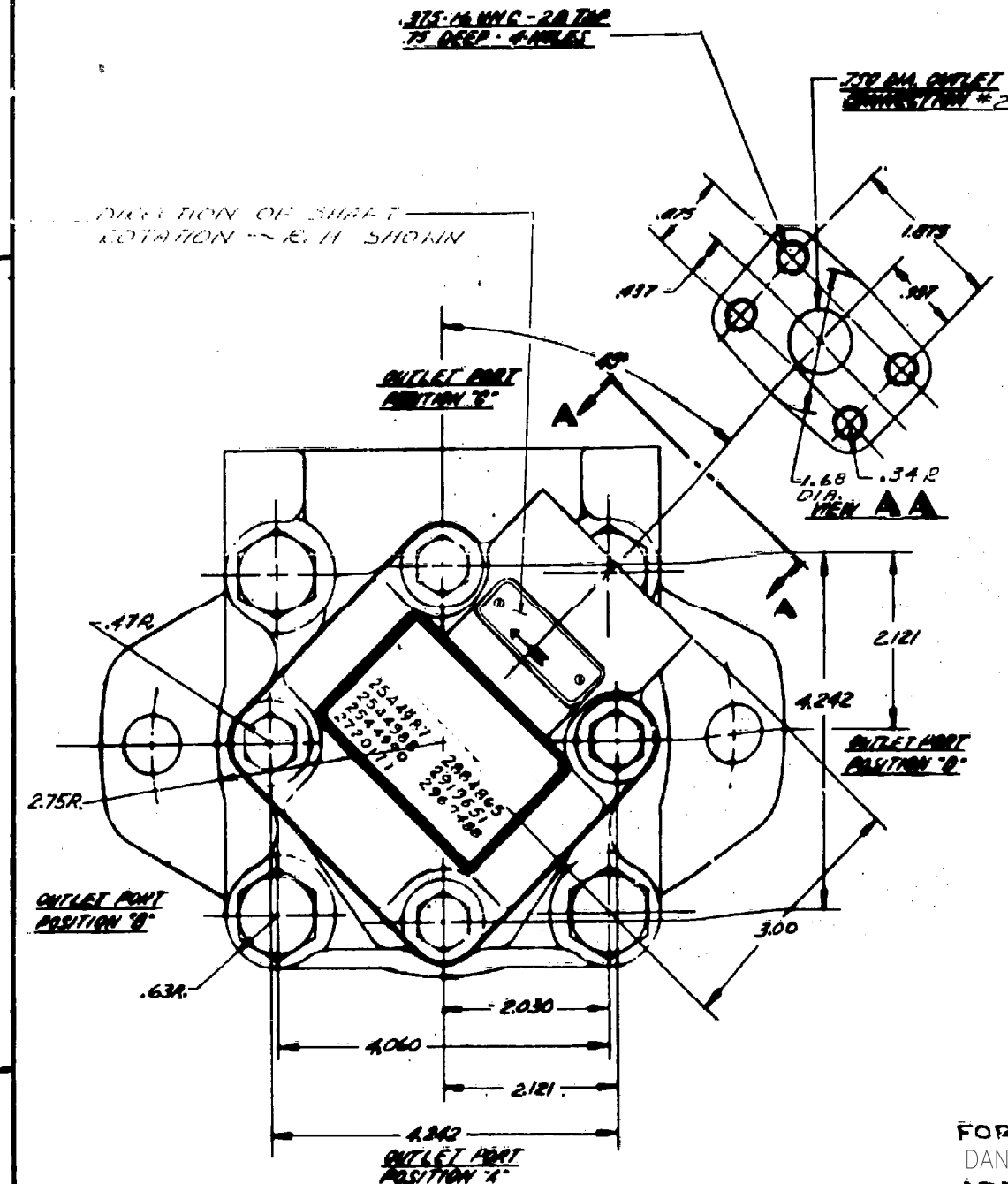
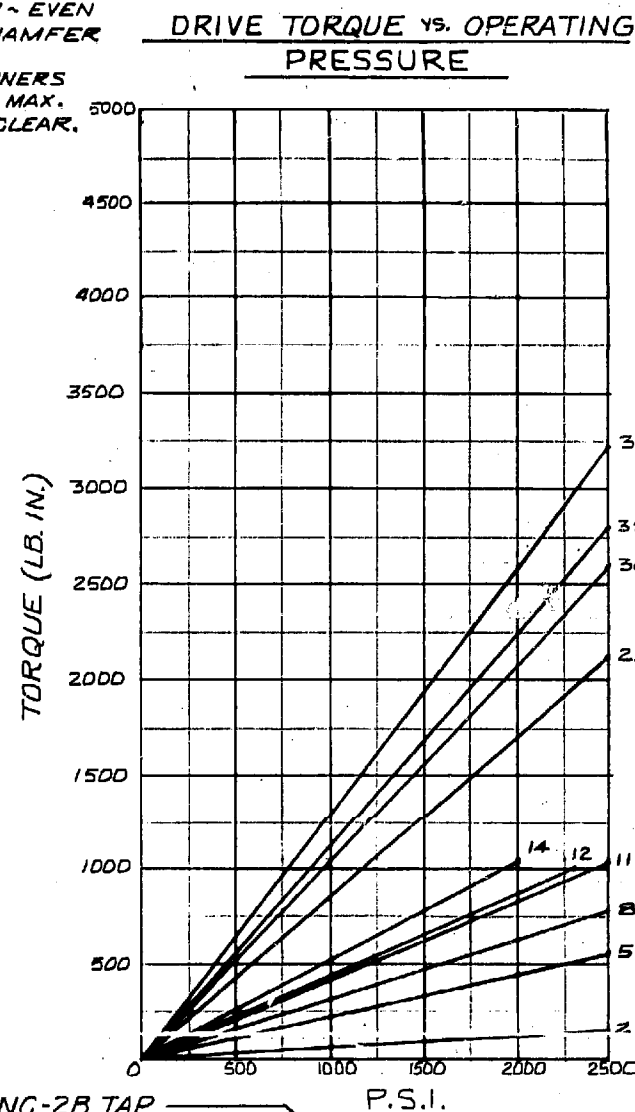
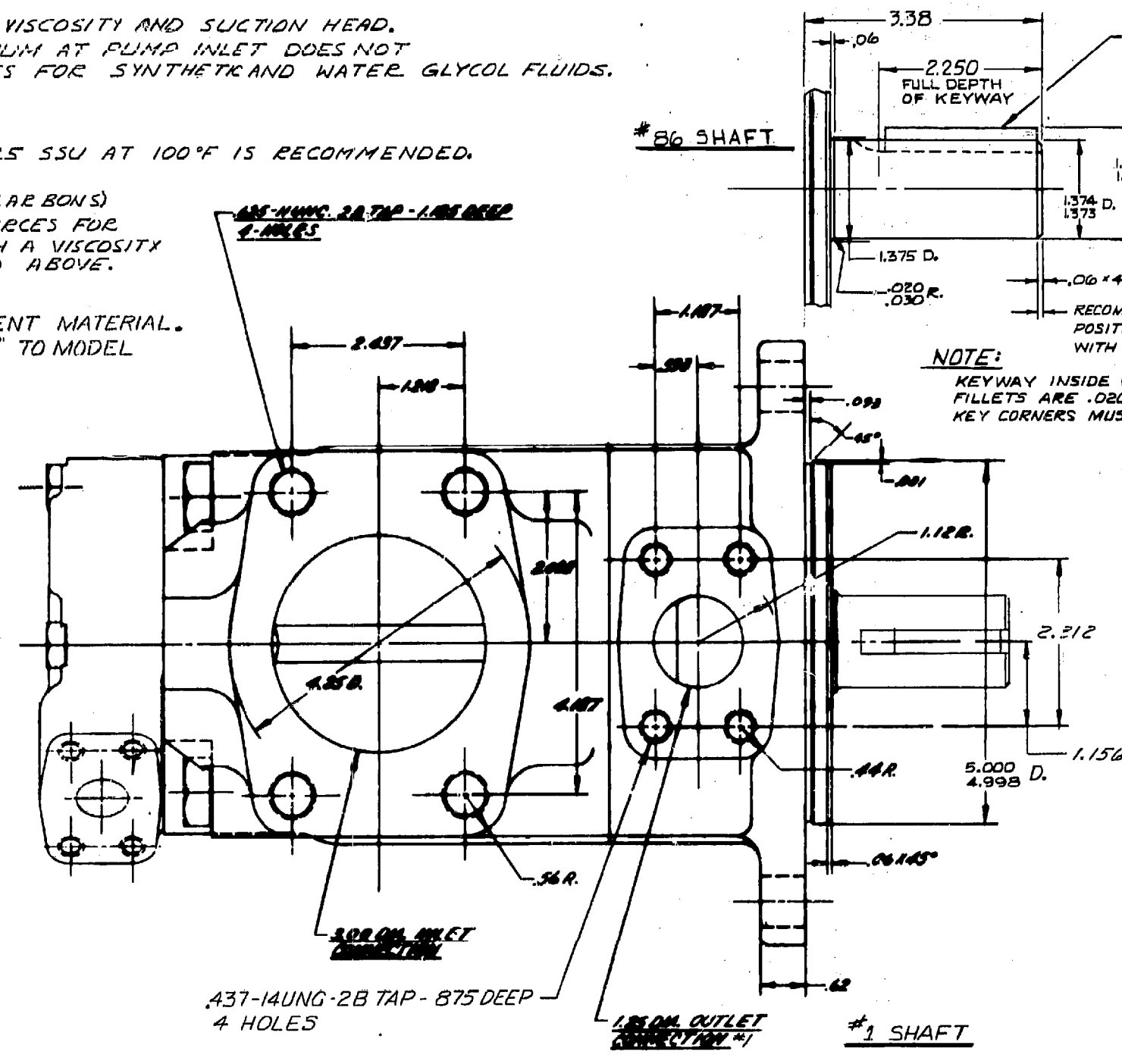
PUMPS FOR USE WITH SYNTHETIC FLUIDS REQUIRE SEALS MADE OF DIFFERENT MATERIAL. TO OBTAIN PUMPS EQUIPPED WITH THESE SPECIAL SEALS, ADD PREFIX "F3" TO MODEL NUMBER. EXAMPLE: F3-3520V\*\*A\*\*1\*\*10-18"

**PERFORMANCE RATING CHART FOR MAXIMUM SPEEDS**

**MINIMUM SHAFT TORQUES**

SHAFT #1 - THE OPERATING PRESSURE AT THE OUTLETS SHOULD BE SO BALANCED THAT THE COMBINED SHAFT TORQUE DOES NOT EXCEED 3600 LB. IN. OBTAIN TORQUE VALUES FOR BOTH RINGS FROM GRAPH.  
SHAFT #2 - NO TORQUE RESTRICTIONS WITHIN THE RATED OPERATING PRESSURE RANGES.

REV. NO.	DATE	APPROVED	DESCRIPTION
A1	1A		"F3" REMOVED FROM MODEL NO.
A2	1A		"MULTI-FLUID" REMOVED FROM TITLE BLOCK
A3	4D		"F3 SYNTHETIC FLUID" NOTE ADDED
A4	F3		MAX. INLET PRESS. WAS "25 PSI"
B1	F3		EGPH RING ADDED
B2	3A		EGPH RING SIZE ADDED
B3	2A		NOTE ADDED
C	3A		COVER END WAS HEAD END
D1	2D		*B6 SHAFT ADDED (B6)
D2	1C		GRAPH ADDED
D3	4D		MAX. SHAFT TORQUE ADDED



FOR THIS HIGH PERFORMANCE PRODUCT TO QUALIFY UNDER DANFOSS WARRANTY, IT IS TO BE USED ONLY IN CIRCUITS THAT ARE INITIALLY AND CONTINUOUSLY FILTERED TO 25 MICRONS OR LESS

**PUMP - RATINGS**

FLUID	MAX. SHAFT END PRESSURE - PSI	MAXIMUM COVER END PRESSURE		MAXIMUM SPEED RPM	MAXIMUM OIL TEMP.
		12	14		
GOOD GRADE PETROLEUM FLUID	2000	2.5, 8 & 11	2000	1800	150°F
		12	1800		
SAE 10W PETROLEUM OIL MEETING API CLASSIFICATION MS OR ITS INDUSTRIAL EQUIVALENT.	2200	2.5, 8 & 11	2200	1800	150°F
		12	1800		
SYNTHETIC FIRE RESISTANT FLUIDS.	2000	2.5, 8 & 11	2000	1200	SEE NOTE
		12	1800		
WATER GLYCOL FLUIDS	2000	ALL	1800	1200	130°F
		14	1800		

COVER END	SHAFT END
2 GPM	25 GPM
5 GPM	30 GPM
8 GPM	35 GPM
11 GPM	38 GPM
12 GPM	—
14 GPM	—

MAXIMUM INLET PRESSURE - STD. MODELS - 20 PSI "F3" MODELS - 5 PSI

NOTE: (SYNTHETIC FLUIDS) MAXIMUM AND MINIMUM TEMPERATURES DEPENDING ON MAINTAINING THE FOLLOWING VISCOSITIES:  
NORMAL OPERATING - 70 TO 250  
STARTING - 2000 MAXIMUM

NORMAL ROTATION IS COUNTER-CLOCKWISE FOR COUNTER-CLOCKWISE ROTATION AND SHOWN IN MODEL NUMBER.  
PUMP DRIVE - PUMP IS RECOMMENDED FOR DIRECT COAXIAL DRIVE. IF DRIVE'S IMPOSING RADIAL SHAFT LOADS ARE CONSIDERED, CONSULT THE DANFOSS SALES REPRESENTATIVE.

364460

INSTALLATION - INDUSTRIAL INTER-VANE QUIET DOUBLE PUMP

364460