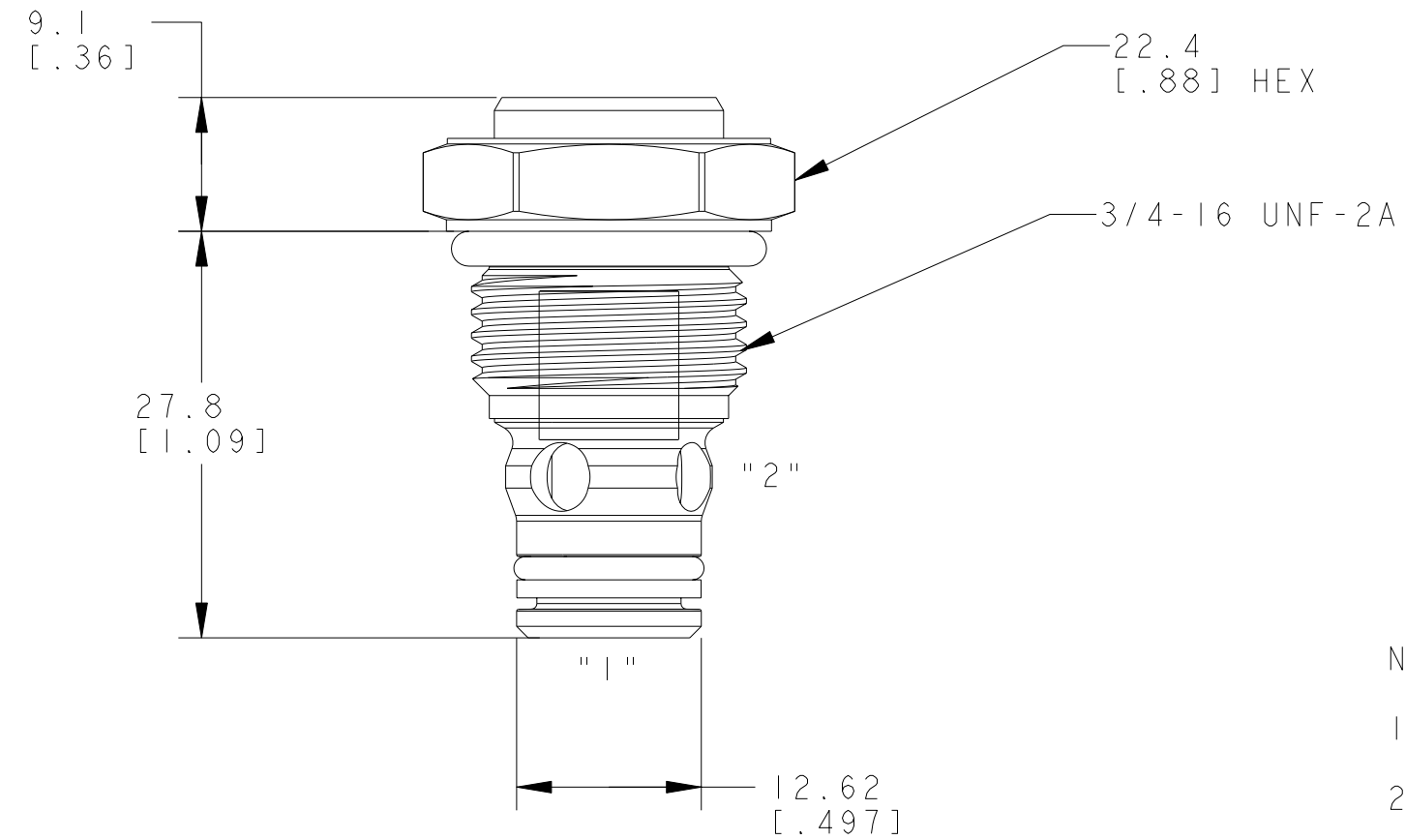
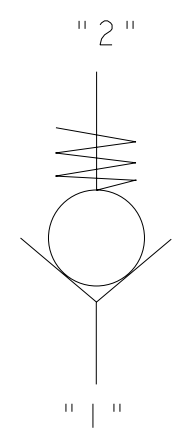


REV	DESCRIPTION	BY	CHK	DATE	ECN / MPS
A	ENGINEERING RELEASE	JGS	AH	2/12/05	M63978
B	REDRAWN AS ASSEMBLY WAS FAILING	NNS	NAS	7/21/08	0020045



NOTE:

- 1 USE VALVE CAVITY C-8-2
- 2 NET WEIGHT: .05 kg [.12 lb]
- 3 TORQUE INTO CAVITY:
ALUMINUM CAVITY: 34-41 N·m [25-30 lbf·ft]
STEEL CAVITY: 34-41 N·m [25-30 lbf·ft]



DISTRIBUTION CODE(S)

UNLESS OTHERWISE SPECIFIED ALL DIMENSIONS ARE IN INCHES <input type="checkbox"/> MILLIMETERS (INCHES) <input checked="" type="checkbox"/>	DRAWING BASED ON ANSI Y14.5M-1982	
	THE REPRODUCTION, DISTRIBUTION, AND UTILIZATION OF THIS DOCUMENT, AS WELL AS THE COMMUNICATION OF ITS CONTENTS TO OTHERS WITHOUT EXPLICIT AUTHORIZATION IS PROHIBITED. OFFENDERS WILL BE HELD LIABLE FOR THE PAYMENT OF DAMAGES. ALL RIGHTS RESERVED IN THE EVENT OF THE GRANT OF A PATENT, UTILITY MODEL, OR DESIGN. (PER ISO 16016)	
TOLERANCES .X ± .XX ± .XXX ± < ±	DRAWN JGS BY/DATE 9/30/04 CHECKED JGS BY/DATE 9/30/04 ENGRG NF BY/DATE 10/1/05 METALLURGY BY/DATE	MATERIAL/HEAT TREAT TITLE CHECK VALVE
UNSPECIFIED RADII ARE: ----	THIRD ANGLE PROJECTION DO NOT SCALE	NUMBER A-2591-002 SCALE 2/1 SHEET 1 OF 1
UNSPECIFIED DRAFT ANGLES ARE: ----° B SIZE	MICROINCHES <input type="checkbox"/> MICROMETERS (MICROINCHES) <input checked="" type="checkbox"/> ARITHMETICAL AVERAGE <input checked="" type="checkbox"/>	

