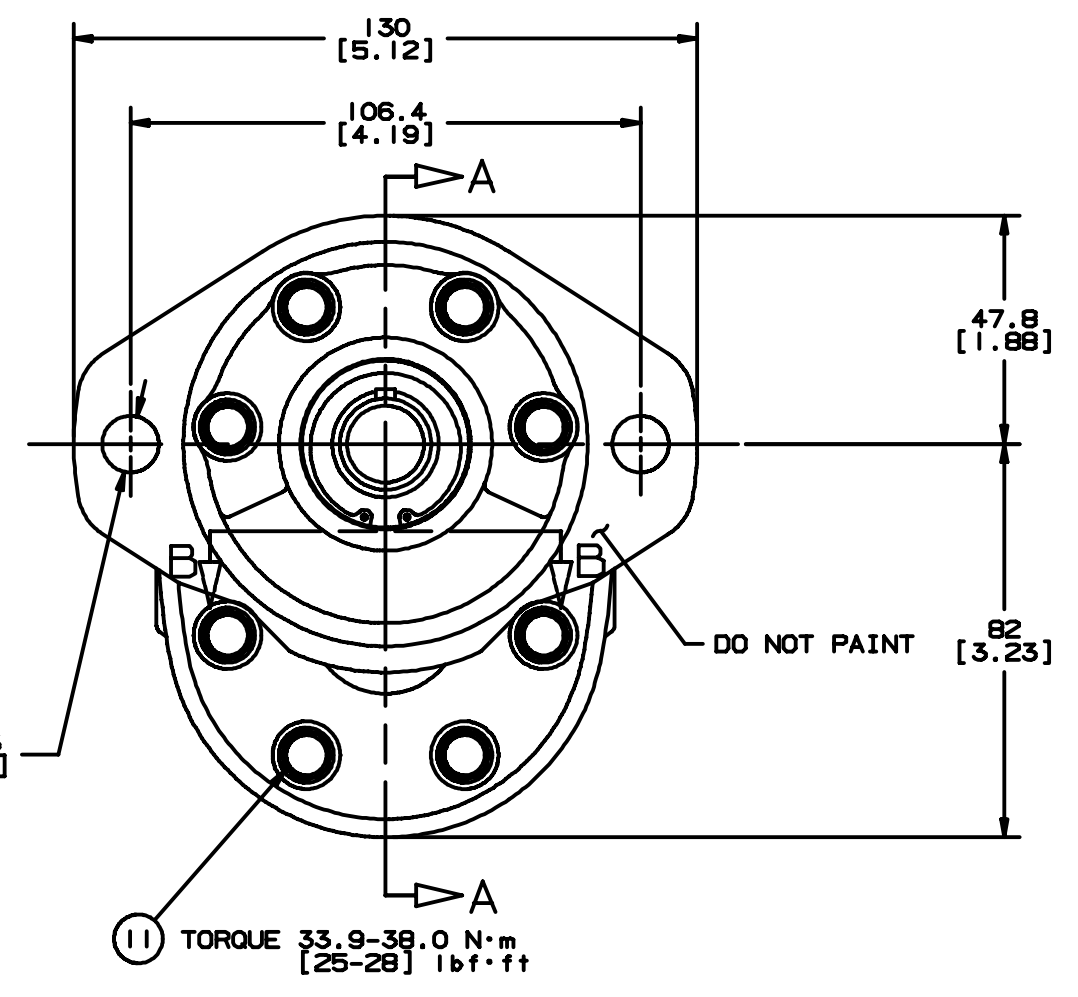
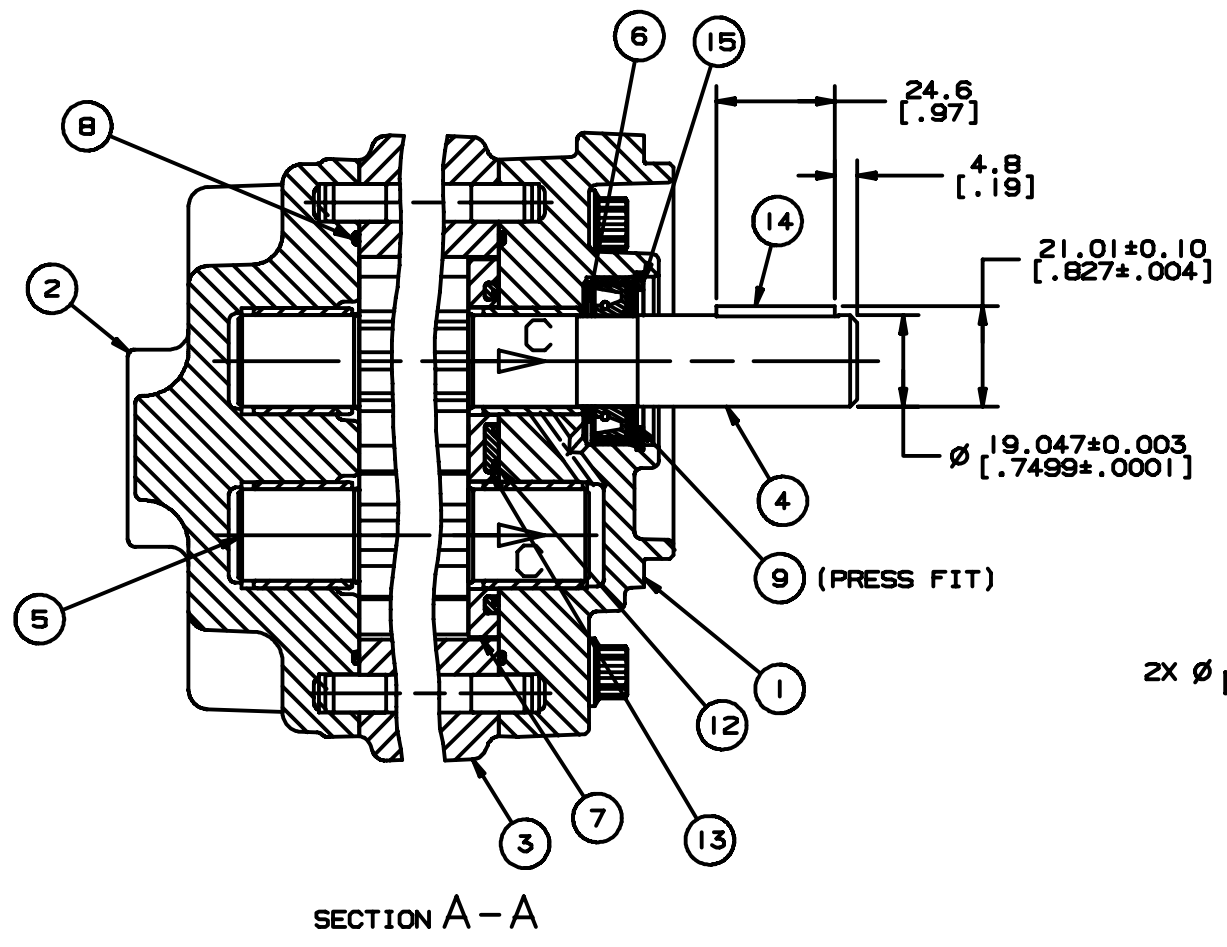
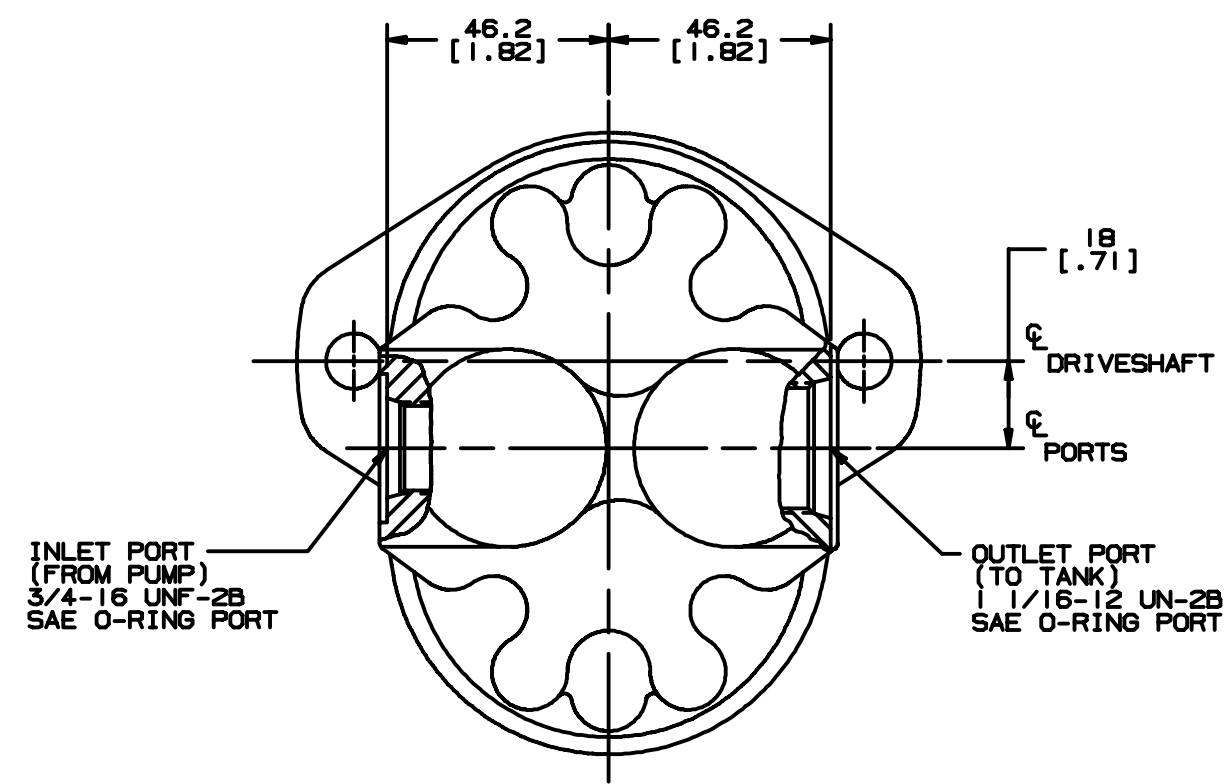
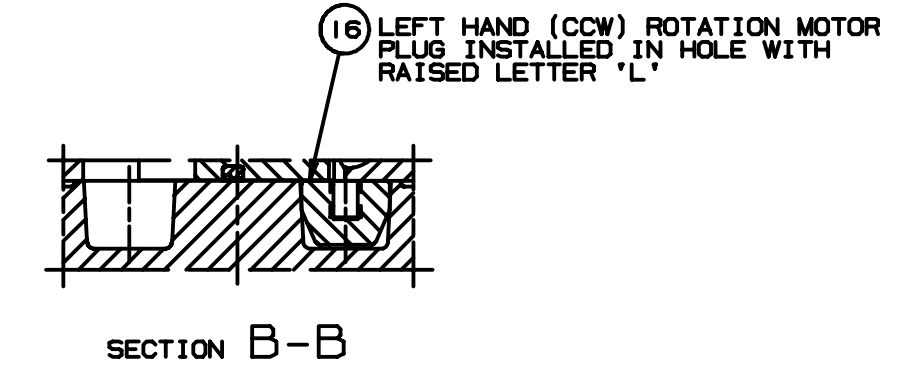
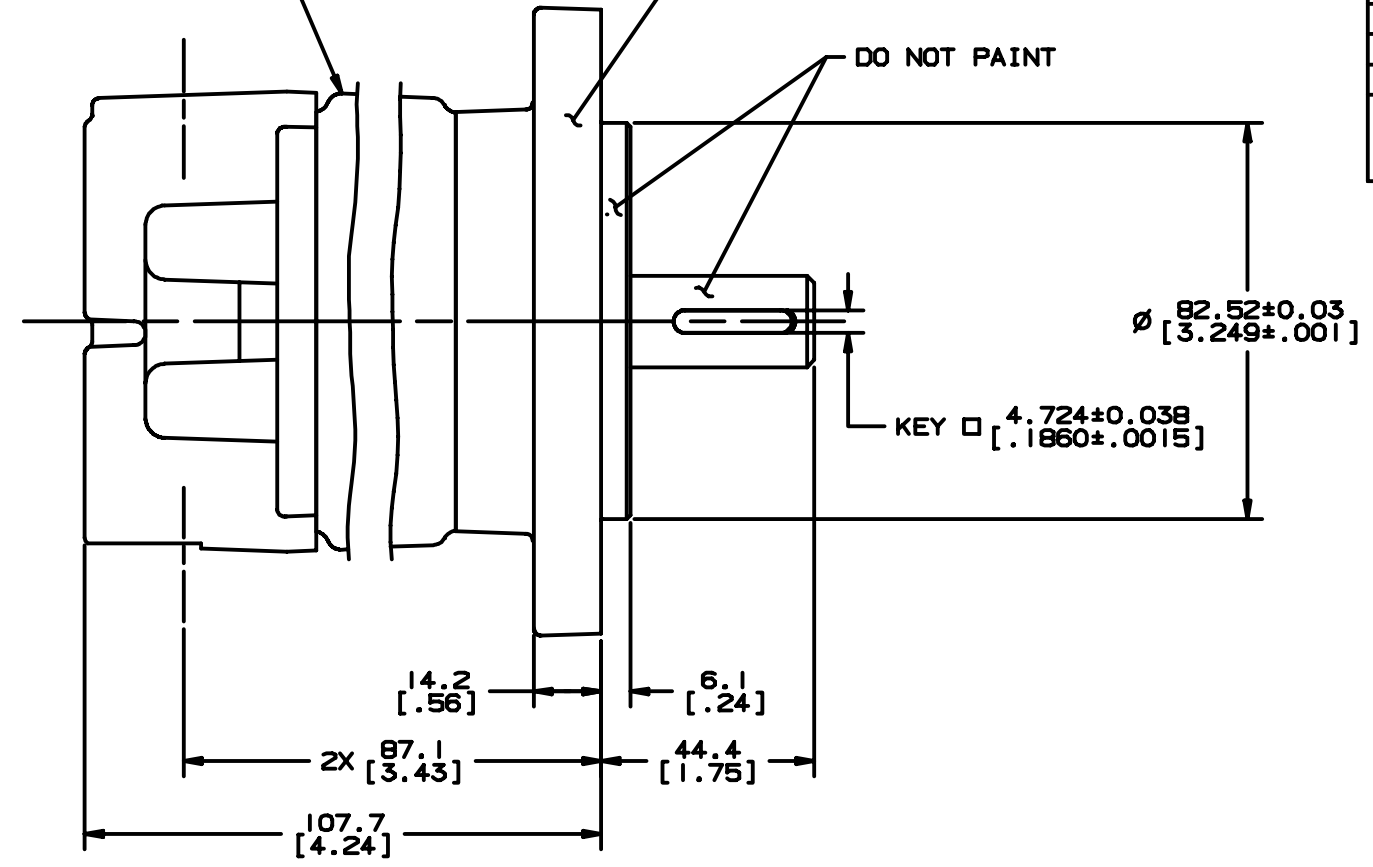


REV	DESCRIPTION	BY	CHK	DATE	ECN
A	RELEASE FOR SAMPLES AND ESTIMATE	JLY	RJA	1/3/97	M16549
B	ENGINEERING RELEASE	CMR	JLY	9/29/97	M18375
C	(1A) ADDED G H	CMR	LMD	10/23/97	30252
D	(8A) REMOVED ITEM 7 "WASHER 16048-27 NO REQD 1"	LMD	LMD	10/29/98	32062
E	REVISED	CEW	CEW	11/21/00	36458

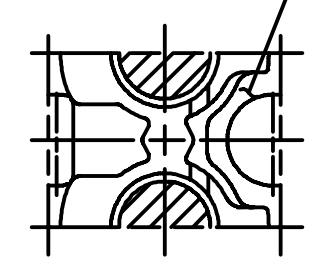
LETTER "H" WILL BE ON THIS SIDE FOR LEFT HAND (CCW) ROTATION MOTORS

MARK SERIAL CODE, ASSY NO, CHANGE LETTER, AND CUSTOMER NO APPROX HERE

DO NOT PAINT



LEFT HAND (CCW) ROTATION MOTOR OUTLET SIDE



UNLESS OTHERWISE SPECIFIED ALL DIMENSIONS ARE IN INCHES <input type="checkbox"/> MILLIMETERS (MM)	DRAWING BASED ON ANSI Y14.5M-1982 <small>THE REPRODUCTION, DISTRIBUTION, AND UTILIZATION OF THIS DOCUMENT, AS WELL AS THE COMMUNICATION OF ITS CONTENTS TO OTHERS WITHOUT EXPLICIT AUTHORIZATION IS PROHIBITED. OFFENDERS WILL BE HELD LIABLE FOR THE PAYMENT OF DAMAGES. ALL RIGHTS RESERVED IN THE EVENT OF THE GRANT OF A PATENT, UTILITY MODEL, OR DESIGN. (PER ISO 15076)</small>		
TOLERANCES .X A----- .XX A----- .XXX A----- < A-----	DESIGNER: J.L. YODD DATE: 2-19-97 DRAWN BY: RJA DATE: 9/9/97	MATERIAL/HWY TREAT: NOTED	FILE: GEAR MOTOR ASSY/INSTALLATION
UNSPECIFIED RADE1 ARE----- UNSPECIFIED DRAFT ANGLES ARE----- DRAWINGS FORMALLY CHECK BY: UNCHECKED	DATE: 9/12/97 THIRD ANGLE PROJECTION	NUMBER: 26707-LAA SCALE: 1/1	SHEET: 1 OF 1