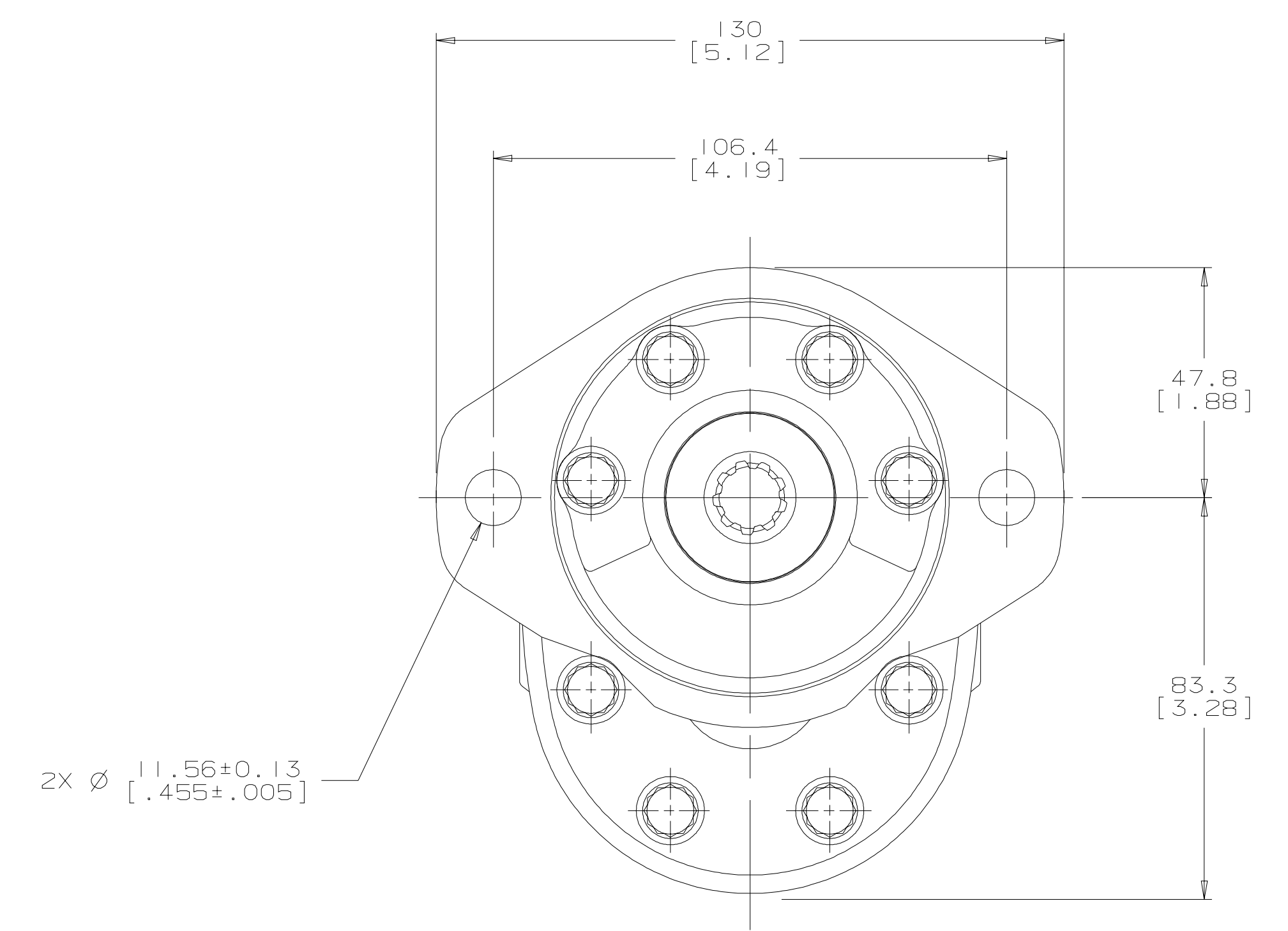
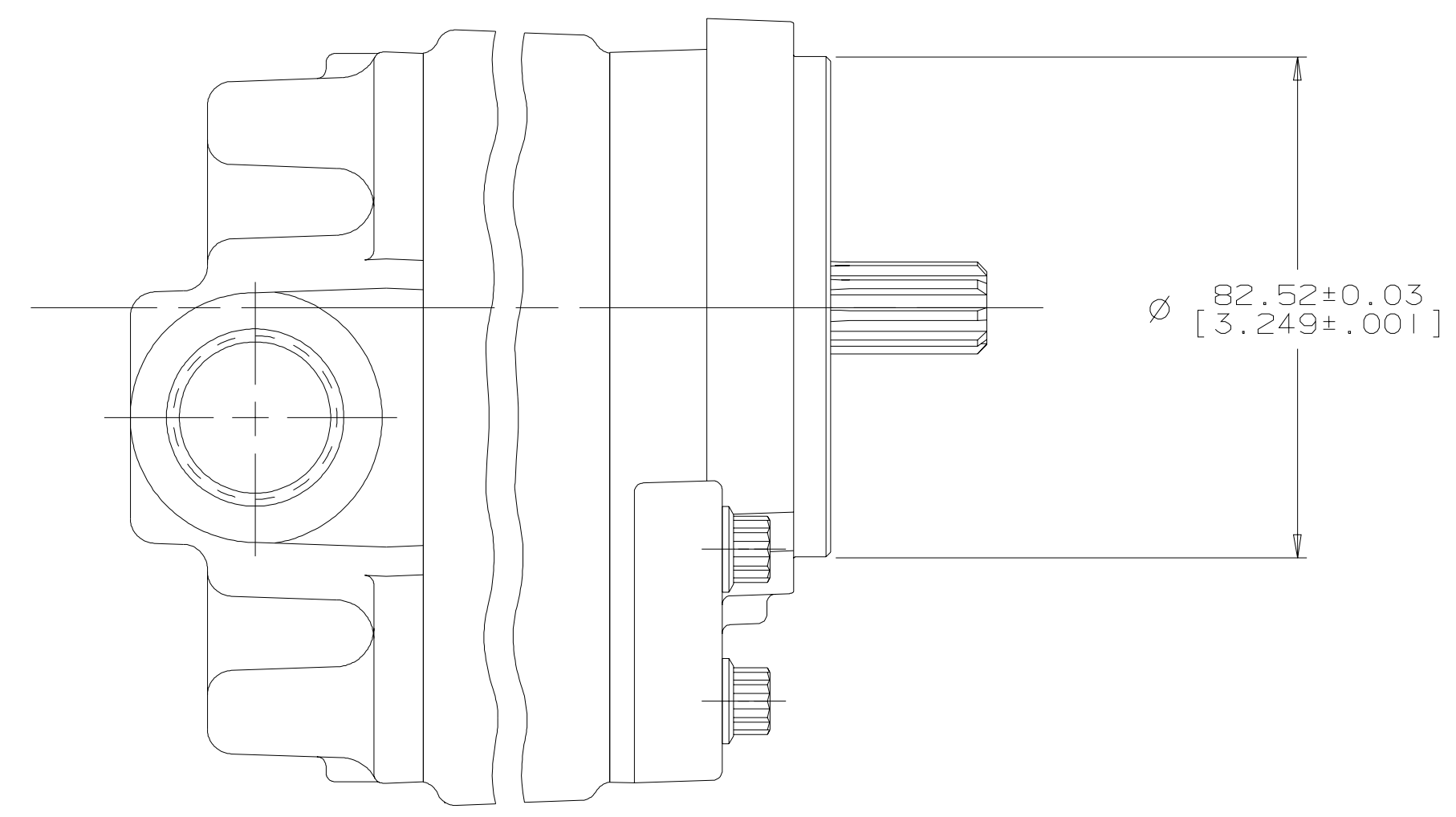
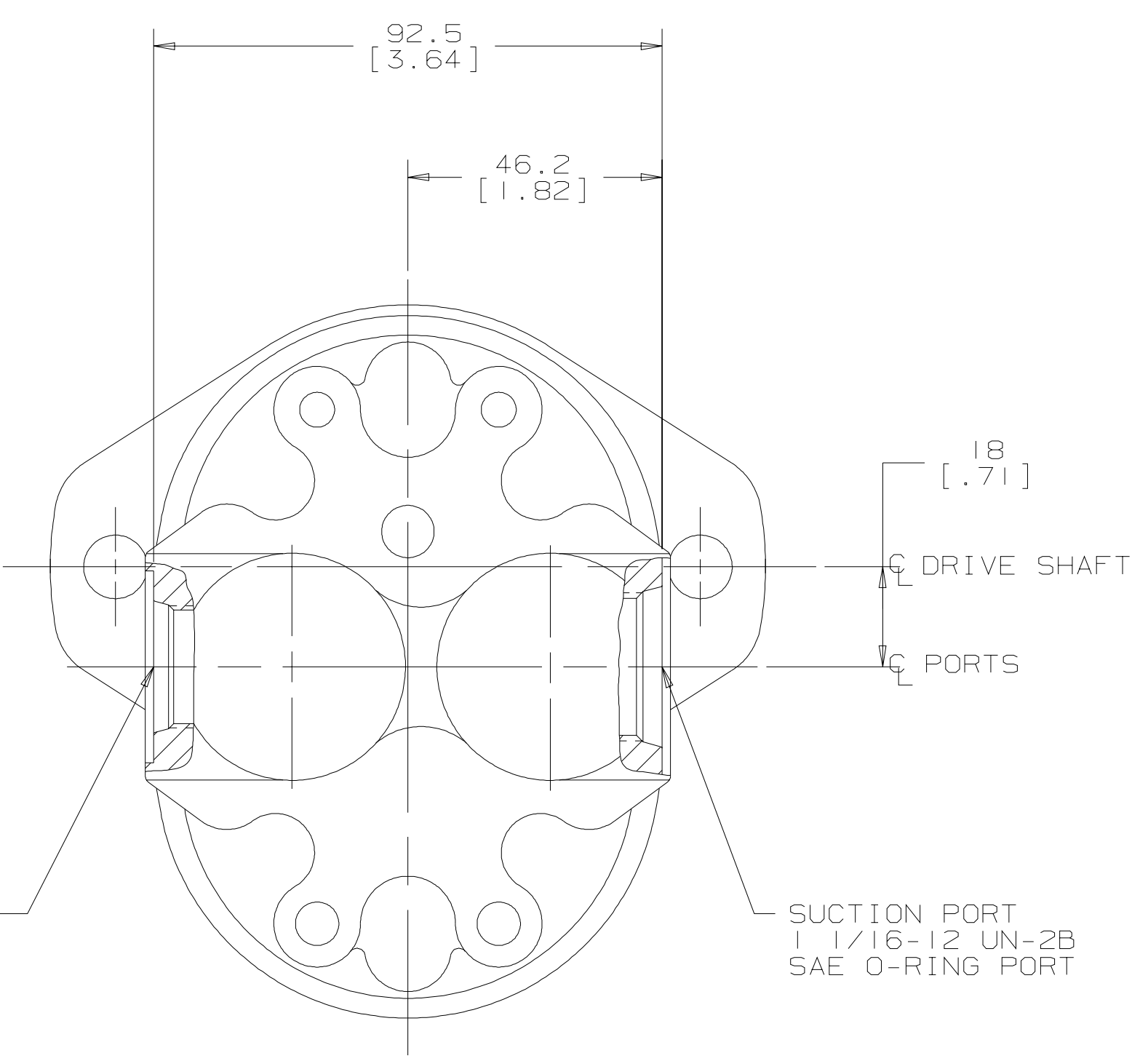
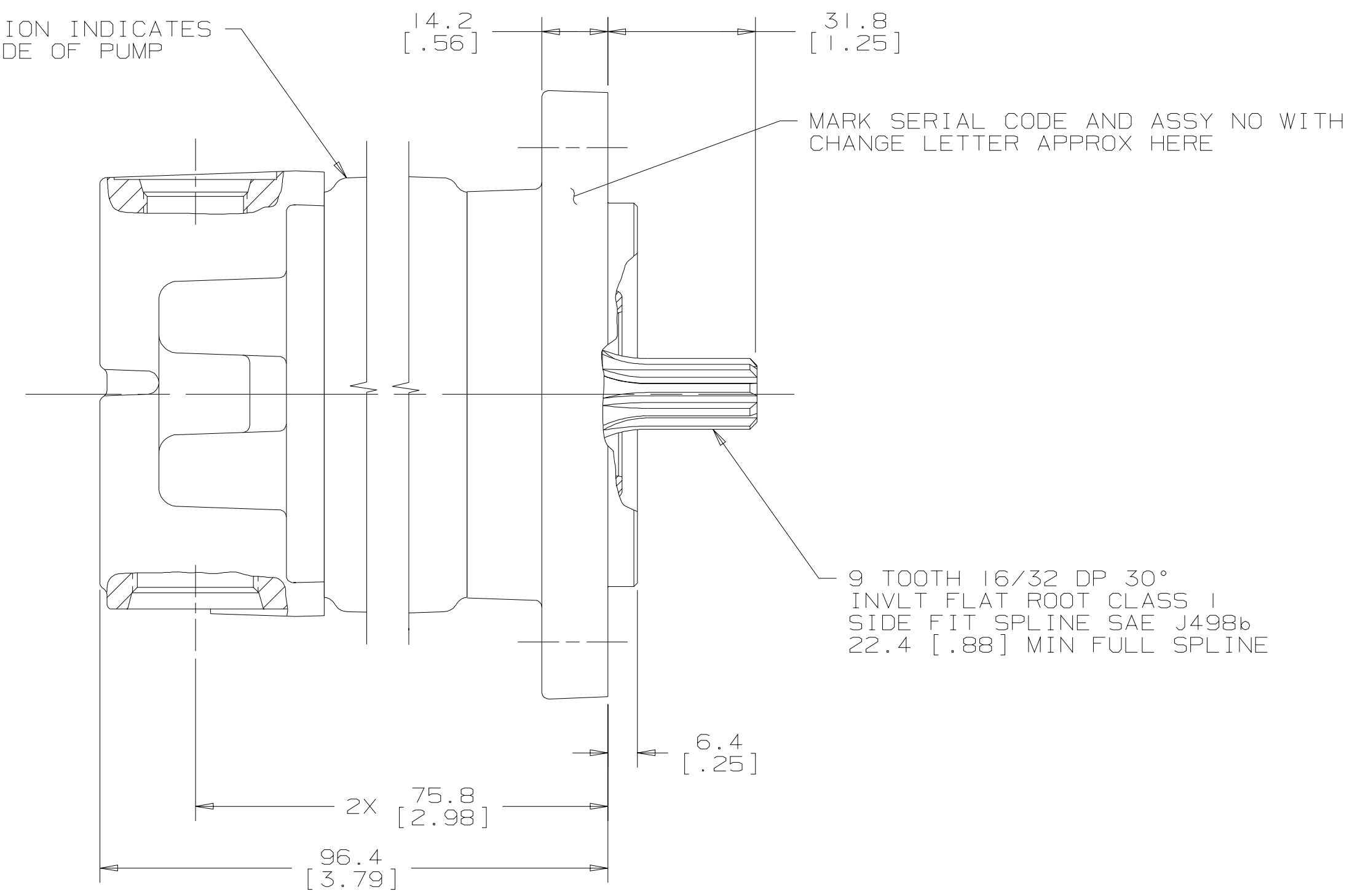


REV	DESCRIPTION	BY	CHK	DATE	ECN
A	ENGINEERING RELEASE	RES	JLY	1/17/97	M16763
B	(5C)WAS 65.8[2.59]	CMR	PJB	03/26/97	29386
C	-1)(6D)ADDED NOTE "H" ON BODY SECTION... -2)DELETED BOLT MARKINGS -3)UPDATED BACKPLATE	WSM	WSM	11/27/98	31483

"H" ON BODY SECTION INDICATES HIGH PRESSURE SIDE OF PUMP



UNLESS OTHERWISE SPECIFIED ALL DIMENSIONS ARE IN		DRAWING BASED ON ANSI Y14.5M-1982	
INCHES <input type="checkbox"/>	MILLIMETERS <input checked="" type="checkbox"/>	THE REPRODUCTION, DISTRIBUTION, AND UTILIZATION OF THIS DOCUMENT, AS WELL AS THE COMMUNICATION OF ITS CONTENTS TO OTHERS WITHOUT EXPLICIT AUTHORIZATION IS PROHIBITED. OFFENDERS WILL BE HELD LIABLE FOR THE PAYMENT OF DAMAGES. ALL RIGHTS RESERVED IN THE EVENT OF THE GRANT OF A PATENT, UTILITY MODEL, OR DESIGN. (PER ISO 16016)	
TOLERANCES			
.x	----		
.xx	+REF	DRWN BY/DATE RES 2/14/97	MATERIAL/HEAT TREAT
.xxx	+ONLY	CHECKED J L YOH BY/DATE 3-7-97	
UNSPECIFIED RADI ARE	----	ENGRD J L YOH BY/DATE 3-7-97	TITLE
UNSPECIFIED DRAFT ANGLES ARE	----	METALLURGY ----- BY/DATE	GEAR PUMP INSTALLATION
DRAWING FORMAT CAD <input checked="" type="checkbox"/> MANUAL <input type="checkbox"/>	THIRD ANGLE PROJECTION	MICROINCHES [MICROINCHES]	NUMBER
	DO NOT SCALE		26003-RAD
		SCALE 1/1	SHEET 1 OF 1