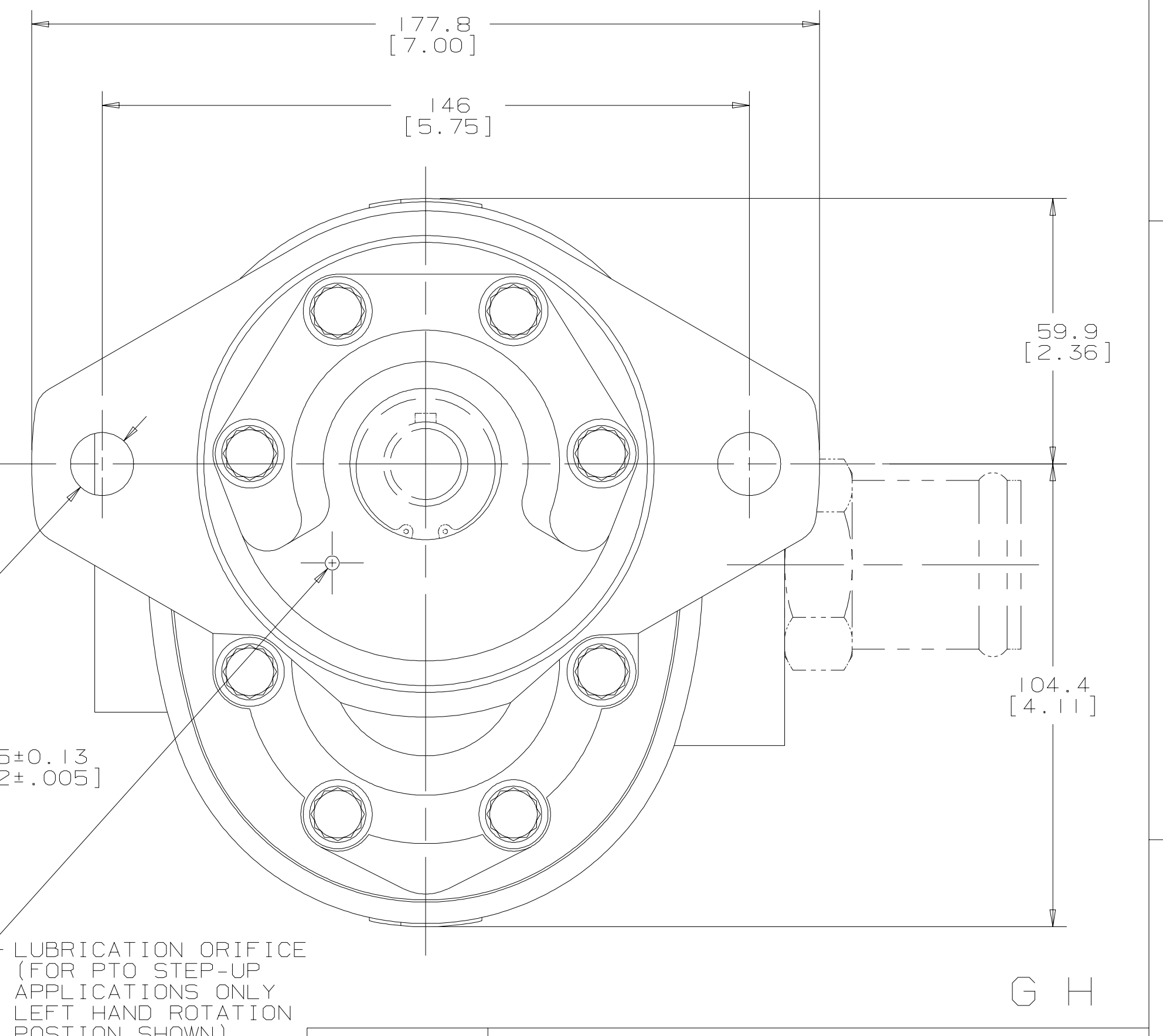
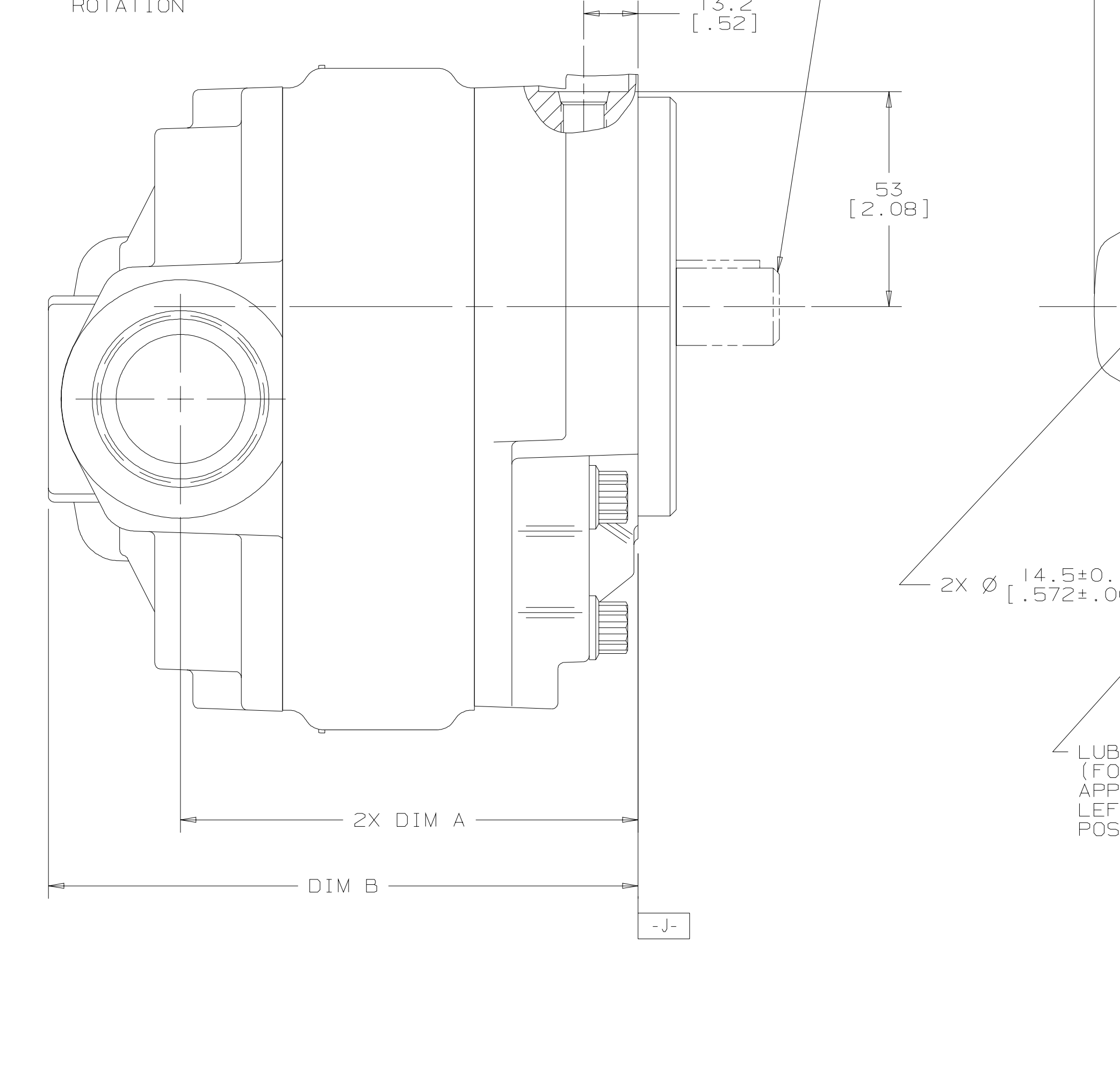
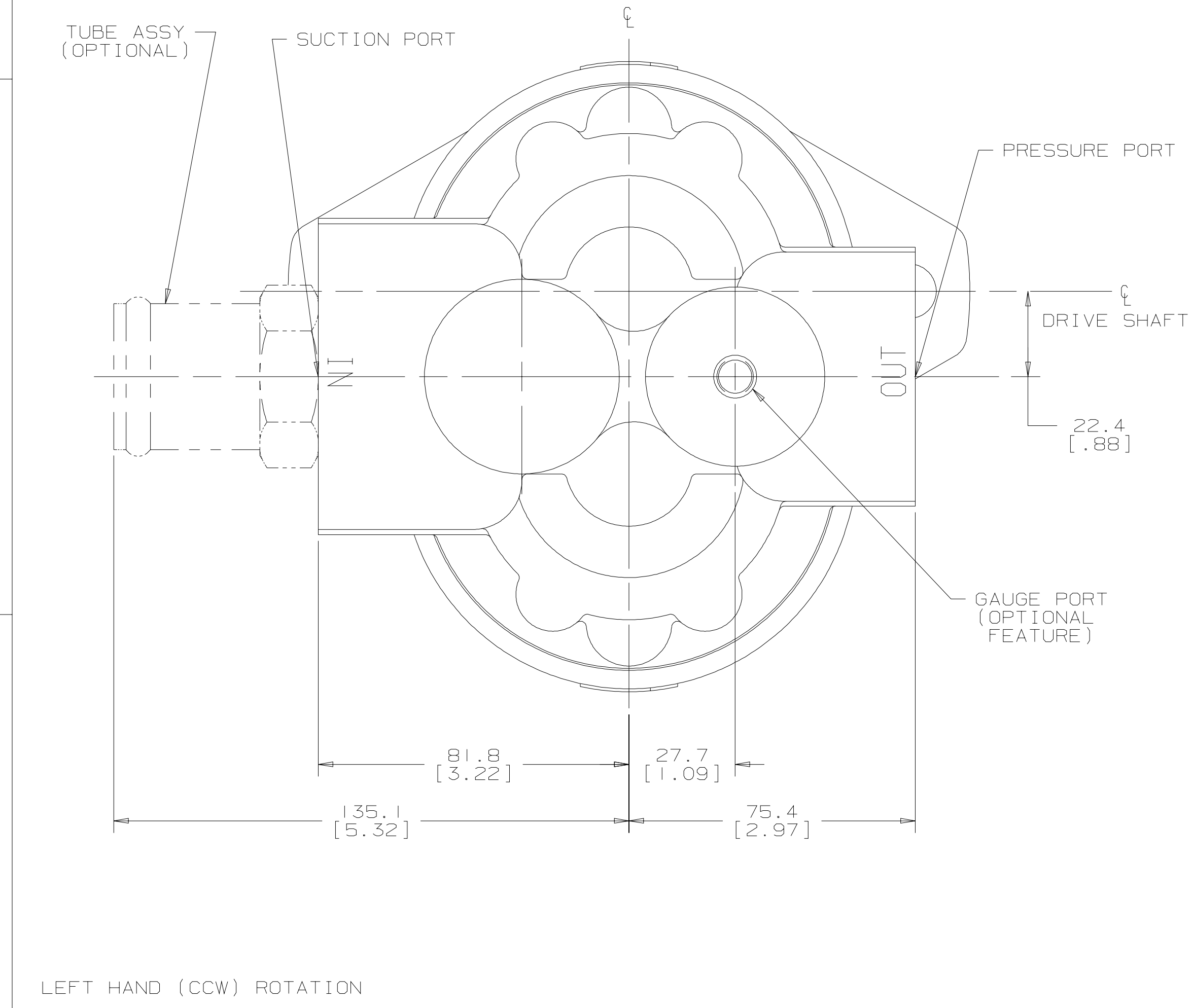
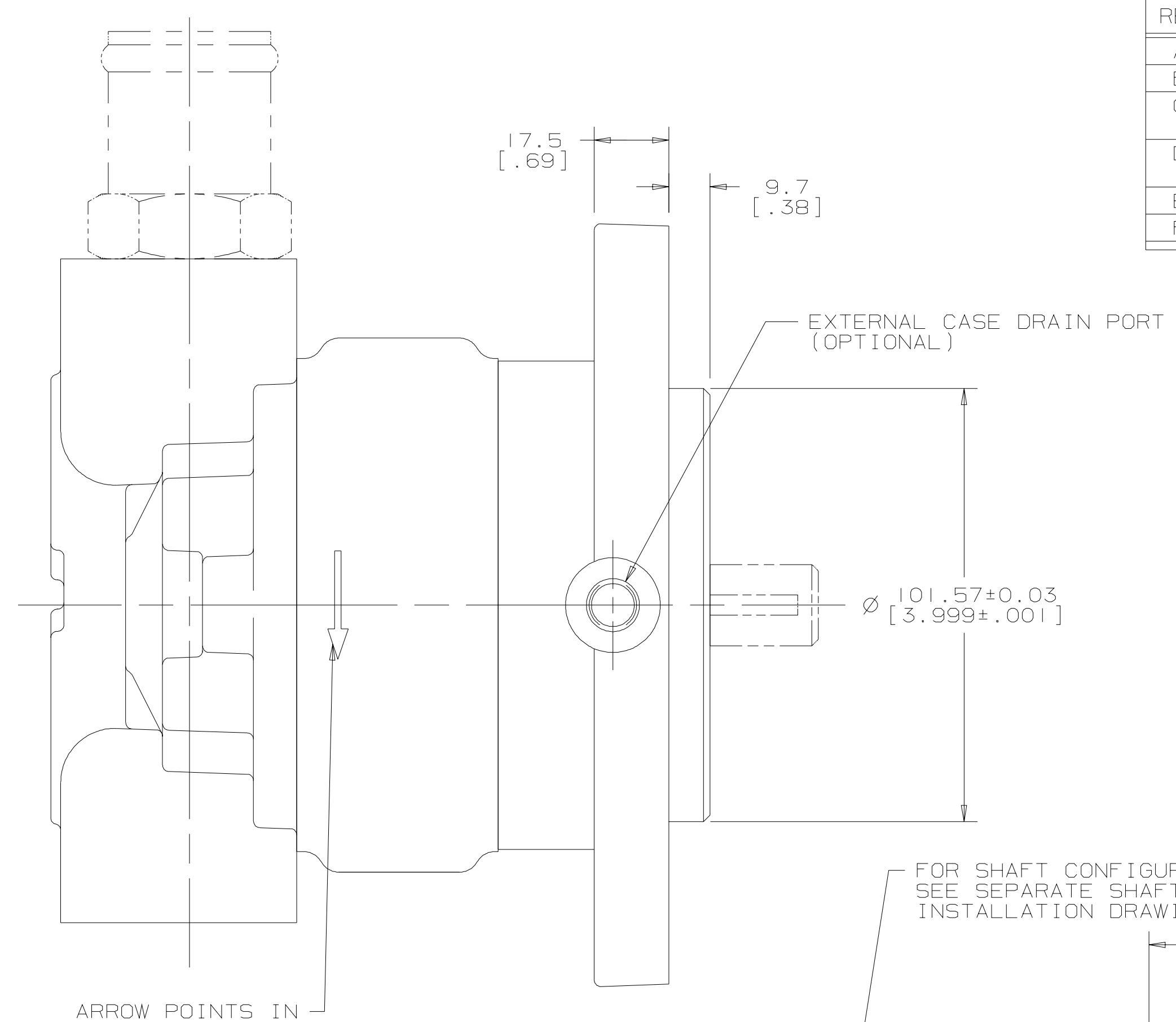
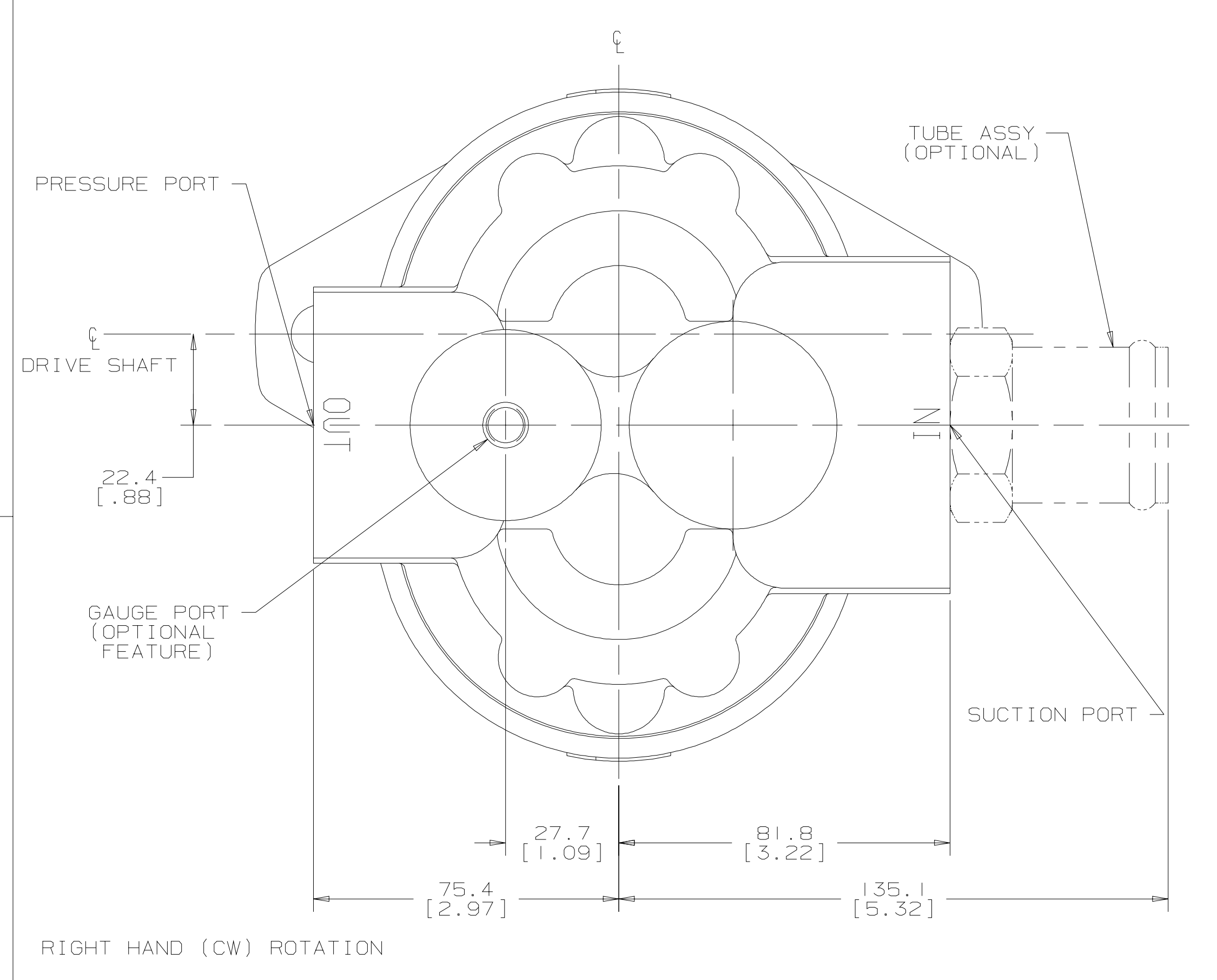


REV	DESCRIPTION	BY	CHK	DATE	ECN
A	ENGINEERING RELEASE	I JH	DLL	4/8/92	21480
B	REVISED PICTORIALLY	MAS	CMJ	8/14/92	22676
C	{3A} ADDED "LEFT HAND ROTATION POSITION SHOWN" TO "LUBRICATION ORIFICE" CALLOUT	JLY	LMD	4/9/97	M17171
D	ADDED "EXTERNAL CASE DRAIN PORT" OPTION IN FRONTPLATE WITH DIMENSIONS	CEW	CEW	12-16-03	M60620
E	{7B}{7D} ADDED GAUGE PORT OPTION	CEW	CEW	3-17-05	51096
F	ADDED DIMS FOR 18.4 cm <sup>3</sup> /r [1.12 in <sup>3</sup> /r]	CEW	CEW	5-11-05	M64677

DISPLACEMENT	DIMENSIONS	
	DIM A	DIM B
18.4 cm <sup>3</sup> /r [1.12 in <sup>3</sup> /r]	83.2 [3.27]	115.5 [4.55]
21.3 cm <sup>3</sup> /r [1.30 in <sup>3</sup> /r]	84.8 [3.34]	117.3 [4.62]
25.4 cm <sup>3</sup> /r [1.55 in <sup>3</sup> /r]	88.2 [3.47]	120.8 [4.75]
29.2 cm <sup>3</sup> /r [1.78 in <sup>3</sup> /r]	91.7 [3.61]	124.2 [4.89]
33.6 cm <sup>3</sup> /r [2.05 in <sup>3</sup> /r]	95.1 [3.75]	127.7 [5.03]
38.2 cm <sup>3</sup> /r [2.33 in <sup>3</sup> /r]	98.6 [3.88]	131.1 [5.16]
42.8 cm <sup>3</sup> /r [2.61 in <sup>3</sup> /r]	102 [4.02]	134.6 [5.30]
46.7 cm <sup>3</sup> /r [2.85 in <sup>3</sup> /r]	105.3 [4.14]	137.8 [5.42]
51.1 cm <sup>3</sup> /r [3.12 in <sup>3</sup> /r]	109 [4.29]	141.5 [5.57]
55.2 cm <sup>3</sup> /r [3.37 in <sup>3</sup> /r]	112.4 [4.43]	145.0 [5.71]



UNLESS OTHERWISE SPECIFIED ALL DIMENSIONS ARE IN		DRAWING BASED ON ANSI Y14.5M-1982	
INCHES <input type="checkbox"/>	MILLIMETERS <input checked="" type="checkbox"/>	THE REPRODUCTION, DISTRIBUTION, AND UTILIZATION OF THIS DOCUMENT, AS WELL AS THE COMMUNICATION OF ITS CONTENTS TO OTHERS WITHOUT EXPLICIT AUTHORIZATION IS PROHIBITED. OFFENDERS WILL BE HELD LIABLE FOR THE PAYMENT OF DAMAGES. ALL RIGHTS RESERVED IN THE EVENT OF THE GRANT OF A PATENT, UTILITY MODEL, OR DESIGN. (PER ISO 16016)	
TOLERANCES			
.xx +REF	DRN: I JH 10/29/91	MATERIAL/HEAT TREAT	
.xxx +ONLY	CHK: CMJ 5/22/92		
UNSPECIFIED RADII ARE	ENGR: JCW 6/29/92	TITLE	
---	METALLURGY	GEAR PUMP INSTALLATION	
UNSPECIFIED DRAFT ANGLES ARE	THIRD ANGLE PROJECTION	MICROINCHES	NUMBER
---	DO NOT SCALE	MICROMETERS	A-479-000
DRAWING FORMAT	ARTHEMATICAL AVERAGE	SCALE	SHEET 1 OF 1
CAD <input checked="" type="checkbox"/> MANUAL <input type="checkbox"/>			