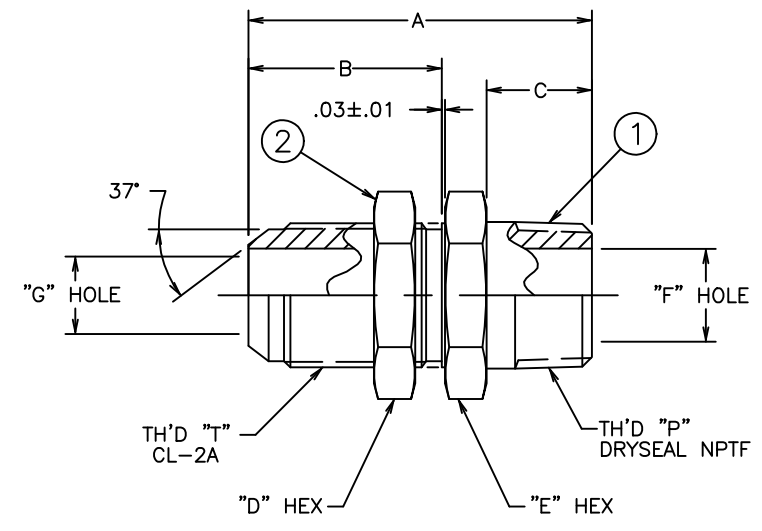


PART NUMBER	TH'D "P"	TH'D "T"	A REF	B REF	C REF	D REF	E REF	F REF	G REF
2240-2-4S	1/8-27	7/16-20	1.84	1.20	.40	.69	.69	.17	.17
2240-4-4S	1/4-18	7/16-20	2.03	1.20	.58	.69	.69	.28	.17
2240-4-6S	1/4-18	9/16-18	2.12	1.28	.58	.81	.81	.28	.28
2240-6-8S	3/8-18	3/4-16	2.36	1.44	.58	1.00	1.00	.39	.39
2240-8-10S	1/2-14	7/8-14	2.71	1.58	.76	1.12	1.12	.48	.48
2240-12-12S	3/4-14	1 1/16-12	2.92	1.75	.76	1.38	1.38	.72	.61
2240-16-16S	1-11 1/2	1 5/16-12	3.11	1.75	.96	1.62	1.62	.84	.84

REVISIONS			
REV.	DESCRIPTION	DATE	APPROVED
L	REDRAWN - SUPERSEDES 2240-S SHEET 1/2 REV "K" & SHEET 2 REV "K" REVISED TO AGREE WITH DETAIL DRAWINGS	9-10-93	EN-F14222 DAI-17511



2240-16-16S	2240-1-16-16S	210212-16S		
2240-12-12S	2240-1-12-12S	210212-12S		
2240-8-10S	2240-1-8-10S	210212-10S		
2240-6-8S	2240-1-6-8S	210212-8S		
2240-4-6S	2240-1-4-6S	210212-6S		
2240-4-4S	2240-1-4-4S	210212-4S		
2240-2-4S	2240-1-2-4S	210212-4S		
PART NUMBER	① ADAPTER	② JAM NUT		

LIST OF MATERIALS

ITEM NO.	MATERIAL	DRAWN	DATE	FLUID CONVEYANCE DIVISION
1	STEEL	K DOTSON	9-10-93	 DRAWING TITLE ADAPTER SAE 37° MALE FLARE BULKHEAD WITH JAM NUT TO MALE PIPE SIZE (CAGE) CODE NO. DRAWING NUMBER C 01276 2240-S SHEET
2	STEEL	R GARRETT	9-15-93	
		R GARRETT	9-15-93	
		EN-F14222	9-15-93	
		DAI-17511		
		APPROVED	U	

THE REPRODUCTION, DISTRIBUTION AND UTILIZATION OF THIS DOCUMENT AS WELL AS THE COMMUNICATION OF ITS CONTENTS TO OTHER WITHOUT EXPLICIT AUTHORIZATION IS PROHIBITED. OFFENDERS WILL BE HELD LIABLE FOR THE PAYMENT OF DAMAGES. ALL RIGHT RESERVED IN THE EVENT OF THE GRANT OF A PATENT, UTILITY MODEL OR DESIGN. (PER ISO 16016)