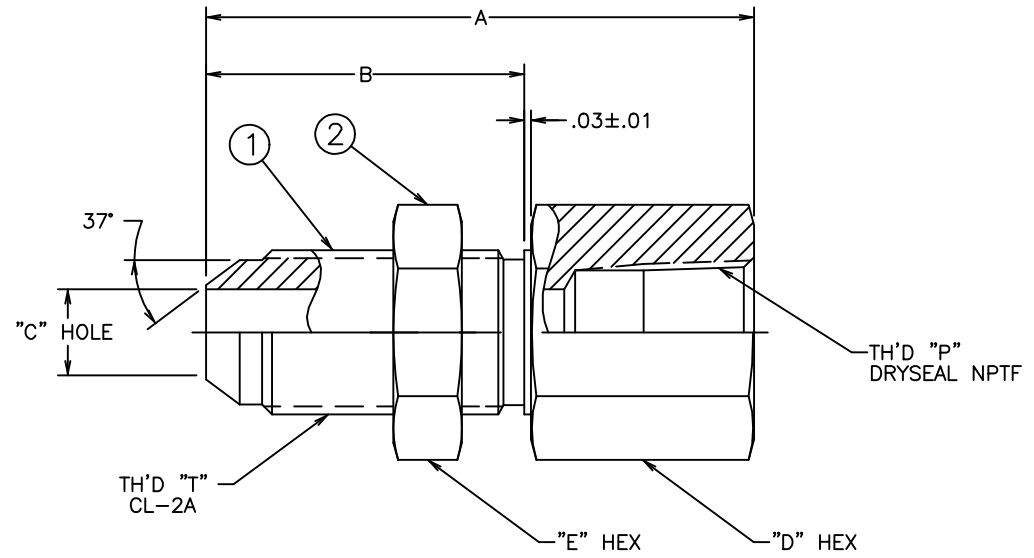


PART NUMBER	TH'D "P"	TH'D "T"	A REF	B REF	C REF	D REF	E REF
2239-2-4S	1/8-27	7/16-20	2.08	1.20	.17	.69	.69
2239-4-6S	1/4-18	9/16-18	2.15	1.28	.30	.75	.81
2239-6-8S	3/8-18	3/4-16	2.48	1.44	.39	1.00	1.00
2239-8-10S	1/2-14	7/8-14	2.84	1.58	.48	1.12	1.12
2239-12-12S	3/4-14	1 1/16-12	3.05	1.75	.61	1.38	1.38
2239-16-16S	1-11 1/2	1 5/16-12	3.25	1.75	.84	1.62	1.62

REVISIONS			
REV.	DESCRIPTION	DATE	APPROVED
G	REDRAWN - LAST REV. "F" UPDATED TO AGREE WITH DETAIL DRAWINGS (1) ADDED 2239-8-8S	9-17-93	EN-F14298 DAI-17511
H	(1) ADDED 2239-4-6S	5-29-98 RDG	EN-F17929 RPS-2556
J	1) REMOVED PART NO. 2239-8-8S	2005-8-19 VJS/KBM	EN-F28368 DP-1639

① ② ③



① ② ③

2239-16-16S	2239-1-16-16S	210212-16S		
2239-12-12S	2239-1-12-12S	210212-12S		
2239-8-10S	2239-1-8-10S	210212-10S		
2239-6-8S	2239-1-6-8S	210212-8S		
2239-4-6S	2239-1-4-6S	210212-6S		
2239-2-4S	2239-1-2-4S	210212-4S		
PART NUMBER	① ADAPTER	② LOCKNUT		

LIST OF MATERIALS

ITEM NO.	MATERIAL	DRAWN R.D.GARRETT	DATE 9-17-93	FLUID CONVEYANCE DIVISION
1	STEEL	CHECKED R.D.GARRETT	DATE 9-17-93	
2	STEEL	APPROVED R.D.GARRETT	DATE 9-17-93	
PROJECT NO. EN-F14298 APPROVED DATE ITEM TYPE MEAA				DRAWING TITLE ADAPTER SAE 37° MALE FLARE BULKHEAD TO FEMALE PIPE DRAWING NUMBER 2239-S SHEET

THE REPRODUCTION, DISTRIBUTION AND UTILIZATION OF THIS DOCUMENT AS WELL AS THE COMMUNICATION OF ITS CONTENTS TO OTHER WITHOUT EXPLICIT AUTHORIZATION IS PROHIBITED. OFFENDERS WILL BE HELD LIABLE FOR THE PAYMENT OF DAMAGES. ALL RIGHT RESERVED IN THE EVENT OF THE GRANT OF A PATENT, UTILITY MODEL OR DESIGN. (PER ISO 16016)