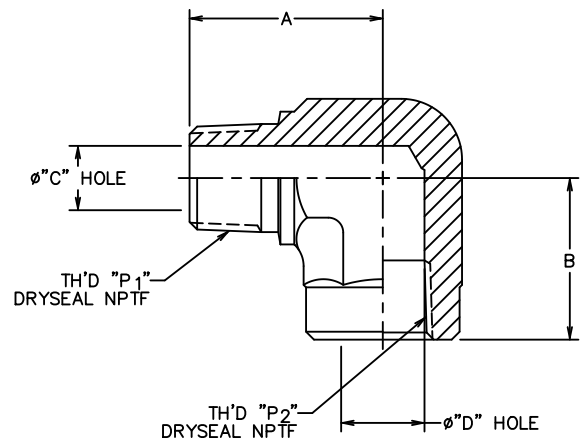


PART NUMBER	WEATHERHEAD CATALOG NUMBER	TH'D "P1"	TH'D "P2"	A REF	B REF	C REF	D REF
2089-2-2S	C3409X2	1/8-27	1/8-27	19.8 [.78]	16.8 [.66]	4.8 [.19]	7.4 [.29]
2089-2-4S	C3409X2X4	1/8-27	1/4-18	22.9 [.90]	22.4 [.88]	4.8 [.19]	9.9 [.39]
2089-4-2S	C3409X4X2	1/4-18	1/8-27	27.7 [1.09]	17 [.67]	7.1 [.28]	7.4 [.29]
2089-4-4S	C3409X4	1/4-18	1/4-18	27.7 [1.09]	22.4 [.88]	7.1 [.28]	9.9 [.39]
2089-4-6S	C3409X4X6	1/4-18	3/8-18	31 [1.22]	25.9 [1.02]	7.1 [.28]	13.5 [.53]
2089-6-4S	C3409X6X4	3/8-18	1/4-18	31 [1.22]	25.7 [1.01]	10.4 [.41]	9.9 [.39]
2089-6-6S	C3409X6	3/8-18	3/8-18	31 [1.22]	25.9 [1.02]	10.4 [.41]	13.5 [.53]
2089-6-8S	C3409X6X8	3/8-18	1/2-14	32.5 [1.28]	31.2 [1.23]	10.4 [.41]	16.5 [.65]
2089-8-6S	C3409X8X6	1/2-14	3/8-18	37.3 [1.47]	25.7 [1.01]	13.5 [.53]	13.5 [.53]
2089-8-8S	C3409X8	1/2-14	1/2-14	37.3 [1.47]	31.2 [1.23]	13.5 [.53]	16.5 [.65]
2089-8-12S	C3409X8X12	1/2-14	3/4-14	40.4 [1.59]	34.5 [1.36]	13.5 [.53]	21.6 [.85]
2089-12-8S	C3409X12X8	3/4-14	1/2-14	40.4 [1.59]	34.3 [1.35]	18.3 [.72]	16.5 [.65]
2089-12-12S	C3409X12	3/4-14	3/4-14	40.4 [1.59]	34.5 [1.36]	18.3 [.72]	21.6 [.85]
2089-16-16S	C3409X16	1-11 1/2	1-11 1/2	50 [1.97]	41.1 [1.62]	23.9 [.94]	26.9 [1.06]
2089-20-20S	C3409X20	1 1/4-11 1/2	1 1/4-11 1/2	60.5 [2.38]	43.2 [1.70]	31.8 [1.25]	35.6 [1.40]
2089-24-24S	C3409X24	1 1/2-11 1/2	1 1/2-11 1/2	67.1 [2.64]	52.8 [2.08]	38.1 [1.50]	41.7 [1.64]
2089-32-32S	C3409X32	2-11 1/2	2-11 1/2	76.2 [3.00]	60.7 [2.39]	49 [1.93]	55.6 [2.19]

REVISIONS			
REV	DESCRIPTION	DATE	APPROVED
AP	REDRAWN. UPDATED TO DANFOSS FORMAT & DIMENSION STYLE. 1) ADDED 2089-32-32S PART.	2014-03-28 UPK/DHS	0095959-ECO



AP

METRIC

- MATERIAL: STEEL.
- DIMENSIONS ARE IN MILLIMETERS [INCHES].

DRAWN U. KADAKOL CHECKED D. SHEWALE APPROVED J. SNYDER RELEASE DATE 2014-03-28 0095959-ECO	FLUID CONVEYANCE DIVISION DRAWING TITLE ADAPTER 90° STREET ELBOW (SAE #140239)
THIRD ANGLE PROJECTION 	SIZE A2 SCALE NONE DIST U CAGE CODE 01276 SHEET 1
DRAWING NUMBER 2089-S REV AP	
<small>THE REPRODUCTION, DISTRIBUTION AND UTILIZATION OF THIS DOCUMENT AS WELL AS THE COMMUNICATION OF ITS CONTENTS TO OTHERS WITHOUT EXPLICIT AUTHORIZATION IS PROHIBITED. OFFENDERS WILL BE HELD LIABLE FOR THE PAYMENT OF DAMAGES. ALL RIGHT RESERVED IN THE EVENT OF THE GRANT OF A PATENT, UTILITY MODEL OR DESIGN. (PER ISO 16016)</small>	