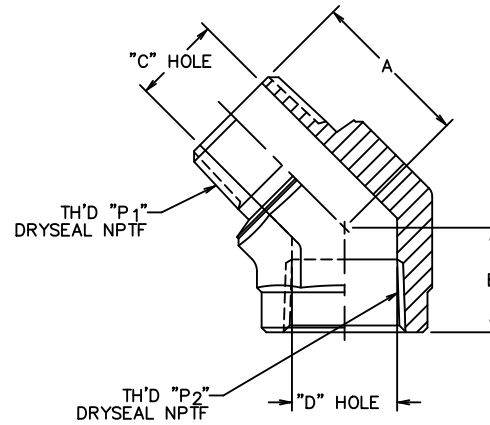


PART NUMBER	WEATHERHEAD CATALOG NUMBER	TH'D "P1"	TH'D "P2"	A REF	B REF	C REF	D REF
2088-2-2S	C3359X2	1/8-27	1/8-27	.72	.47	.19	.29
2088-4-4S	C3359X4	1/4-18	1/4-18	1.05	.62	.28	.39
2088-6-6S	C3359X6	3/8-18	3/8-18	1.06	.72	.41	.53
2088-8-8S	C3359X8	1/2-14	1/2-14	1.34	.91	.53	.65
2088-12-12S	C3359X12	3/4-14	3/4-14	1.38	.97	.72	.85
2088-16-16S	C3359X16	1-11 1/2	1-11 1/2	1.72	1.12	.94	1.06

Ⓚ



REVISIONS			
REV.	DESCRIPTION	DATE	APPROVED
1	(1) ADDED WEATHERHEAD CATALOG NUMBERS	2003-01-12 JEEJ/W.R.H.	EN-F25447 DP-1537

DRAWN J. EBERSOLE		Danfoss FLUID CONVEYANCE DIVISION	
CHECKED W.R.HYDE			
APPROVED W.R.HYDE		DRAWING TITLE ADAPTER	
RELEASE DATE 2003-12-01		45° STREET ELBOW (SAE #140339)	
EN-F25477		SIZE A2	
DP-1513		DRAWING NUMBER 2088-S	
THIRD ANGLE PROJECTION		REV K	
SCALE 1:1		SHEET 1	
DIST U		CAGE CODE 01276	
<small>THE REPRODUCTION, DISTRIBUTION AND UTILIZATION OF THIS DOCUMENT AS WELL AS THE COMMUNICATION OF ITS CONTENTS TO OTHERS WITHOUT EXPLICIT AUTHORIZATION IS PROHIBITED. OFFENDERS WILL BE HELD LIABLE FOR THE PAYMENT OF DAMAGES. ALL RIGHT RESERVED IN THE EVENT OF THE GRANT OF A PATENT, UTILITY MODEL OR DESIGN. (PER ISO 18016)</small>			

1. MATERIAL: STEEL

DWG. NO. 2088-S SH. REV. K