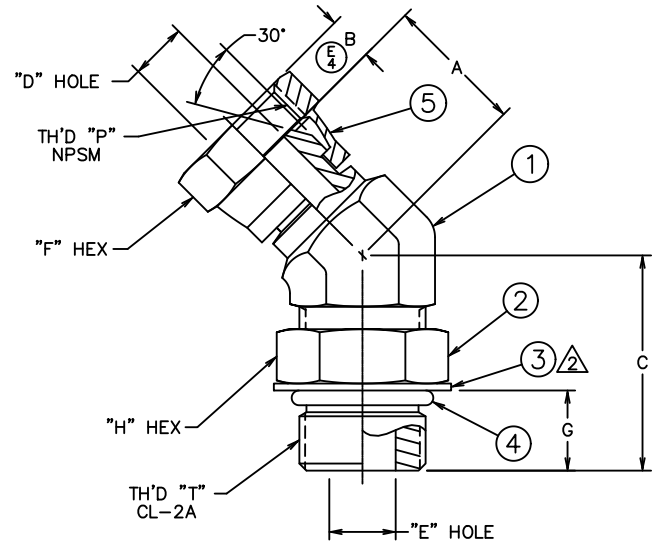


WEATHERHEAD PART NUMBER	PART NUMBER	TH'D "P"	TH'D "T"	A REF	B REF	C REF	D REF	E REF	F REF (INCH)	G MIN	H REF (INCH)
9365X4X6	2067-6-4S	3/8-18	7/16-18	20.1 [.72]	6.4 [.25]	28 [1.10]	8.6 [.34]	4.4 [.17]	7/8	9.35 [.368]	9/16
9365X6X6	2067-6-6S	3/8-18	9/16-18	23.4 [.92]	6.4 [.25]	30.5 [1.20]	8.6 [.34]	7.6 [.30]	7/8	10.54 [.415]	11/16
9365X8X6	2067-6-8S	3/8-18	3/4-16	23.4 [.92]	6.4 [.25]	33.8 [1.33]	8.6 [.34]	9.9 [.39]	7/8	11.99 [.472]	7/8
9365X6X8	2067-8-6S	1/2-14	9/16-18	23.1 [.91]	8.4 [.33]	30.5 [1.20]	11.7 [.46]	7.6 [.30]	1	10.54 [.415]	11/16
9365X8X8	2067-8-8S	1/2-14	3/4-16	23.1 [.91]	8.4 [.33]	35.3 [1.39]	11.7 [.46]	9.9 [.39]	1	11.99 [.472]	7/8
9365X10X8	2067-8-10S	1/2-14	7/8-14	23.1 [.91]	8.4 [.33]	39.4 [1.55]	11.7 [.46]	12.2 [.48]	1	13.79 [.543]	1
9365X8X12	2067-12-8S	3/4-14	3/4-16	27.9 [1.10]	7.7 [.30]	36.6 [1.44]	16.3 [.64]	9.9 [.39]	1 1/4	11.99 [.472]	7/8
9365X12X12	2067-12-12S	3/4-14	1 1/16-12	27.9 [1.10]	7.7 [.30]	44.7 [1.76]	16.3 [.64]	15.5 [.61]	1 1/4	16.15 [.636]	1 1/4
9365X16X12	2067-12-16S	3/4-14	1 5/16-12	27.9 [1.10]	7.7 [.30]	48 [1.89]	16.3 [.64]	21.3 [.84]	1 1/4	16.15 [.636]	1 1/2
9365X12X16	2067-16-12S	1-11 1/2	1 1/16-12	32 [1.26]	9.7 [.38]	48 [1.89]	21.1 [.83]	15.5 [.61]	1 1/2	16.15 [.636]	1 1/4
9365X16X16	2067-16-16S	1-11 1/2	1 5/16-12	32 [1.26]	9.7 [.38]	48 [1.89]	21.1 [.83]	21.3 [.84]	1 1/2	16.15 [.636]	1 1/2
9365X20X20	2067-20-20S	1 1/4-11 1/2	1 5/8-12	30.5 [1.20]	10.4 [.41]	48.5 [1.91]	27.6 [1.09]	27.4 [1.08]	1 7/8	16.15 [.636]	1 7/8

REVISIONS			
REV	DESCRIPTION	DATE	APPROVED
C	REDRAWN. UPDATED TO DANFOSS FORMAT AND DIMENSION STYLE. 1) ADDED PART # 2067-4-4S. 2) ADDED WEATHERHEAD PART NUMBERS	2010-10-20 AJC/AGV	0048495-ECO DP-1299
D	1) REMOVED PART # 2067-4-4S.	2014-11-25 SMP/YPK	0102399-ECO
E	1) ADDED PART # 2067-6-4S. 2) ADDED PART # 2067-8-6S. 3) ADDED PART # 2067-20-20S. 4) "B" REF WAS 8.9 [.35]	2015-02-17 VVS/UPK	0107476-ECO
F	CREATED ALTERNATE LANGUAGE DRAWING 1) ADDED ALTERNATIVE LANGUAGE TEXT BLOCK	2019-12-13 AAB	CO-0194000

ALTERNATIVE LANGUAGE DRAWING
ALL SHEETS MUST BE IDENTICAL
AND WITH SAME REVISION LEVEL

②



METRIC

△ WASHER CLINCHED TO FITTING WITH 0.013 [.0005] INCH MAXIMUM CLEARANCE TO AN INTERFERENCE FIT.
1. DIMENSIONS ARE IN MILLIMETERS [INCHES].

②

⑤	9365X20X20	2067-20-20S	206704-20-20S	210295-20S	222013-20S	22617-20	2045-3-20S
	9365X16X16	2067-16-16S	206704-16-16S	210295-16S	222013-16S	22617-16	2045-3-16S
	9365X12X16	2067-16-12S	206704-16-12S	210295-12S	222013-12S	22617-12	2045-3-16S
	9365X16X12	2067-12-16S	206704-12-16S	210295-16S	222013-16S	22617-16	2045-3-12S
	9365X12X12	2067-12-12S	206704-12-12S	210295-12S	222013-12S	22617-12	2045-3-12S
	9365X8X12	2067-12-8S	206704-12-8S	210295-8S	222013-8S	22617-8	2045-3-12S
	9365X10X8	2067-8-10S	206704-8-10S	210295-10S	222013-10S	22617-10	2045-3-8S
	9365X8X8	2067-8-8S	206704-8-8S	210295-8S	222013-8S	22617-8	2045-3-8S
⑤	9365X6X8	2067-8-6S	206704-8-6S	210295-6S	222013-6S	22617-6	2045-3-8S
	9365X8X6	2067-6-8S	206704-6-8S	210295-8S	222013-8S	22617-8	2045-3-6S
	9365X6X6	2067-6-6S	206704-6-6S	210295-6S	222013-6S	22617-6	2045-3-6S
	9365X4X6	2067-6-4S	206704-6-4S	210295-4S	222013-4S	22617-4	2045-3-6S
	WEATHERHEAD PART NUMBER	PART NUMBER	① ADAPTER BODY	② JAM NUT	③ WASHER	④ O'RING	⑤ NUT

LIST OF MATERIALS

ITEM NO.	MATERIAL	DRAWN A. CHAVAN	CHECKED A. VARANKAR	APPROVED J. SNYDER	RELEASE DATE 2010-10-20	0048495-ECO	DP-1299	THIRD ANGLE PROJECTION	SCALE	DIST	U	CAGE CODE	01276	SHEET	1
1	STEEL	FLUID CONVEYANCE DIVISION		DRAWING TITLE		ADAPTER		45° FEMALE ADAPTER UNION TO ADJUSTABLE MALE STRAIGHT THREAD (SAE #140357)		SIZE	DRAWING NUMBER		REV		
2	STEEL	A2		2067-S		F		NONE		01276					
3	STEEL														
4	NITRILE (BUNA-N)														
5	STEEL														

THE REPRODUCTION, DISTRIBUTION AND UTILIZATION OF THIS DOCUMENT AS WELL AS THE COMMUNICATION OF ITS CONTENTS TO OTHERS WITHOUT EXPLICIT AUTHORIZATION IS PROHIBITED. OFFENDERS WILL BE HELD LIABLE FOR THE PAYMENT OF DAMAGES. ALL RIGHT RESERVED IN THE EVENT OF THE GRANT OF A PATENT, UTILITY MODEL OR DESIGN. (PER ISO 16016)