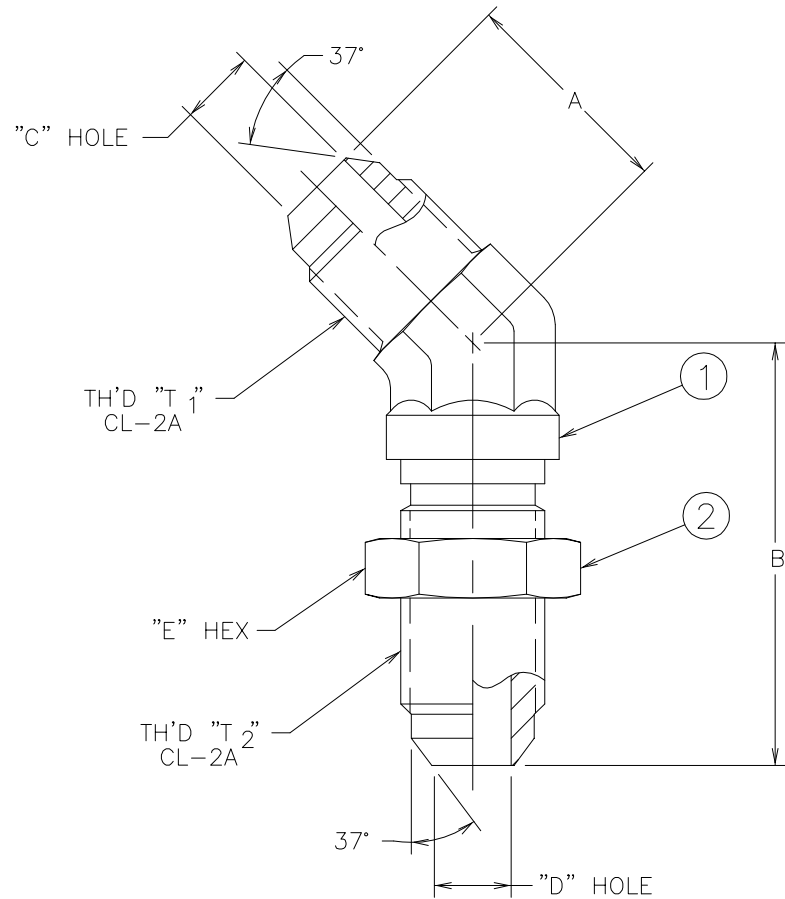


PART NUMBER	TH'D "T" "T 1"	TH'D "T" "T 2"	A REF	B REF	C REF	D REF	E REF
2042-4-4S	7/16-20	7/16-20	.72	1.53	.17	.17	.69
2042-5-5S	1/2-20	1/2-20	.77	1.66	.23	.23	.75
2042-6-6S	9/16-18	9/16-18	.83	1.67	.30	.30	.81
2042-8-8S	3/4-16	3/4-16	.98	1.94	.39	.39	1.00
2042-10-10S	7/8-14	7/8-14	1.11	2.17	.48	.48	1.12

REVISIONS			
REV.	DESCRIPTION	DATE	APPROVED
U	REDRAWN ON CAD - LAST REV. "T" (1)ADDED 2042-5-5S AND -6-6S	8-2-93	EN-F13988 DAI-17511
V	(1)ADDED 2042-4-4S AND -8-8S	12-27-93 R.D.G.	EN-F14475 DAI-17511

U
1 V
1



DWG. NO. 2042-S
 SH. 2
 REV. V

U
1 V
1

2042-10-10S	2042-1-10-10S	210212-10S		
2042-8-8S	2042-1-8-8S	210212-8S		
2042-6-6S	2042-1-6-6S	210212-6S		
2042-5-5S	2042-1-5-5S	210212-5S		
2042-4-4S	2042-1-4-4S	210212-4S		
AEROQUIP PART NUMBER	1 ADAPTER BODY	2 JAM NUT		

LIST OF MATERIALS

ITEM NO.	MATERIAL	DRAWN	DATE	FLUID CONVEYANCE DIVISION	
1	STEEL	K DOTSON	8-2-93	<i>Danfoss</i>	
2	STEEL	R.D.GARRETT	8-2-93		
		APPROVED	DATE	DRAWING TITLE	
		R.D.GARRETT	8-2-93	ADAPTER	
		RELEASED	DATE	SAE 37° FLARE - 45° BULKHEAD ELBOW	
		EN-F13988	8-2-93	(SAE #070801)	
		PROJECT NO.	APC NO.	SIZE	(CAGE) CODE NO.
		DAI-17511		C	01276
		DESIGN APPROVED		DRAWING NUMBER	
				2042-S	
		APPROVED		SHEET	
				2	

THE REPRODUCTION, DISTRIBUTION AND UTILIZATION OF THIS DOCUMENT AS WELL AS THE COMMUNICATION OF ITS CONTENTS TO OTHER WITHOUT EXPLICIT AUTHORIZATION IS PROHIBITED. OFFENDERS WILL BE HELD LIABLE FOR THE PAYMENT OF DAMAGES. ALL RIGHT RESERVED IN THE EVENT OF THE GRANT OF A PATENT, UTILITY MODEL OR DESIGN. (PER ISO 16016)

CONVERTED DRAWING CADAM to AutoCAD 8/98