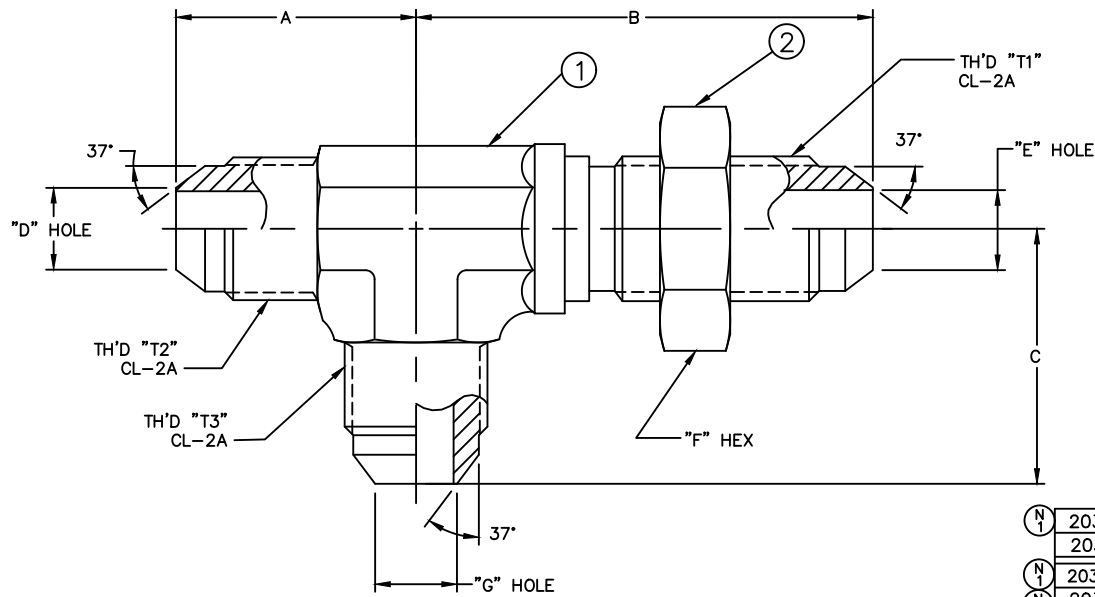


AEROQUIP PART NUMBER	TH'D T1	TH'D T2	TH'D T3	A REF	B REF	C REF	D REF	E REF	F REF	G REF
203008-3-3S	3/8-24	3/8-24	3/8-24	23.9 [.94]	38.1 [1.50]	23.9 [.94]	3 [.12]	3 [.12]	15.7 [.62]	3 [.12]
203008-6-6S	9/16-18	9/16-18	9/16-18	27.7 [1.09]	46 [1.81]	27.7 [1.09]	7.6 [.30]	7.6 [.30]	20.6 [.81]	7.6 [.30]
203008-8-8S	3/4-16	3/4-16	3/4-16	34.5 [1.36]	53.6 [2.11]	34.5 [1.36]	9.9 [.39]	9.9 [.39]	25.4 [1.00]	9.9 [.39]
203008-10-10S	7/8-14	7/8-14	7/8-14	39.6 [1.56]	60.7 [2.39]	39.6 [1.56]	12.2 [.48]	12.2 [.48]	28.7 [1.13]	12.2 [.48]
203008-12-12S	1 1/16-12	1 1/16-12	1 1/16-12	45.2 [1.78]	67.8 [2.67]	45.2 [1.78]	15.5 [.61]	15.5 [.61]	35.1 [1.38]	15.5 [.61]
203008-16-16S	1 5/16-12	1 5/16-12	1 5/16-12	49.3 [1.94]	71.1 [2.80]	49.3 [1.94]	21.3 [.84]	21.3 [.84]	41.4 [1.63]	21.3 [.84]
203008-20-20S	1 5/8-12	1 5/8-12	1 5/8-12	55.1 [2.17]	79.2 [3.12]	55.1 [2.17]	27.4 [1.08]	27.4 [1.08]	47.8 [1.88]	27.4 [1.08]

REVISIONS			
REV	DESCRIPTION	DATE	APPROVED
N	REDRAWN. UPDATED FOR DANFOSS FORMAT & DIMENSION STYLE. 1) ADDED PARTS.	2009-12-17 PSL/ADN	0038044-ECO



203008-20-20S	FF1065-2020S	210212-20S		
203008-16-16S	FF1065-1616S	210212-16S		
203008-12-12S	FF1065-1212S	210212-12S		
203008-10-10S	FF1065-1010S	210212-10S		
203008-8-8S	FF1065-0808S	210212-8S		
203008-6-6S	FF1065-0606S	210212-6S		
203008-3-3S	FF1065-0303S	210212-3S		
AEROQUIP PART NUMBER	① ADAPTER BODY	② LOCKNUT		

METRIC

1. DIMENSIONS ARE IN MILLIMETERS [INCH].

LIST OF MATERIALS		DRAWN P. LAD		FLUID CONVEYANCE DIVISION	
ITEM NO.	MATERIAL	CHECKED	A. NAGARKATTI	DRAWING TITLE	
1	STEEL	APPROVED	D. KHOTAVALE	ADAPTER	
2	STEEL	RELEASE DATE	2009-12-28	SAE 37° FLARE - BULKHEAD RUN TEE	
		0038044-ECO		(SAE #070958)	
THIRD ANGLE PROJECTION		SIZE	DRAWING NUMBER	REV	
		A2	203008-S	N	
SCALE		DIST	CAGE CODE	SHEET	
NONE		U	01276	2	
<small>THE REPRODUCTION, DISTRIBUTION AND UTILIZATION OF THIS DOCUMENT AS WELL AS THE COMMUNICATION OF ITS CONTENTS TO OTHERS WITHOUT EXPLICIT AUTHORIZATION IS PROHIBITED. OFFENDERS WILL BE HELD LIABLE FOR THE PAYMENT OF DAMAGES. ALL RIGHT RESERVED IN THE EVENT OF THE GRANT OF A PATENT, UTILITY MODEL OR DESIGN. (PER ISO 16016)</small>					

203008-S