

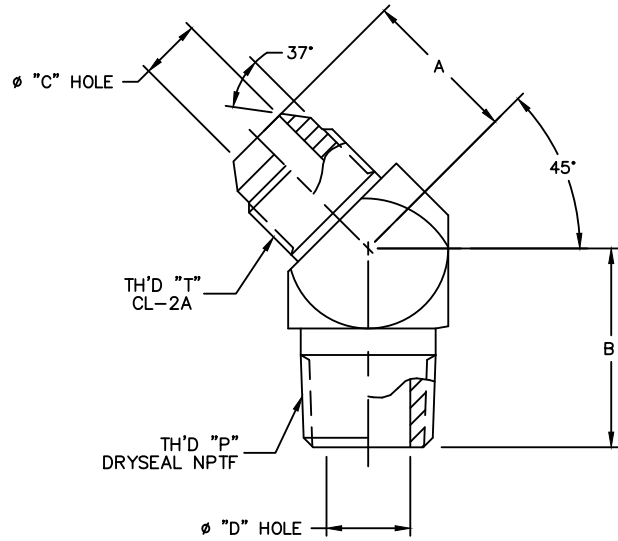
| DANFOSS PART NUMBER | WEATHERHEAD PART NUMBER | TH'D "P" | TH'D "T" | A REF | B REF | C REF | D REF |
|---------------------|-------------------------|--------------|----------|----------------|----------------|----------------|---------------|
| 2023-2-2S | C5355X2 | 1/8-27 | 5/16-24 | 17.5 [.69] | 13.2 [.52] | 1.6 [.062] | 4.8 [.19] |
| 2023-2-3S | C5355X3 | 1/8-27 | 3/8-24 | 17.5 [.69] | 13.2 [.52] | 3 [.12] | 4.8 [.19] |
| 2023-2-4S | C5355X4 | 1/8-27 | 7/16-20 | 18.3 [.72] | 16.3 [.64] | 4.4 [.17] | 4.8 [.19] |
| 2023-8-6S | C5355X6X8 | 1/2-14 | 9/16-18 | 22.4 [.88] | 29.7 [1.17] | 7.5 [.30] | 13.5 [.53] |
| 2023-24-24S | C5355X24 | 1 1/2-11 1/2 | 1 7/8-12 | 45.2 [1.78] | 45 [1.77] | 33.3 [1.31] | 38.1 [1.5] |

(BH 2) (BJ 1)
 (BH 1)
 (BG 1)
 (BH 1) (BJ 2) (BK 1)
 (BH 1)
 (BH 1)
 (BH 1) (BK 1)

(BF 2)

(BF 1)

(BG 2) (BG 1)



| REVISIONS | | | |
|-----------|---|-----------------------|----------------------------|
| REV | DESCRIPTION | DATE | APPROVED |
| BE | REDRAWN - LAST REV. "BD" (1) ADDED NOTE #2 (2) MOVED 2023-20-20S TO SHEET #2 | 2000-10-05 JL | EN-F19139 DP-1246 |
| BF | (1) WEATHERHEAD PART NUMBER COLUMN ADDED. | 2004-09-20 BAL/BAT | EN-F26900 DP-1513 |
| BG | (1) CORRECTED 2023-2-4S TO MATCH MACHINE PRINT. (2) UPDATED TO SAMWON DIMENSIONS: "4.4 [.17]" WAS: "4.3 [.17]", "7.5 [.30]" WAS: "7.6 [.30]", "38.1 [.15]" WAS: "38.4 [.15]", AND "49[1.93]" WAS: "49.3[1.94]" | 2004-12-21 JL | EN-F27304 DP-1513 |
| BH | (1) ADDED WEATHERHEAD PART NUMBER. (2) ADDED PART NUMBER "2023-2-2S" | 2009-11-19 SPB/ADN | 0037211- ECO |
| BJ | (1) DIMENSION "A" WAS 16.8 [.66]. (2) DIMENSION "C" WAS 5.8 [.23]. | 2013-03-04 NMS/DHS | 0078806- ECO DP-1299 |
| BK | (1) REMOVED PARTS 2023-2-5S AND 2023-32-32S. | 2015-12-02 RZH/VSP | 0117031- ECO |

ME-TRIC

| | | |
|--|--|--|
| DRAWN K. CHEESEMAN CHECKED J. LUGINBILL APPROVED J. LUGINBILL RELEASE DATE 2000-10-27 EN-F19139 DP-1246 THIRD ANGLE PROJECTION | FLUID CONVEYANCE DIVISION DRAWING TITLE ADAPTER SAE 37° FLARE- 45° MALE PIPE ELBOW SIZE A2 SCALE DIST U CAGE CODE 01276 SHEET 1 OF 2 | DRAWING NUMBER 2023-S REV BK |
|--|--|--|

THE REPRODUCTION, DISTRIBUTION AND UTILIZATION OF THIS DOCUMENT AS WELL AS THE COMMUNICATION OF ITS CONTENTS TO OTHERS WITHOUT EXPLICIT AUTHORIZATION IS PROHIBITED. OFFENDERS WILL BE HELD LIABLE FOR THE PAYMENT OF DAMAGES. ALL RIGHT RESERVED IN THE EVENT OF THE GRANT OF A PATENT, UTILITY MODEL OR DESIGN. (PER ISO 16016)

1. DIMENSIONS ARE IN MILLIMETERS [INCHES]. (BF 1)