

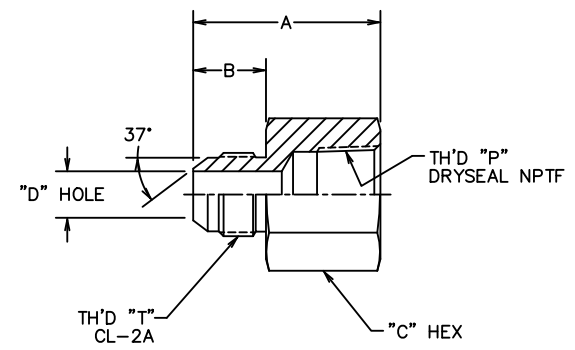
PART NUMBER	WEATHERHEAD CATALOG NUMBER	TH'D "P"	TH'D "T"	A REF	B REF	C REF	D REF
2022-2-2S	C5255X2	1/8-27	5/16-24	1.12	.45	.56	.06
2022-2-3S	C5255X3	1/8-27	3/8-24	1.13	.48	.56	.12
2022-2-4S	C5255X4	1/8-27	7/16-20	1.19	.55	.56	.17
2022-2-5S	C5255X5	1/8-27	1/2-20	1.17	.55	.56	.23
2022-4-3S	C5255X3X4	1/4-18	3/8-24	1.32	.48	.75	.12
2022-4-4S	C5255X4X4	1/4-18	7/16-20	1.39	.55	.75	.17
2022-4-5S	C5255X5X4	1/4-18	1/2-20	1.39	.55	.75	.23
2022-4-6S	C5255X6	1/4-18	9/16-18	1.40	.56	.75	.30
2022-4-8S	C5255X8X4	1/4-18	3/4-16	1.55	.66	.81	.39
2022-6-6S	C5255X6X6	3/8-18	9/16-18	1.46	.56	.88	.30
2022-6-8S	C5255X8	3/8-18	3/4-16	1.56	.66	.88	.39
2022-6-10S	C5255X10X6	3/8-18	7/8-14	1.69	.76	.94	.48
2022-8-4S	C5255X4X8	1/2-14	7/16-20	1.68	.55	1.12	.17
2022-8-6S	C5255X6X8	1/2-14	9/16-18	1.69	.56	1.12	.30
2022-8-8S	C5255X8X8	1/2-14	3/4-16	1.79	.66	1.12	.39
2022-8-10S	C5255X10	1/2-14	7/8-14	1.89	.76	1.12	.48
2022-8-12S	C5255X12X8	1/2-14	1 1/16-12	2.05	.86	1.12	.61
2022-12-8S	C5255X8X12	3/4-14	3/4-16	1.85	.66	1.38	.39
2022-12-10S	C5255X10X12	3/4-14	7/8-14	1.95	.76	1.38	.48
2022-12-12S	C5255X12	3/4-14	1 1/16-12	2.06	.86	1.38	.61
2022-12-14S	C5255X14	3/4-14	1 3/16-12	2.06	.89	1.38	.72
2022-12-16S	C5255X16X12	3/4-14	1 5/16-12	2.12	.91	1.38	.84
2022-16-12S	C5255X12X16	1-11 1/2	1 1/16-12	2.30	.86	1.62	.61
2022-16-16S	C5255X16	1-11 1/2	1 5/16-12	2.35	.91	1.62	.84
2022-20-16S	C5255X16X20	1 1/4-11 1/2	1 5/16-12	2.44	.91	2.00	.84
2022-20-20S	C5255X20	1 1/4-11 1/2	1 5/8-12	2.49	.96	2.00	1.08
2022-24-24S	C5255X24	1 1/2-11 1/2	1 7/8-12	2.62	1.08	2.38	1.31
2022-32-32S	C5255X32	2-11 1/2	2 1/2-12	2.97	1.33	2.88	1.78

AP 1 AR 1

AP 1 AR 1

AN 1

AP 1 AR 1



INCH

REVISIONS			
REV	DESCRIPTION	DATE	APPROVED
AM	(1)REDRAWN, ADDED WEATHERHEAD CATALOG NUMBER.	2003-11-05 ATH	EN-F25164 DP-1513
AN	(1)ADDED PART NUMBER "2022-6-10S".	2010-02-12 AGV/SRH	0040184- ECO RPS 22147
AP	(1)ADDED PART NUMBERS "2022-2-6S", "2022-6-4S" & "2022-16-20S".	2011-05-23 VMS/AGV	0053599- ECO
AR	(1)REMOVED PART NUMBERS "2022-2-6S", "2022-6-4S" & "2022-16-20S".	2012-03-23 SUM	0068188- ECO DP-1299

1. MATERIAL: STEEL.

DRAWN A. HISS	FLUID CONVEYANCE DIVISION		
CHECKED B. THOMAS	DRAWING TITLE		
APPROVED B. THOMAS	ADAPTER		
RELEASE DATE 2003-11-05	SAE 37° FLARE - FEMALE CONNECTOR (SAE #070103)		
EN-F25164	SIZE A2	DRAWING NUMBER 2022-S	REV AR
DP-1513	SCALE NONE	DIST U	CAGE CODE 01276
THIRD ANGLE PROJECTION	SHEET 1		
<small>THE REPRODUCTION, DISTRIBUTION AND UTILIZATION OF THIS DOCUMENT AS WELL AS THE COMMUNICATION OF ITS CONTENTS TO OTHERS WITHOUT EXPLICIT AUTHORIZATION IS PROHIBITED. OFFENDERS WILL BE HELD LIABLE FOR THE PAYMENT OF DAMAGES. ALL RIGHT RESERVED IN THE EVENT OF THE GRANT OF A PATENT, UTILITY MODEL OR DESIGN. (PER ISO 16016)</small>			

REV. AR 1

2022-S

DWG. NO.