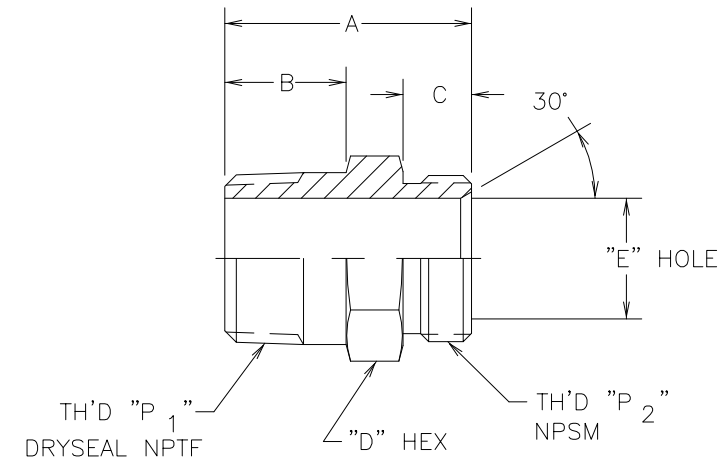


PART NUMBER	TH'D "P 1"	TH'D "P 2"	A REF	B REF	C REF	D REF	E REF
2015-8-8S	1/2-14	1/2-14	1.50	.76	.44	.88	.50
2015-12-12S	3/4-14	3/4-14	1.62	.76	.50	1.06	.71
2015-16-16S	1-11 1/2	1-11 1/2	1.91	.96	.53	1.38	.93
2015-24-24S	1 1/2-11 1/2	1 1/2-11 1/2	2.14	1.02	.64	2.00	1.50

REVISIONS			
REV.	DESCRIPTION	DATE	APPROVED
E	REDRAWN - LAST REV. "D" (1) UPDATED DIMENSIONS TO AGREE WITH DETAIL DRAWINGS	9-1-93	EN-F14205 DAI-17511
F	(1) 2015-24-24S WAS 2015-20-20S	9-28-93 R.D.G.	EN-F14313 ER-F14313

F1



CONVERTED DRAWING CADAM to AutoCAD 8/98

1. MATERIAL: STEEL.

THE REPRODUCTION, DISTRIBUTION AND UTILIZATION OF THIS DOCUMENT AS WELL AS THE COMMUNICATION OF ITS CONTENTS TO OTHER WITHOUT EXPLICIT AUTHORIZATION IS PROHIBITED. OFFENDERS WILL BE HELD LIABLE FOR THE PAYMENT OF DAMAGES. ALL RIGHT RESERVED IN THE EVENT OF THE GRANT OF A PATENT, UTILITY MODEL OR DESIGN. (PER ISO 16016)

DRAWN R.D.GARRETT	DATE 9-1-93	Danfoss FLUID CONVEYANCE DIVISION
CHECKED R.D.GARRETT	DATE 9-1-93	
APPROVED R.D.GARRETT	DATE 9-1-93	DRAWING TITLE ADAPTER
RELEASED EN-F14205	DATE 9-1-93	MALE TAPER PIPE TO MALE STRAIGHT PIPE
PROJECT NO. DAI-17511	APC NO.	SIZE (CAGE) CODE NO. DRAWING NUMBER C 01276 2015-S
DESIGN APPROVED		SHEET

DWG. NO. 2015-S SH. REV. F