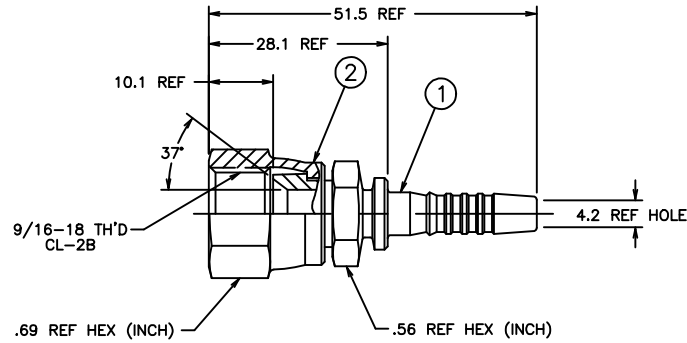


THE REPRODUCTION, DISTRIBUTION AND UTILIZATION OF THIS DOCUMENT AS WELL AS THE COMMUNICATION OF ITS CONTENTS TO OTHERS WITHOUT EXPRESS AUTHORIZATION IS PROHIBITED. OFFENDERS WILL BE HELD LIABLE FOR THE PAYMENT OF DAMAGES. ALL RIGHTS RESERVED IN THE EVENT OF THE GRANT OF A PATENT, UTILITY MODEL OR DESIGN. (PER ISO 18016)

REVISIONS			
REV	DESCRIPTION	DATE	APPROVED
D	REDRAWN - SUPERSEDES 1SA_FJ_SHEET 1/2 REV. C FOR 1SA6FJ4 (1) NOTE #1 WAS: CRIMP NUT PER ACES 2409P2	2-20-95	EN-F15512 DP-24900



51.5	2.03
28.1	1.11
10.1	.40
4.2	.17
MM	INCH

CONVERSION

METRIC

CONVERTED DRAWING CADAM to AutoCAD 18/98

DWG. NO. 1SA6FJ4

1. CRIMP NUT PER ACES 2813. (D)

1SA6FJ4	1F4000A0604-S	210204-6S			
AEROQUIP PART NUMBER	(1) NIPPLE	(2) NUT			
LIST OF MATERIALS					
ITEM NO.	MATERIAL	DRAWN R. WILLIAMS	FLUID CONVEYANCE DIVISION		
1	STEEL	CHECKED R.D. GARRETT			
2	STEEL	APPROVED R.D. GARRETT	DRAWING TITLE NIPPLE ASSEMBLY SAE 37° SWIVEL, 2781 HOSE		
		RELEASE DATE 2-20-95			
		EN-F15512 DP-24900	SIZE C	DRAWING NUMBER 1SA6FJ4	REV D
		HIGH ASSE PRECISION	SCALE 2/1	DIST U	CAGE CODE 01276
					SHEET NO