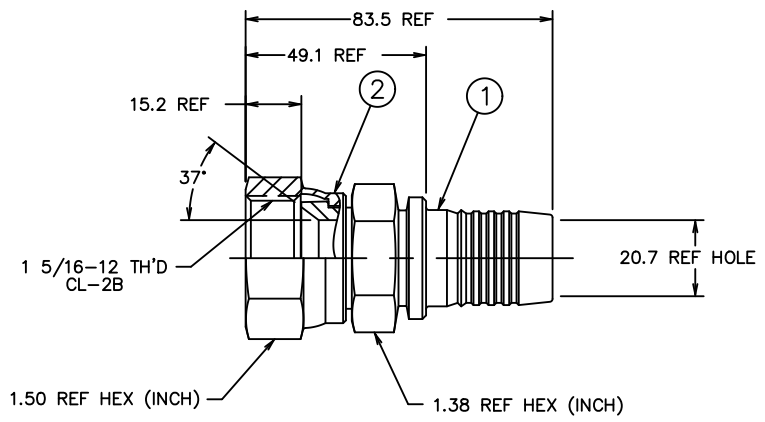




REVISIONS			
REV	DESCRIPTION	DATE	APPROVED
D	REDRAWN - SUPERSEDES 1SA_FJ_ SHEET 2 REV."C" FOR 1SA16FJ16 (1)NOTE #1 WAS: "CRIMP NUT PER ACES 2409P2"	2-20-95	EN-F15512 DP-24900



83.5	3.29
49.1	1.93
20.7	.81
15.2	.60
MM	INCH

CONVERSION

METRIC

CONVERTED DRAWING CADAM to AutoCAD 8/98

1. CRIMP NUT PER ACES 2813. 1

1SA16FJ16	1F40000A1616-S	210204-16S		
AEROQUIP PART NUMBER	1 NIPPLE	2 NUT		
LIST OF MATERIALS				
ITEM NO.	MATERIAL	DRAWN	DRAWING TITLE	
1	STEEL	R.WILLIAMS	FLUID CONVEYANCE DIVISION NIPPLE ASSEMBLY SAE 37° SWIVEL, 2781 HOSE	
2	STEEL	R.D.GARRETT		
		CHECKED	DRAWING NUMBER	
		R.D.GARRETT	1SA16FJ16	
		APPROVED	EN-F15512	REV
		R.D.GARRETT	DP-24900	D
		RELEASE DATE	SIZE	
		2-20-95	C	
		THIRD ANGLE PROJECTION	SCALE	
			1/1	
			DIST	
			U	
			CAGE CODE	
			01276	
			SHEET NO	

19

REV. D

1SA16FJ16

DWG. NO.

