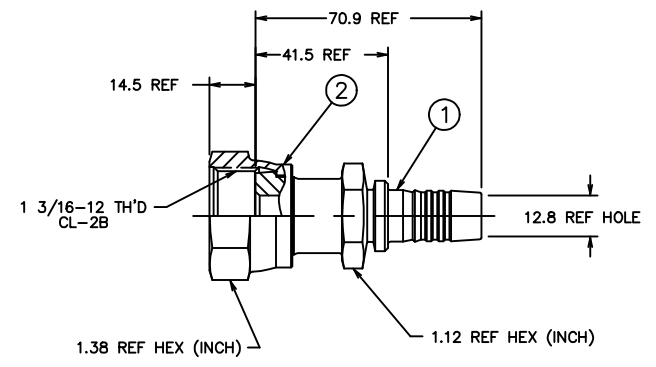


THE REPRODUCTION, DISTRIBUTION AND UTILIZATION OF THIS DOCUMENT AS WELL AS THE COMMUNICATION OF ITS CONTENTS TO OTHERS WITHOUT EXPRESS AUTHORIZATION IS PROHIBITED. OFFENDERS WILL BE HELD LIABLE FOR THE PAYMENT OF DAMAGES. ALL RIGHTS RESERVED IN THE EVENT OF THE GRANT OF A PATENT, UTILITY MODEL OR DESIGN. (PER ISO 16016)

REVISIONS			
REV	DESCRIPTION	DATE	APPROVED
D	REDRAWN - SUPERSEDES 1SA_FR_SHEET 1/2 REV."C" FOR 1SA12FR10	10-25-95	EN-F16048 DP-24900



70.9	2.79
41.5	1.63
14.5	.57
12.8	.50
MM	INCH

CONVERSION

METRIC

CONVERTED DRAWING CADAM to AutoCAD 18/98

1. CRIMP NUT PER ACES 2409P1.

1SA12FR10	1F40010A1210-S	FC1473-12S		
AEROQUIP PART NUMBER	① NIPPLE	② NUT		
LIST OF MATERIALS				
ITEM NO.	MATERIAL	DRAWN R.D.GARRETT	FLUID CONVEYANCE DIVISION	
1	STEEL	CHECKED M.MOLINA		
2	STEEL	APPROVED R.D.GARRETT	DRAWING TITLE <b>NIPPLE ASSEMBLY</b> ORS FEMALE SWIVEL, 2781 HOSE	
		RELEASE DATE 10-26-95		
		EN-F16048 DP-24900	SIZE C	DRAWING NUMBER 1SA12FR10
			SCALE 1/1	DIST U
			PACKAGE CODE 01276	SHEET NO

DWG. NO. 1SA12FR10 SH. REV. D