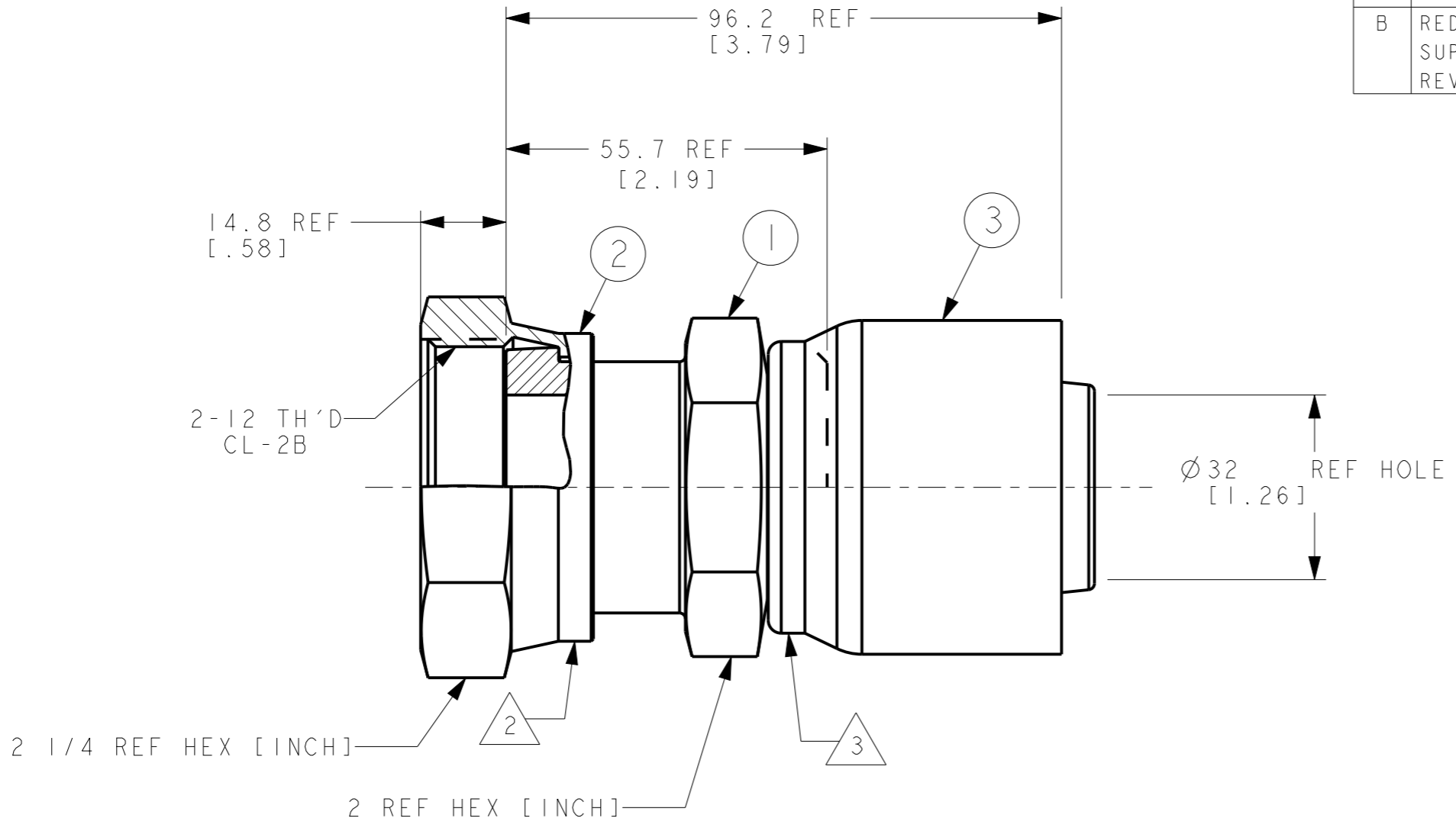


REVISIONS			
REV	DESCRIPTION	DATE	APPROVED
B	REDRAWN & REDESIGNED. SUPERSEDES 1GA24FR24_SHT1 REV. "A" (WAS BRAZE DESIGN)	2012-01-03 VSP	0076729-ECO



METRIC

1GA24FR24	IF40010A2424-S	FC1473-24S	1G24		
PART NUMBER	① NIPPLE	② NUT	③ SOCKET		

LIST OF MATERIALS

ITEM NO.	MATERIAL
1	STEEL
2	STEEL
3	STEEL

FLUID CONVEYANCE DIVISION
 MAUMEE, OHIO U.S.A.

Danfoss

0076729-ECO CAGE CODE 01276

THIRD ANGLE PROJECTION

SIZE	A3
SCALE	1/1
SHEET	1

DRAWN V. PATIL
 CHECKED V. PATIL
 APPROVED R. RUTSCHILLING
 RELEASE DATE 2012-01-03
 DRAWING INTERPRETATION PER ES 10
 DRAWING TITLE
FITTING ASSEMBLY
 ORS FEMALE SWIVEL
 OTC

DRAWING NUMBER 1GA24FR24 REV B

THE REPRODUCTION, DISTRIBUTION, AND UTILIZATION OF THIS DOCUMENT AS WELL AS THE COMMUNICATION OF ITS CONTENTS TO OTHERS WITHOUT EXPLICIT AUTHORIZATION IS PROHIBITED. OFFENDERS WILL BE HELD LIABLE FOR THE PAYMENT OF DAMAGES. ALL RIGHTS RESERVED IN THE EVENT OF THE GRANT OF A PATENT, UTILITY MODEL OR DESIGN. (PER ISO 16016)

③. CRIMP SOCKET PER ACES 2813.
 ②. CRIMP NUT PER ES 2409PI.
 1. DIMENSIONS ARE IN MILLIMETERS [INCHES].