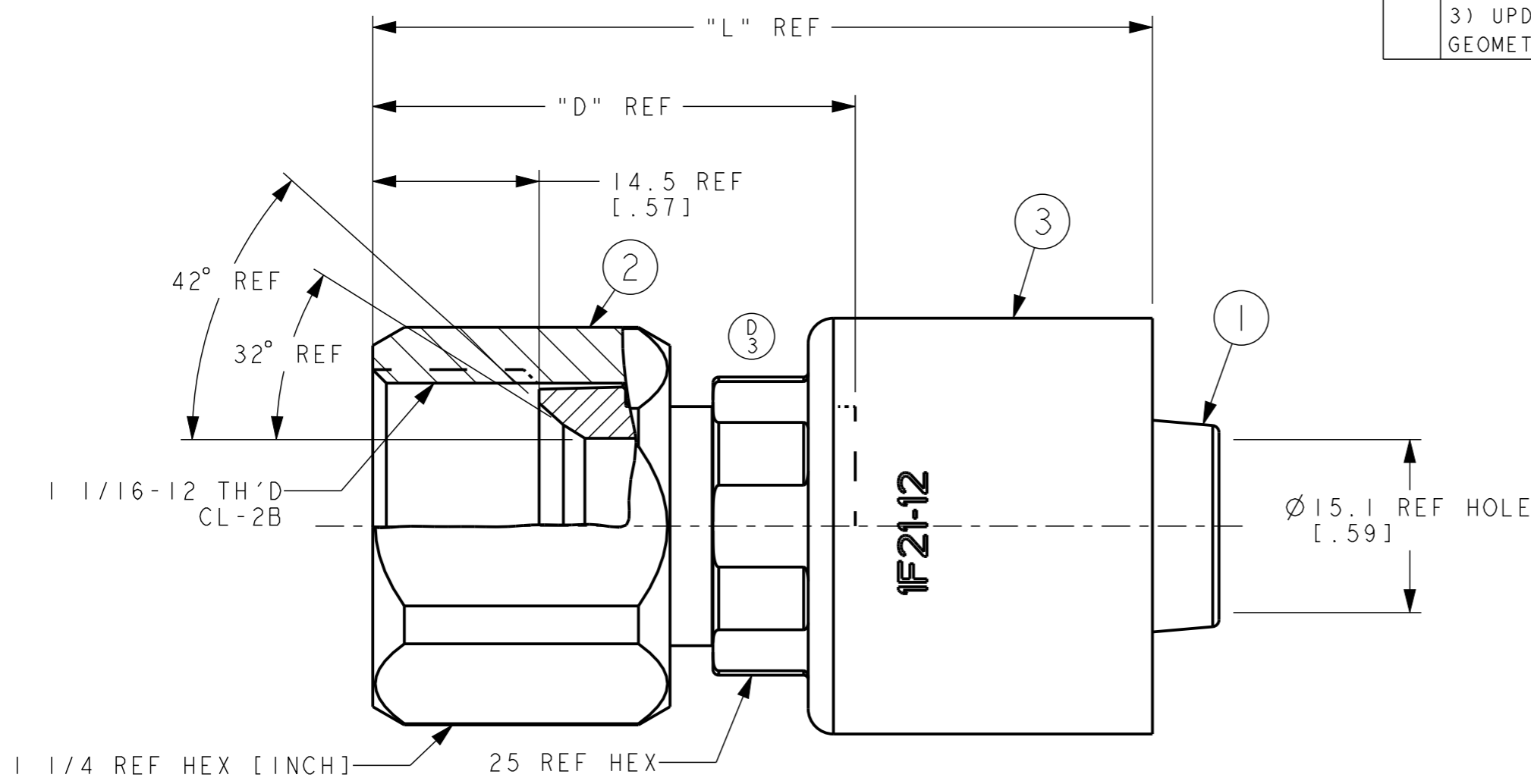


PART NUMBER	SOCKET	SURFACE AREA	MASS	"D" REF	"L" REF
IGA12FJ12	IF21-12-S	21551 mm ²	197 g	42.1 [1.66]	68 [2.68]
IGA12FJ12	IG12	20845 mm ²	186 g	41.9 [1.65]	65.5 [2.58]

REVISIONS			
REV	DESCRIPTION	DATE	APPROVED
D	REDRAWN AND REDESIGNED. 1) ADDED HVF DESIGN 2) ADDED NOTE #2. 3) UPDATED DRAWING VIEW GEOMETRY TO SHOW HVF DESIGN.	2023-02-17 VSP	CO-0227977


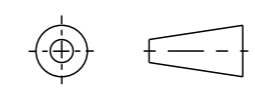


METRIC

△4	△3	32712E-612	IGA12FJ12	IF40000A1212-S	210204-12S	IG12
⊕1	△2	32712E-612	IGA12FJ12	IF40610-1212-S	1290-12S	IF21-12-S
		WEATHERHEAD PART NUMBER	AEROQUIP PART NUMBER	① NIPPLE	② NUT	③ SOCKET

LIST OF MATERIALS

ITEM NO.	MATERIAL
1	STEEL
2	STEEL
3	STEEL

FLUID CONVEYANCE DIVISION MAUMEE, OHIO U.S.A.		DRAWN	V. PATIL
		CHECKED	V. PATIL
		APPROVED	N. BEINING
CO-0227977		RELEASE DATE	2023-02-17
CAGE CODE 01276		DRAWING INTERPRETATION PER ES 10	
THIRD ANGLE PROJECTION		DRAWING TITLE	
		FITTING ASSEMBLY	
SIZE A3		HIGH PRESSURE SAE 37° FEMALE SWIVEL, OTC	
SCALE 2/1		DRAWING NUMBER	REV
SHEET 1		IGA12FJ12	D
<small>THE REPRODUCTION, DISTRIBUTION, AND UTILIZATION OF THIS DOCUMENT AS WELL AS THE COMMUNICATION OF ITS CONTENTS TO OTHERS WITHOUT EXPLICIT AUTHORIZATION IS PROHIBITED. OFFENDERS WILL BE HELD LIABLE FOR THE PAYMENT OF DAMAGES. ALL RIGHTS RESERVED IN THE EVENT OF THE GRANT OF A PATENT, UTILITY MODEL OR DESIGN. (PER ISO 16016)</small>			

- △4 ISAI2FJ12 NIPPLE ASSEMBLY MAY BE SUBSTITUTED FOR ITEMS #1 AND #2.
 - △3 PROCESS AS FOLLOWS:
a) CRIMP NUT PER ACES 2813.
b) ASSEMBLE SOCKET PER ACES 2813.
 - △2 PROCESS AS FOLLOWS:
a) ASSEMBLE NUT.
b) CRIMP SOCKET PER ACES 2813. ⊕2
1. DIMENSIONS ARE IN MILLIMETERS [INCHES].