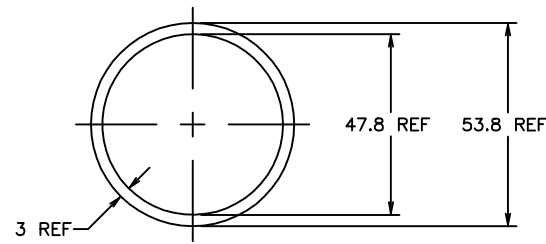
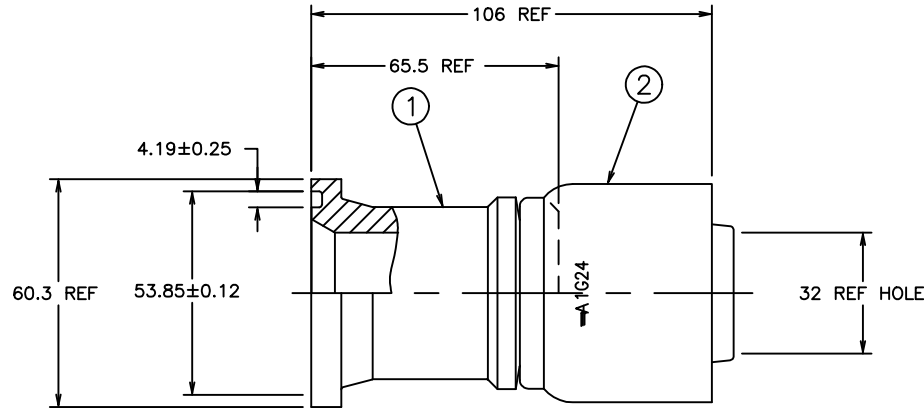


THE REPRODUCTION, DISTRIBUTION AND UTILIZATION OF THIS DOCUMENT AS WELL AS THE COMMUNICATION OF ITS CONTENTS TO OTHERS WITHOUT EXPLICIT AUTHORIZATION IS PROHIBITED. OFFENDERS WILL BE HELD LIABLE FOR THE PAYMENT OF DAMAGES. ALL RIGHT RESERVED IN THE EVENT OF THE GRANT OF A PATENT, UTILITY MODEL OR DESIGN. (PER ISO 18018)

REVISIONS

REV	DESCRIPTION	DATE	APPROVED
B	REDRAWN - SUPERSEDES 1G_FL SHEET 2 REV. A* FOR 1G24FL24	12-13-95	EN-F16139 DP-24900




△ O'RING DETAIL

106	4.17
65.5	2.58
60.3	2.37
53.85±0.12	2.120±.005
53.8	2.12
47.8	1.88
32	1.26
4.19±0.25	.165±.010
3	.12
MM	INCH

CONVERSION

METRIC

1G24FL24	1S24FL24	1G24			
AEROQUIP PART NUMBER	① NIPPLE	② SOCKET			
LIST OF MATERIALS					
ITEM NO.	MATERIAL	DRAWN R.D.GARRETT CHECKED M.MOLINA APPROVED R.D.GARRETT RELEASE DATE 12-18-95 EN-F16139 DP-24900 THIRD ANGLE PROJECTION			
1	STEEL	 FLUID CONVEYANCE DIVISION DRAWING TITLE <b>FITTING ASSEMBLY</b> SPLIT FLANGE TYPE (CODE 61), OTC			
2	STEEL				
		SIZE C	DRAWING NUMBER 1G24FL24	REV B	
		SCALE 1/1	DIST U	CAGE CODE 01276	SHEET NO

△ O'RING SHOWN FOR REFERENCE ONLY. SUPPLIED BUT NOT FURNISHED WITH ASSEMBLY.

1. ASSEMBLE SOCKET PER ACES 2813.

DWG. NO. 1G24FL24 SH. REV. B

CONVERTED DRAWING CADAM to AutoCAD 18/98