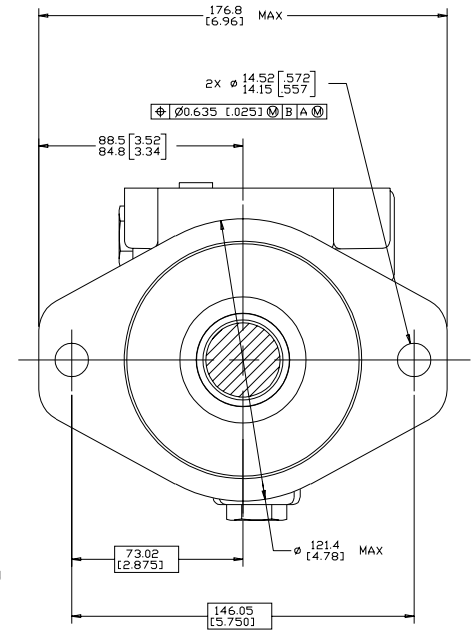
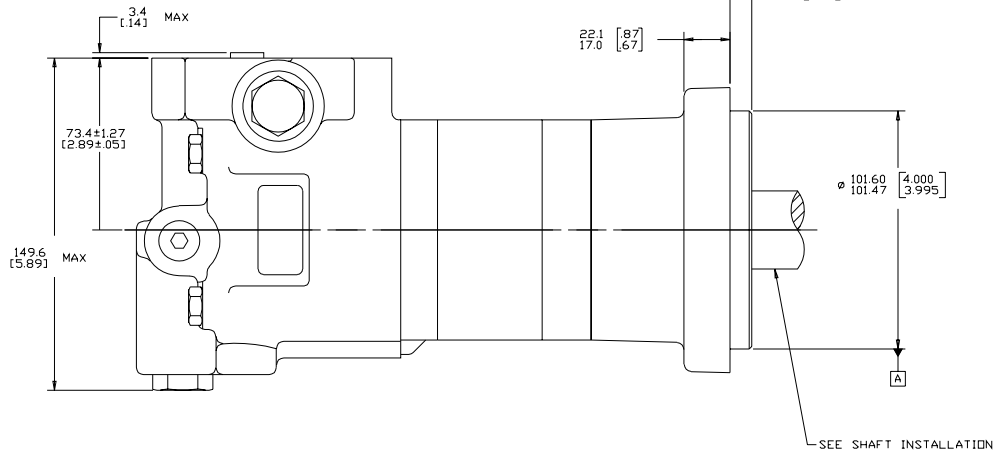
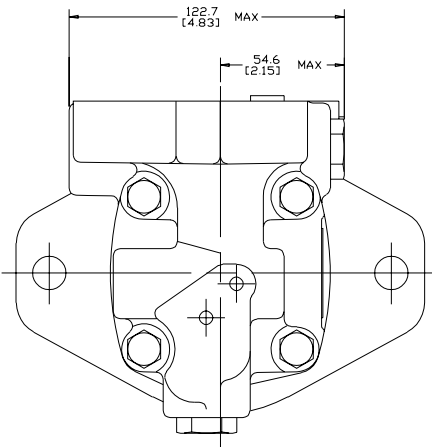
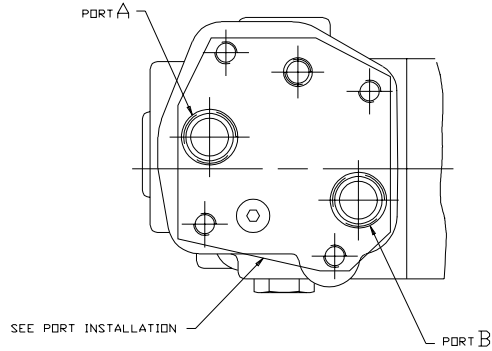


SYM	REVISION	BY	DATE	ECN
A	ENGINEERING RELEASE	RAF	11/23/93	24603
B	-1-REVISED DIMENSIONS FOR STACK UP -2-UPDATED DRAWING AS PER ASME Y14.5M-1994 STANDARD	YUP	11/15/92	MB7494



NOTE

1 ROTATION:
 STANDARD: WHEN FACING SHAFT END OF MOTOR, SHAFT TO ROTATE;
 CLOCKWISE WHEN PORT "A" IS PRESSURIZED
 COUNTERCLOCKWISE WHEN PORT "B" IS PRESSURIZED
 REVERSE: WHEN FACING SHAFT END OF MOTOR, SHAFT TO ROTATE;
 CLOCKWISE WHEN PORT "B" IS PRESSURIZED
 COUNTERCLOCKWISE WHEN PORT "A" IS PRESSURIZED

2 MOUNTING TYPE: AF
 STANDARD, 2 BOLT: ϕ 101.6 [4.00] PILOT
 ϕ 14.35 [565] HOLES ON ϕ 146.0 [5.75]
 BOLT CIRCLE "SAE B"

REVIEWED FOR CLASSIFICATION PER ESP-042

UNLESS OTHERWISE SPECIFIED, DIMENSIONS ARE IN INCHES <input type="checkbox"/> METRIC <input checked="" type="checkbox"/> DECIMALS		DRAWING BASED ON ASME Y14.5M-1994	
TOLERANCES X + .0005 XXX + .001		DATE: 8/10/93	MATERIAL/HEAT TREAT
UNSPECIFIED HATCH ARE	TEMPERATURE	TITLE: 2000 SERIES - TWO SPEED MOTOR INSTALLATION	
UNSPECIFIED DRAFT ANGLE ARE	FINISH	NUMBER: A-667-005	NUMBER: 1
DRAWING FORMAT: CAD (BY NUMBER)	THIRD ANGLE PROJECTION	SCALE: 1/1	SHEET 1 OF 1

