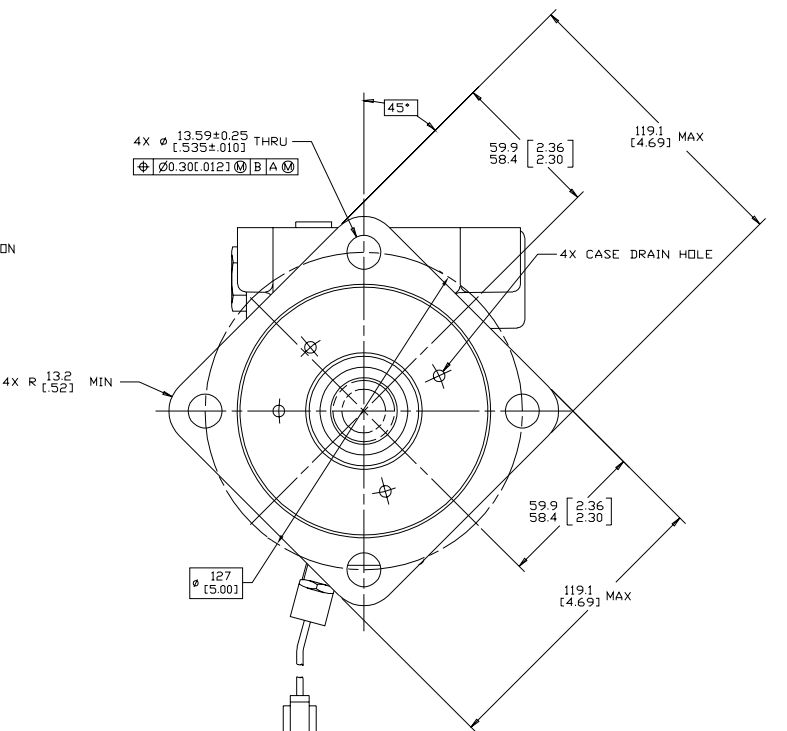
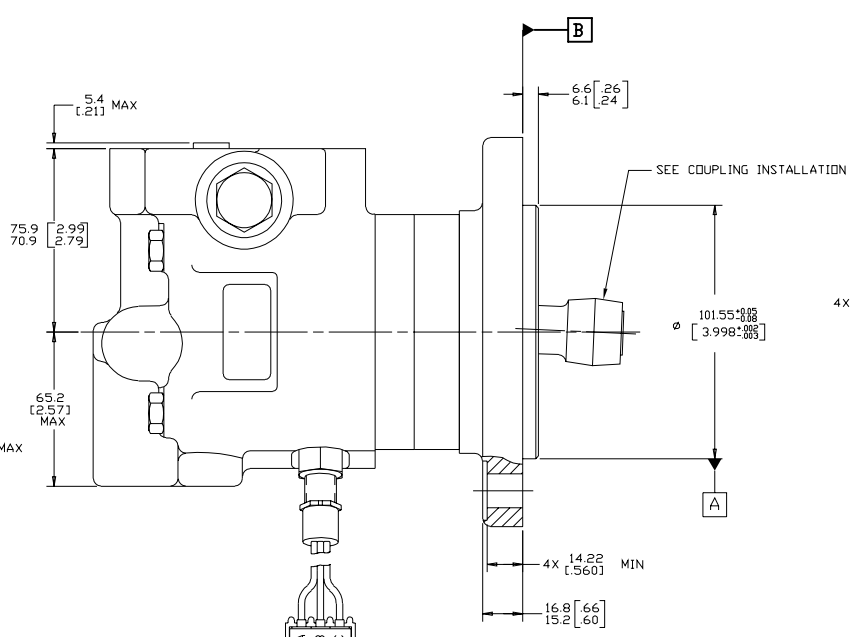
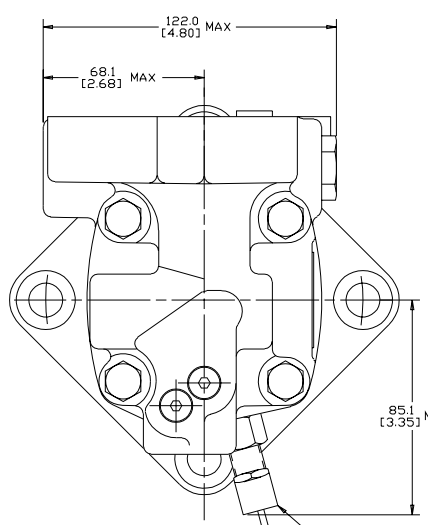
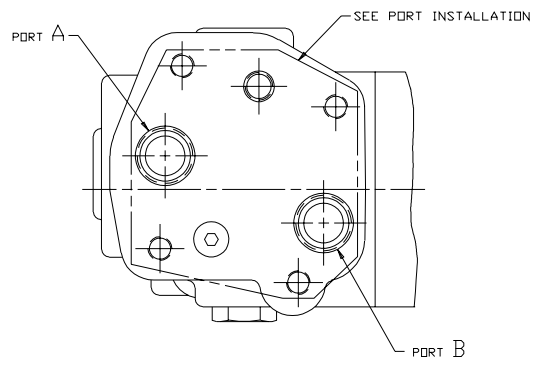


| REV | DESCRIPTION   | BY  | CHK | DATE     | ECN     |
|-----|---|-----|-----|----------|---------|
| A   | ENGINEERING RELEASE   | JJV | AGJ | 2-10-99  | M21197  |
| B   | REVISED PICTORIALY  | AGJ |     | 11-14-03 | 45640   |
| C   | -1X(6C) WAS 3.1(1.2) MAX -2X(6B) WAS 6.3(2.48) MAX<br>-3X(4B) WAS $\phi$ 10.54 [4.93] -4X(3B) REMOVED DIM $4X$ 44.91 [1.769]<br>-5X(3B) REMOVED $4X$ 19.54 [0.77] -6X(3B) ADDED DIM $\phi$ 18.00<br>-7X(4A) MOUNTING TYPE WAS D AND E<br>-B) UPDATED DRAWING TO ASME Y14.5M 1994 STANDARD | AAB | SSD | 03-27-12 | M85208  |
| D   | (7B) 85.1(3.35) WAS 86.9(3.42)  | AAB |     | 10-27-15 | 0066882 |



CONNECTOR PINS DESIGNED TO MATE WITH WEATHER PACK CONNECTOR P/N 12015792  
TERMINAL P/N 12089040  
CONTACT RATINGS: 5 AMPS MAX AT 12 VOLTS  
(A=POWER, B=SIGNAL, C=COMMON)

- NOTE
- ROTATION:  
STANDARD: WHEN FACING SHAFT END OF MOTOR, SHAFT TO ROTATE; COUNTERCLOCKWISE WHEN PORT "A" IS PRESSURIZED  
REVERSE: WHEN FACING SHAFT END OF MOTOR, SHAFT TO ROTATE; COUNTERCLOCKWISE WHEN PORT "B" IS PRESSURIZED
  - MOUNTING TYPE:  
AE: BEARINGLESS, 4 BOLT;  $\phi$  101.6 [4.00] PILOT  
 $\phi$  13.59 [0.535] HOLES ON  $\phi$  127.0 [5.00] BOLT CIRCLE
  - NOMINAL SENSOR OUTPUT WILL BE 30 ELECTRICAL PULSES PER SHAFT REVOLUTION  
SUPPLY VOLTAGE: 8 TO 28 Vdc  
OUTPUT VOLTAGE: LOW .5 Vdc AT 10 mA; HIGH Vs-1 Vdc

**REVIEWED FOR CLASSIFICATION PER ESP-042**

|   |  |   |
|---|--|---|
| DRAWING BASED ON ASME Y14.5M-1994   |  |   |
| UNLESS OTHERWISE SPECIFIED, ALL DIMENSIONS ARE IN MILLIMETERS (INCHES)        |  |   |
| TOLERANCES  | THE REPRODUCTION, DISTRIBUTION AND UTILIZATION OF THIS DOCUMENT, AS WELL AS THE COMMUNICATION OF ITS CONTENTS TO OTHERS WITHOUT EXPLICIT AUTHORIZATION IS PROHIBITED. OFFENDERS WILL BE HELD LIABLE FOR THE PAYMENT OF DAMAGES. ALL RIGHTS RESERVED IN THE EVENT OF A PATENT, UTILITY MODEL, OR DESIGN. (PER ISO 9000) |   |
| XX + REF  | DRAWN BY DATE: JJV 2-15-99   | MATERIAL/HEAT TREAT                               |
| XXX + DIM L Y   | CHECKED BY DATE: AGJ 2-15-99   |   |
| UNSPECIFIED RADI ARE  | ENGR. TRF 2-15-99  | TITLE: 2000 SERIES - TWO SPEED MOTOR INSTALLATION |
| UNSPECIFIED DRAFT ANGLES ARE  | METALLPROV BY DATE   | NUMBER: A-666-012                                 |
| DRAWING FORMAT: CASE <input type="checkbox"/> MANUAL <input type="checkbox"/> | THIRD ANGLE PROJECTION   | SCALE: 1/1 SHEET 1 OF 1                           |
|   | DO NOT SCALE   |   |