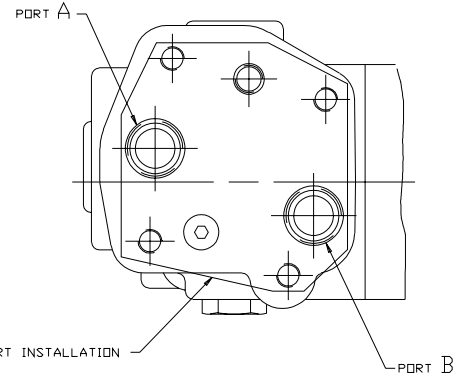
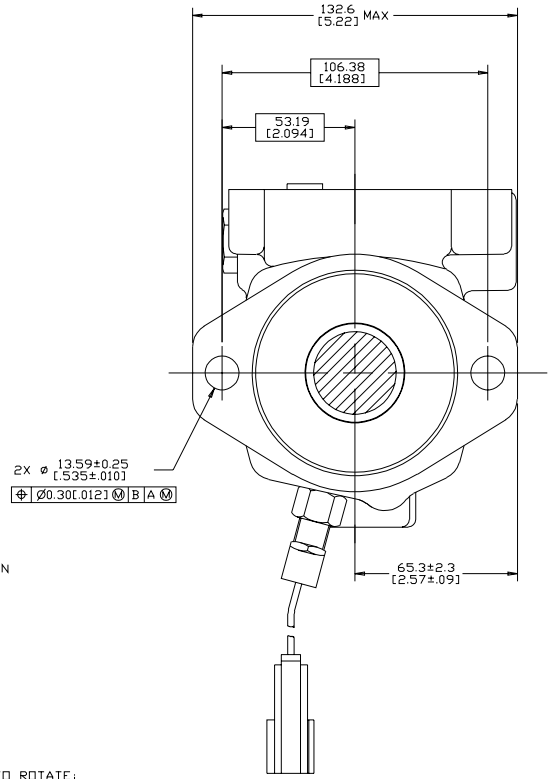
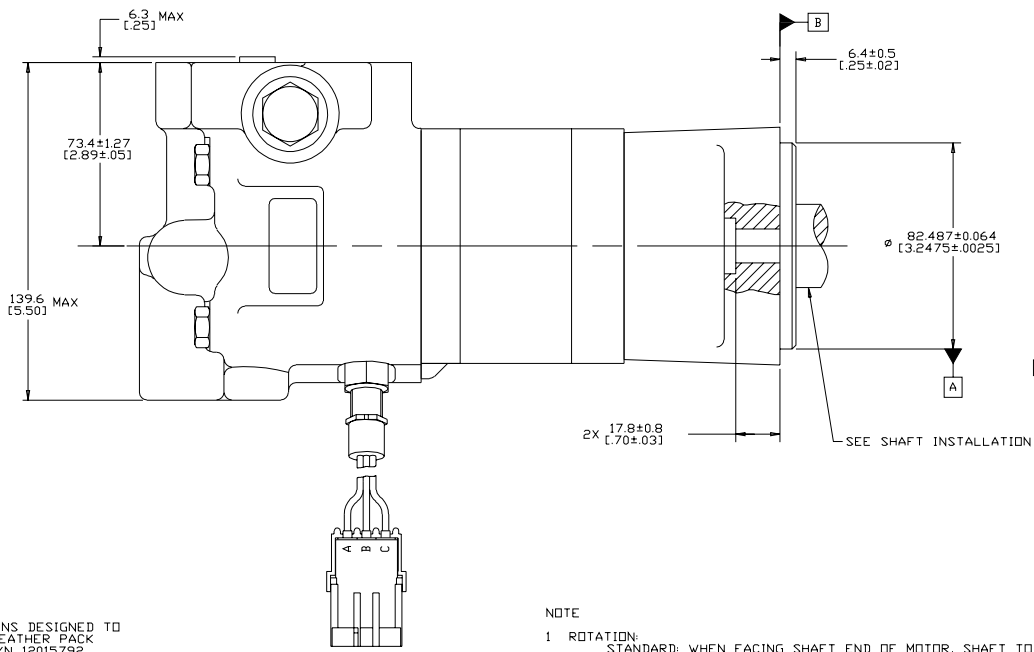
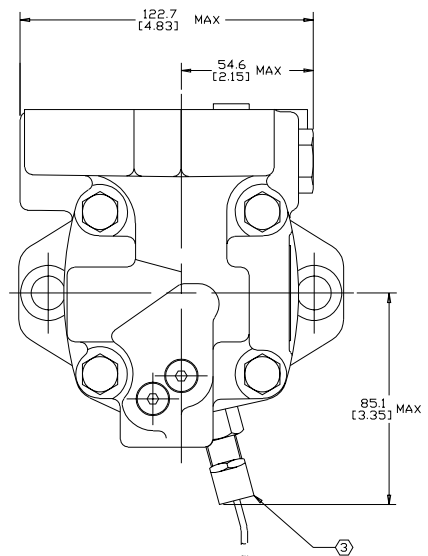


REV	DESCRIPTION	BY	CHK	DATE	ECN	MPS
A	ENGINEERING RELEASE	RAF		09-10-98		M20400
B	REVISED AS PER ASSEMBLY STACK-UP	SMT		07-26-11		M82829
C	(7B)85.(13.35) WAS 86.9C3.421	AAB		08-27-15		0066882



SEE PORT INSTALLATION



CONNECTOR PINS DESIGNED TO MATE WITH WEATHER PACK CONNECTOR P/N 12015792  
 TERMINAL P/N 12089040  
 CONTACT RATINGS: 5 AMPS MAX AT 12 VOLTS  
 (A=POWER, B=SIGNAL, C=COMMON)

- NOTE
- ROTATION:  
 STANDARD: WHEN FACING SHAFT END OF MOTOR, SHAFT TO ROTATE; CLOCKWISE WHEN PORT "A" IS PRESSURIZED  
 COUNTERCLOCKWISE WHEN PORT "B" IS PRESSURIZED  
 REVERSE: WHEN FACING SHAFT END OF MOTOR, SHAFT TO ROTATE; CLOCKWISE WHEN PORT "B" IS PRESSURIZED  
 COUNTERCLOCKWISE WHEN PORT "A" IS PRESSURIZED
  - MOUNTING TYPE: AC  
 STANDARD: 2 BOLT:  $\phi$  82.6 [3.25] PILOT  
 $\phi$  13.59 [0.535] HOLES ON  $\phi$  106.4 [4.19]  
 BOLT CIRCLE "SAE A"
  - NOMINAL SENSOR OUTPUT WILL BE 30 ELECTRICAL PULSES PER SHAFT REVOLUTION  
 SUPPLY VOLTAGE: 8 TO 28 Vdc  
 OUTPUT VOLTAGE: LOW 5 Vdc AT 10 mA; HIGH Vs-1 Vdc

REVIEWED FOR CLASSIFICATION PER ESP-042

UNLESS OTHERWISE SPECIFIED ALL DIMENSIONS ARE IN INCHES		DRAWING BASED ON ASME Y14.5M-1994	
MILLIMETERS	<input type="checkbox"/>	THE REPRODUCTION, DISTRIBUTION AND UTILIZATION OF THIS DOCUMENT AS WELL AS THE COMBINATION OF ITS CONTENTS TO OTHERS WITHOUT EXPLOIT AUTHORIZATION IS PROHIBITED. OFFENDERS WILL BE HELD LIABLE FOR THE FULFILLMENT OF DAMAGES ALL RIGHTS RESERVED IN THE EVENT OF A PATENT, UTILITY MODEL, OR DESIGN (PER ISO 10190)	
TOLERANCES	<input type="checkbox"/>		
X =	—		
XX =	—	DRAWN BY: <b>09-01-98</b>	MATERIAL/HEAT TREAT
XXX =	—	CHECKED BY: <b>03-03-98</b>	—
UNSPECIFIED RADI	—	ENG: <b>09-01-98</b>	TITLE
DRAFT ANGLES ARE:	—	REWORK/REVISION	2000 SERIES - TWO SPEED MOTOR INSTALLATION
D SIZE	—	UNSPECIFIED DIMENSIONS UNLESS OTHERWISE NOTED	NUMBER
	—	THIRD ANGLE PROJECTION	A-665-033
	—	DO NOT SCALE	SCALE
	—		1/1 SHEET 1 OF 1