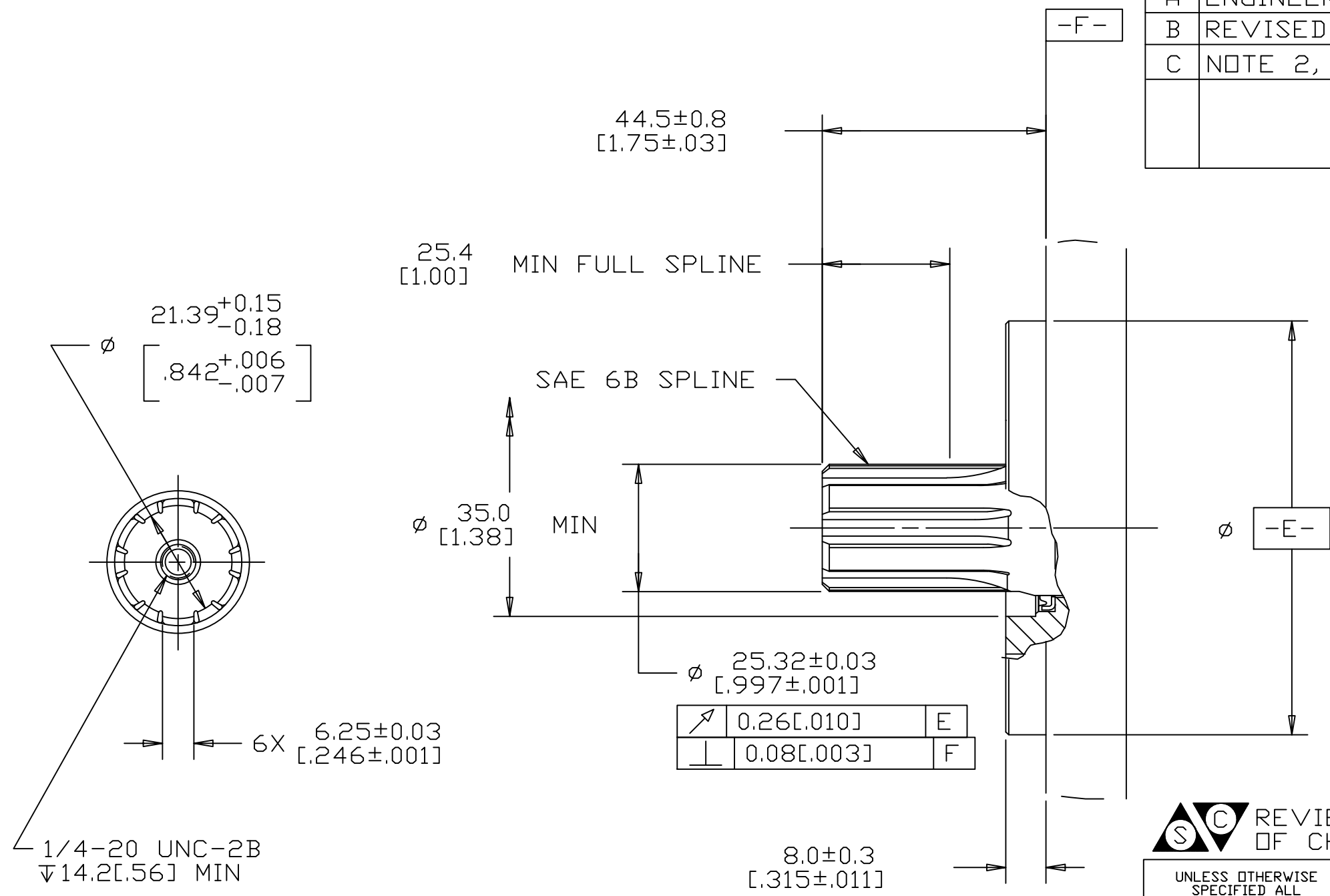


REV	DESCRIPTION	BY	CHK	DATE	ECN
A	ENGINEERING RELEASE	RAF		5/11/93	24074
B	REVISED PICTORIALY	MLL		3/19/02	38026
C	NOTE 2, MOUNTING TYPE MA WAS M	PRK	SSD	10/30/08	M74470



	0.26 [0.010]	E
	0.08 [0.003]	F

REVIEWED FOR CLASSIFICATION OF CHARACTERISTICS PER ESP-042

UNLESS OTHERWISE SPECIFIED ALL DIMENSIONS ARE IN INCHES <input type="checkbox"/> MILLIMETERS [INCHES] <input checked="" type="checkbox"/>		DRAWING BASED ON ANSI Y14.5M-1982	
TOLERANCES .X ± ---- .XX ± REF .XXX ± ONLY ∠ ± ----		THE REPRODUCTION, DISTRIBUTION AND UTILIZATION OF THIS DOCUMENT AS WELL AS THE COMMUNICATION OF ITS CONTENTS TO OTHER WITHOUT EXPLICIT AUTHORIZATION IS PROHIBITED. OFFENDERS WILL BE HELD LIABLE FOR THE PAYMENT OF DAMAGES. ALL RIGHT RESERVED IN THE EVENT OF THE GRANT OF A PATENT, UTILITY MODEL OR DESIGN. (PER ISO 16016)	
UNSPECIFIED RADII ARE ----		DRAWN BY/DATE RAF 5/24/93	MATERIAL/HEAT TREAT
UNSPECIFIED DRAFT ANGLES ARE ----		CHECKED BY/DATE AGJ 5/25/93	TITLE SHAFT INSTALLATION
DRAWING FORMAT CADD <input checked="" type="checkbox"/> MANUAL <input type="checkbox"/>		ENGRG BY/DATE RVA 5/25/93	
		METALLURGY BY/DATE	SCALE 1/1
		THIRD ANGLE PROJECTION	SHEET 1 OF 1
		DO NOT SCALE	

Danfoss

NOTE
1 OUTPUT SHAFT: OPTION 02
2 MOUNTING TYPE: OPTION MA